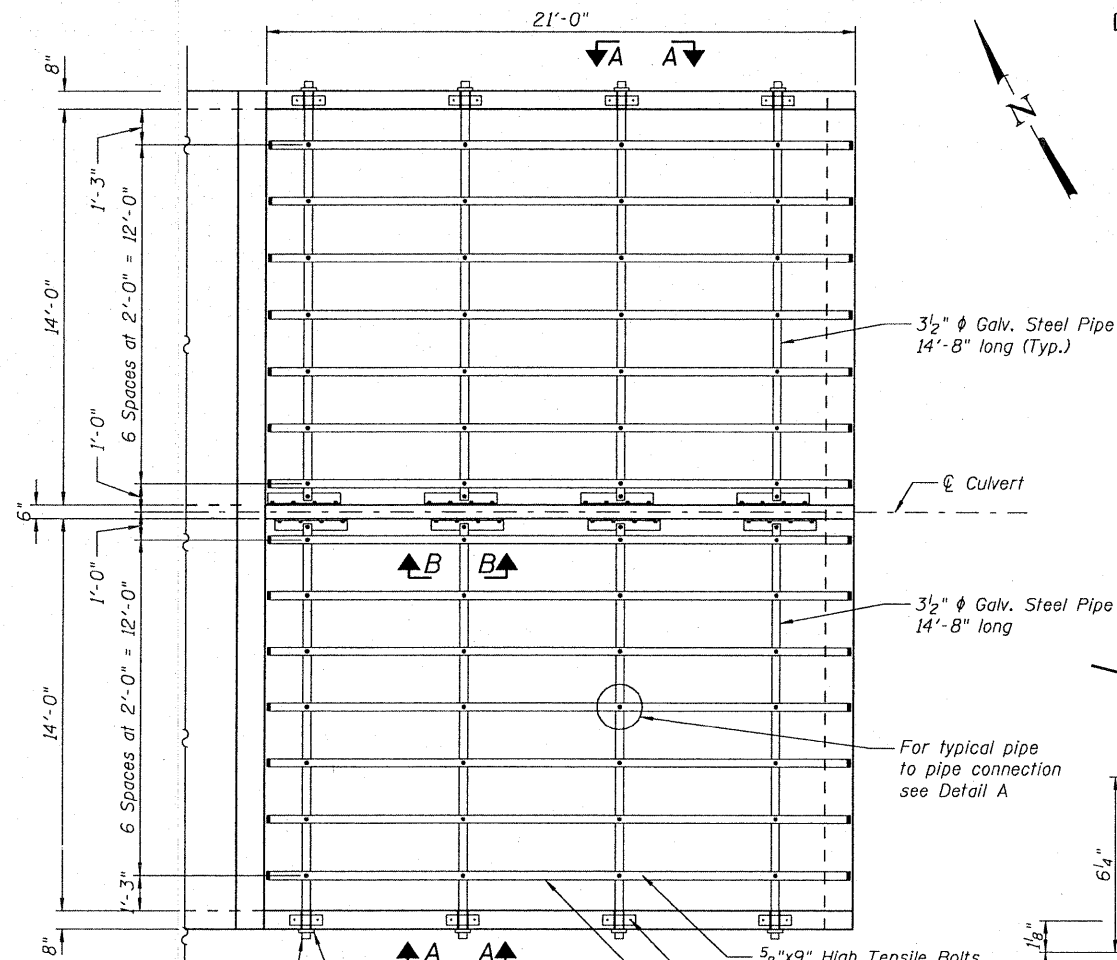


STATE OF ILLINOIS
DEPARTMENT OF TRANSPORTATION

ROUTE NO.	SECTION	COUNTY	POST MILE	SHEET
Argo Fay Road	101T-1	Carroll	31	18
SHEET NO. S-4 S-6 SHEETS				

Contract # 64979



3 1/2" ϕ Galv. Steel Pipe 14'-8" long (Typ.)

3 1/2" ϕ Galv. Steel Pipe 14'-8" long

For typical pipe to pipe connection see Detail A

5/8"x9" High Tensile Bolts with Nut & Washer (Typ.)

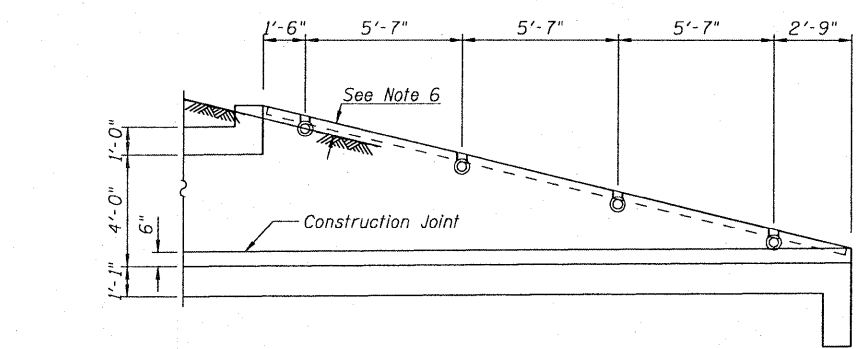
2- 1/2" ϕ Exp. Bolts (Typ.)

3" ϕ galv. steel pipe (Typ.) 21'-6" long with caps on each end

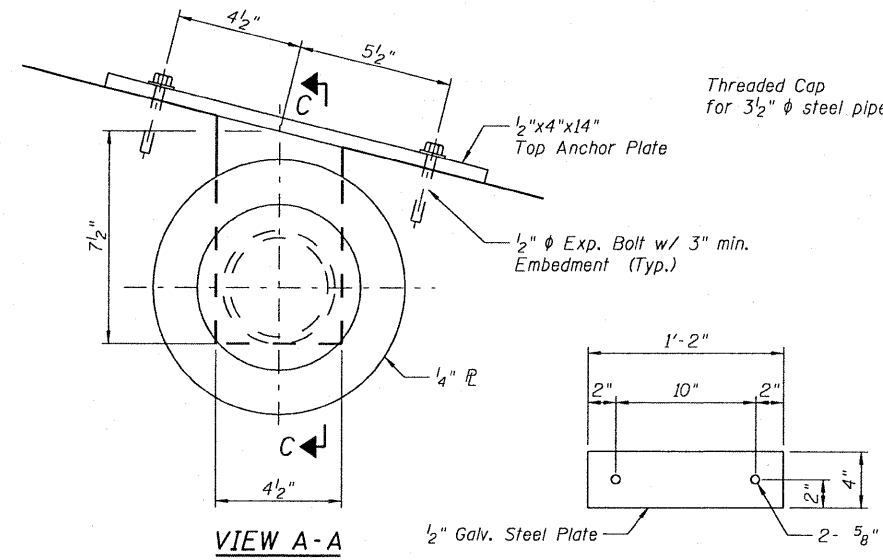
Galv. 3 1/2" ϕ Std. Steel Pipe Cap (Threaded) (Typ.)

9" square or round 1/4" Galv. Plate with hole to fit 3 1/2" ϕ pipe (Typ.)

PLAN
East End shown
West End Similar

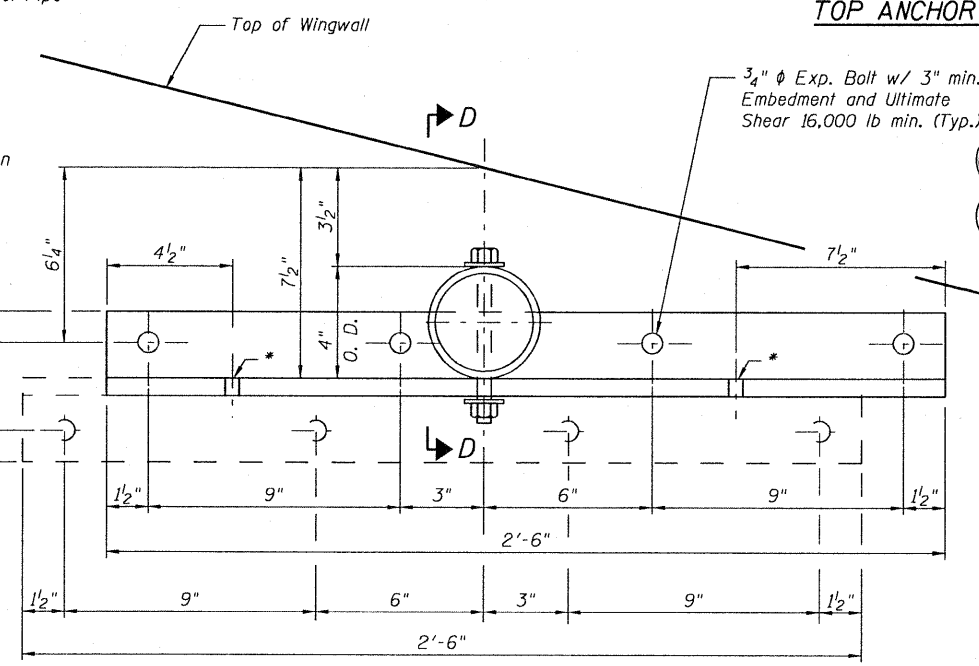


ELEVATION

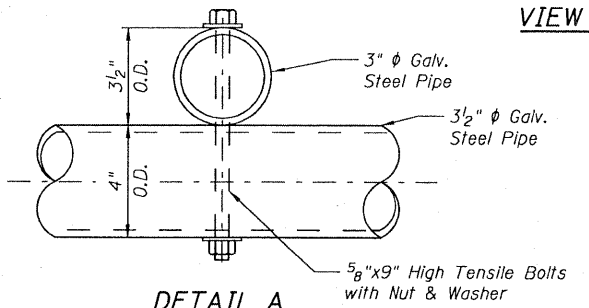


VIEW A-A

TOP ANCHOR PLATE



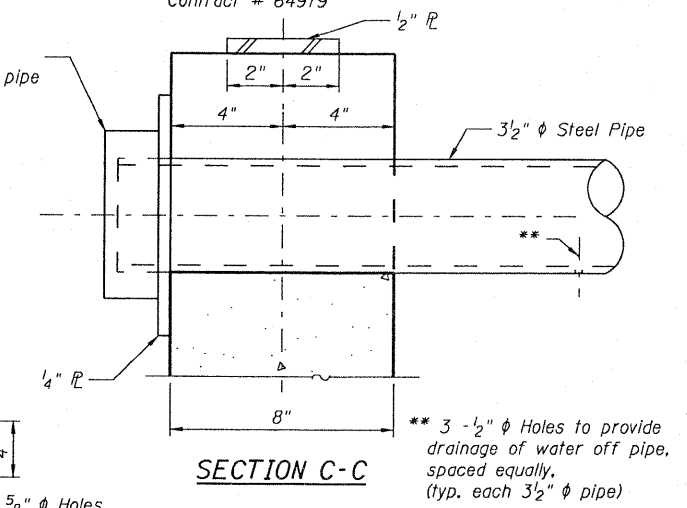
VIEW B-B



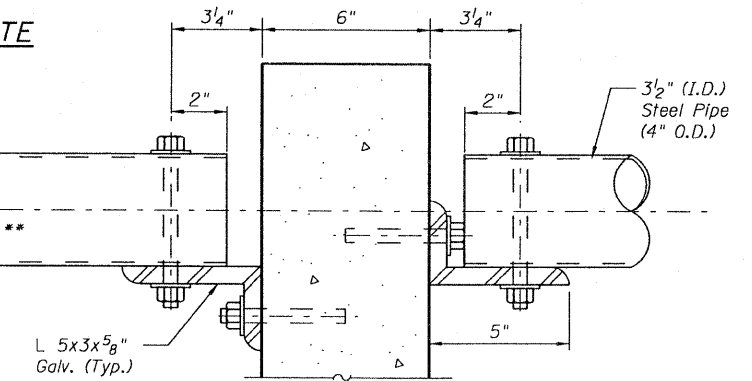
DETAIL A

BILL OF MATERIAL

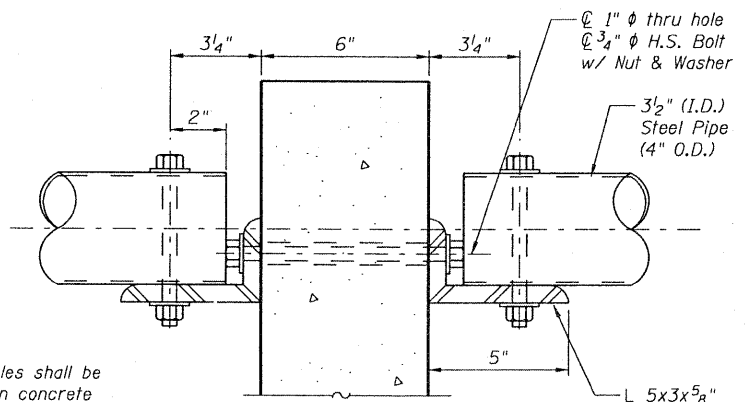
Item	Unit	Quantity
Grating for Box Culverts LOCATION 1	Each	2



SECTION C-C



SECTION D-D



SECTION D-D ALTERNATIVE

* 1/2" ϕ Hole to provide drainage of water off angle

NOTES:

- All Bolts shall have washers at each end. Holes shall be 1/16" oversized unless otherwise noted, except in concrete which shall be 1/8" oversized.
- Steel pipes shall conform to A.S.T.M. A-53 (Type E or S) Grade B, Schedule 40, & shall be galvanized conforming to A.S.T.M. A-120.
- Steel plates and angles shall conform to AASHTO M-270 Grade 36 & shall be galvanized conforming to AASHTO M-111.
- Bolts, Nuts & Washers shall be in accordance with Article 1006.08 of the Standard Specifications and shall be galvanized.
- The cost of galvanized pipes, bolts, nuts, washers, steel plates and angles is included with the pay item "Grating for Box Culverts LOCATION 1".
- The proposed grated end sections (headwalls and wingwalls) shall extend less than 4 inches above the adjacent ground elevation.

PIPE GRATING DETAILS
ARGO FAY ROAD OVER
JOHNSON CREEK TRIBUTARY
FAS 2076 (ARGO FAY ROAD)
SECTION 101T-1
CARROLL COUNTY
STA. 246+04.68
S.N. 008-2020

DESIGNED E. Mroczek
CHECKED B. Sauter
DRAWN R. Danley
CHECKED E. Mroczek

Ciorba Group, Inc.
CONSULTING ENGINEERS
5507 North Cumberland Avenue, Suite 402 Chicago, Illinois 60656
Tel. 773.775.4009 Fax 773.775.4014 Email chicago@ciorba.com

8/1/2008 enr_mroczek 3317-3317-071\design\structural\load\3317-07-04.dgn