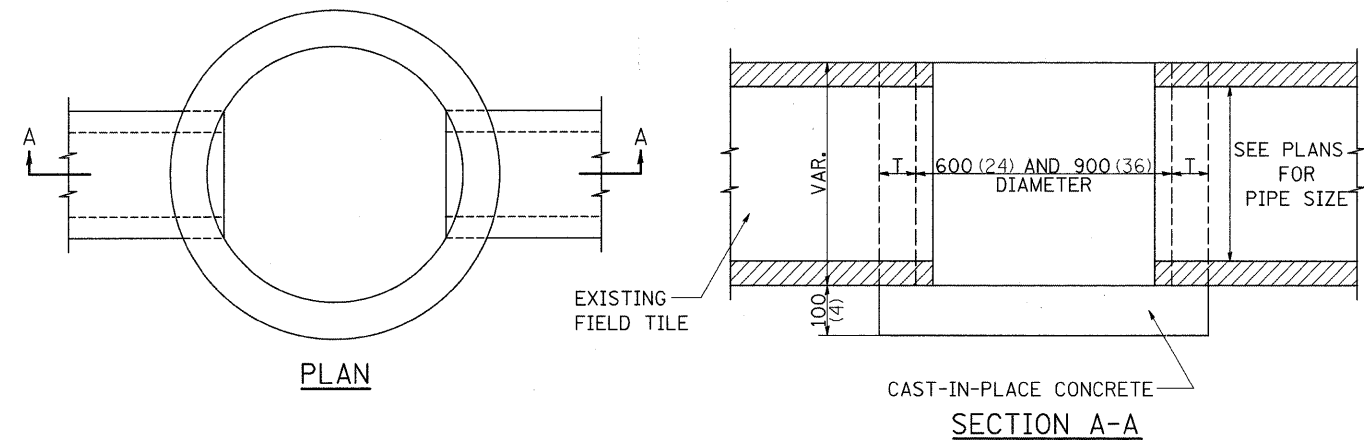
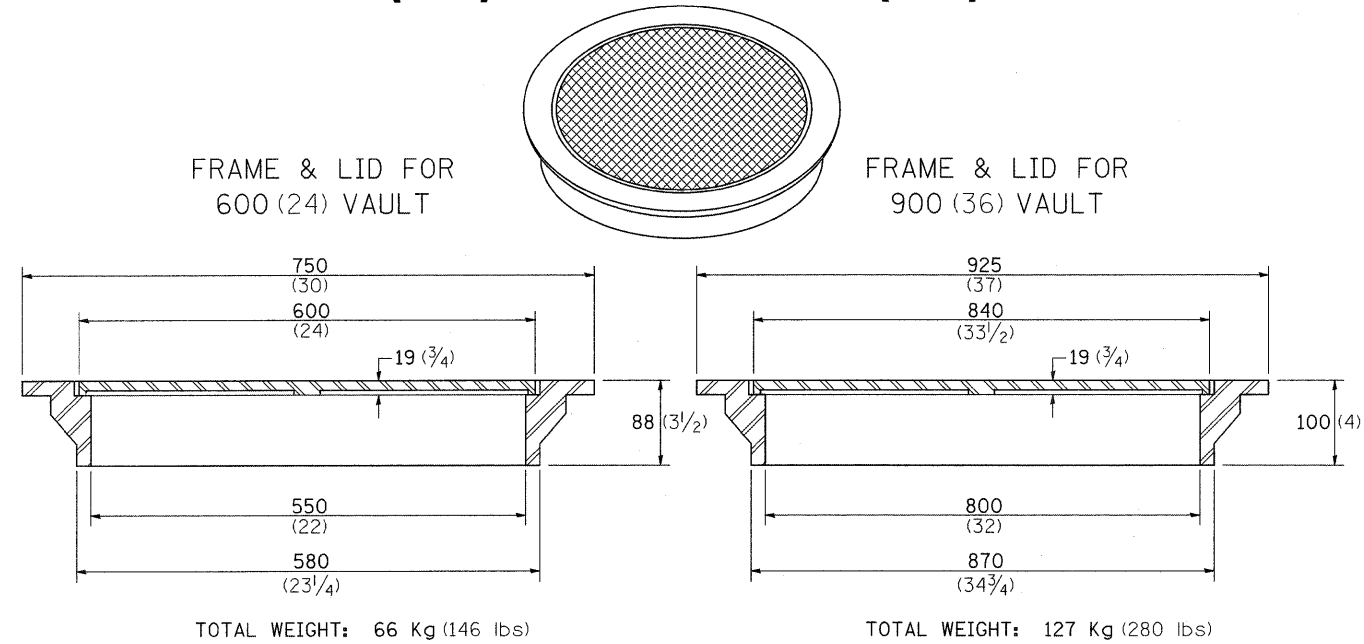


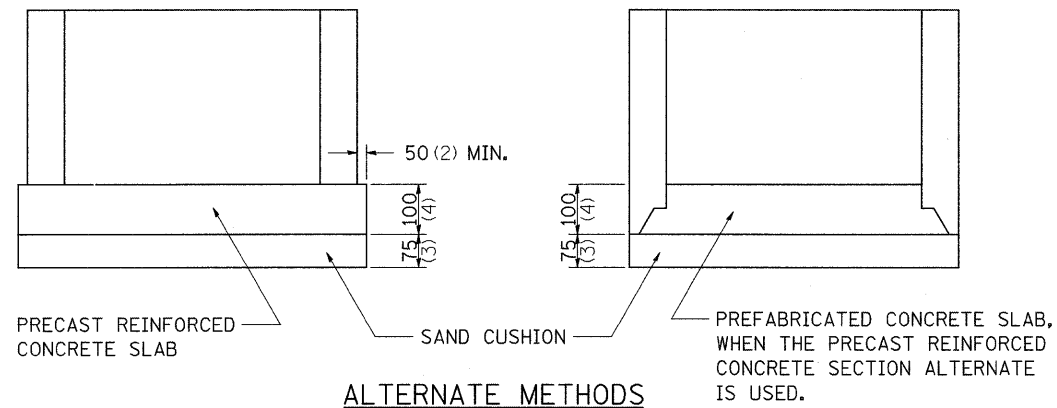
FIELD TILE JUNCTION VAULTS 600 (24) AND 900 (36) DIA.



ALTERNATE MATERIALS FOR WALLS	T
BRICK MASONRY	200 (8)
CAST-IN-PLACE CONCRETE	150 (6)
CONCRETE MASONRY UNIT	125 (5)
PRECAST REINFORCED CONCRETE SECTION	75 (3)

NOTE: THE FRAME AND LID IS REQUIRED ON ALL JUNCTION VAULTS.

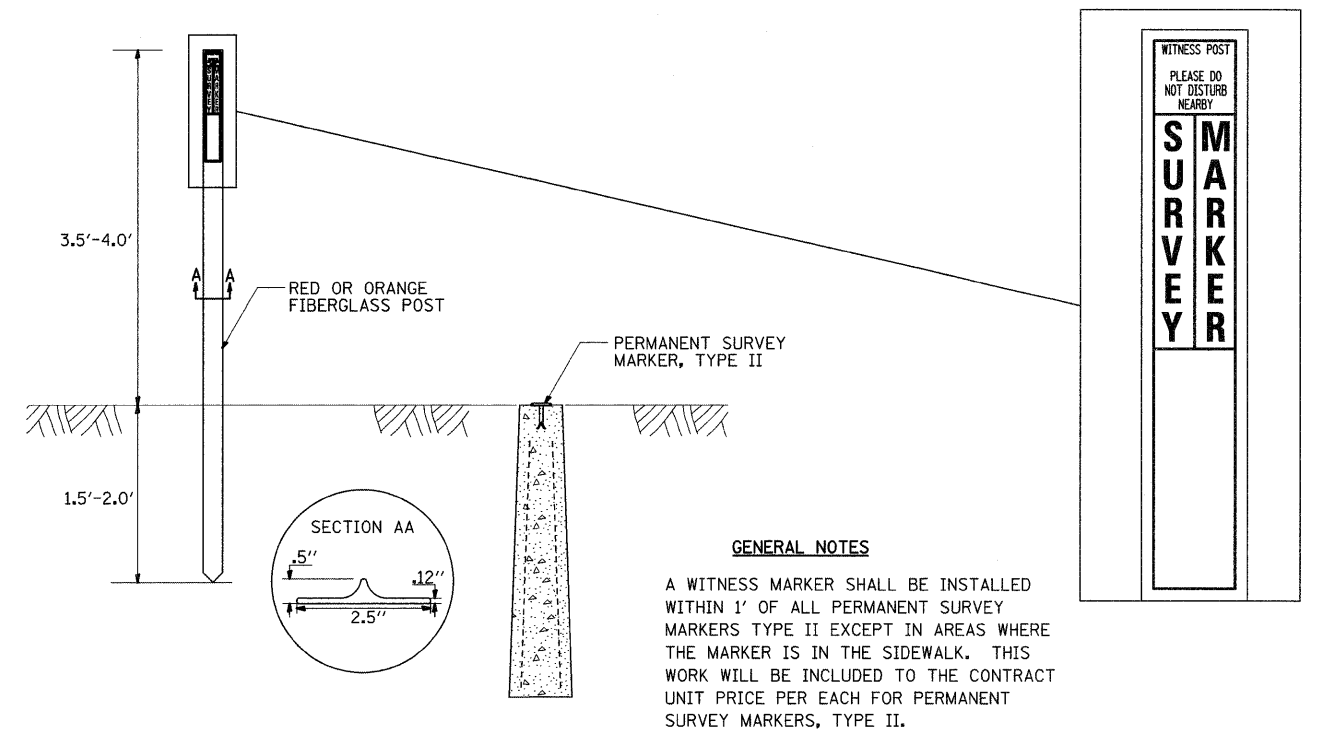
ALL DIMENSIONS ARE IN MILLIMETERS (INCHES) UNLESS OTHERWISE NOTED.



REVISED - 5-03-94

FIELD TILE JUNCTION VAULTS 600 (24) AND 900 (36) DIA. 30.2

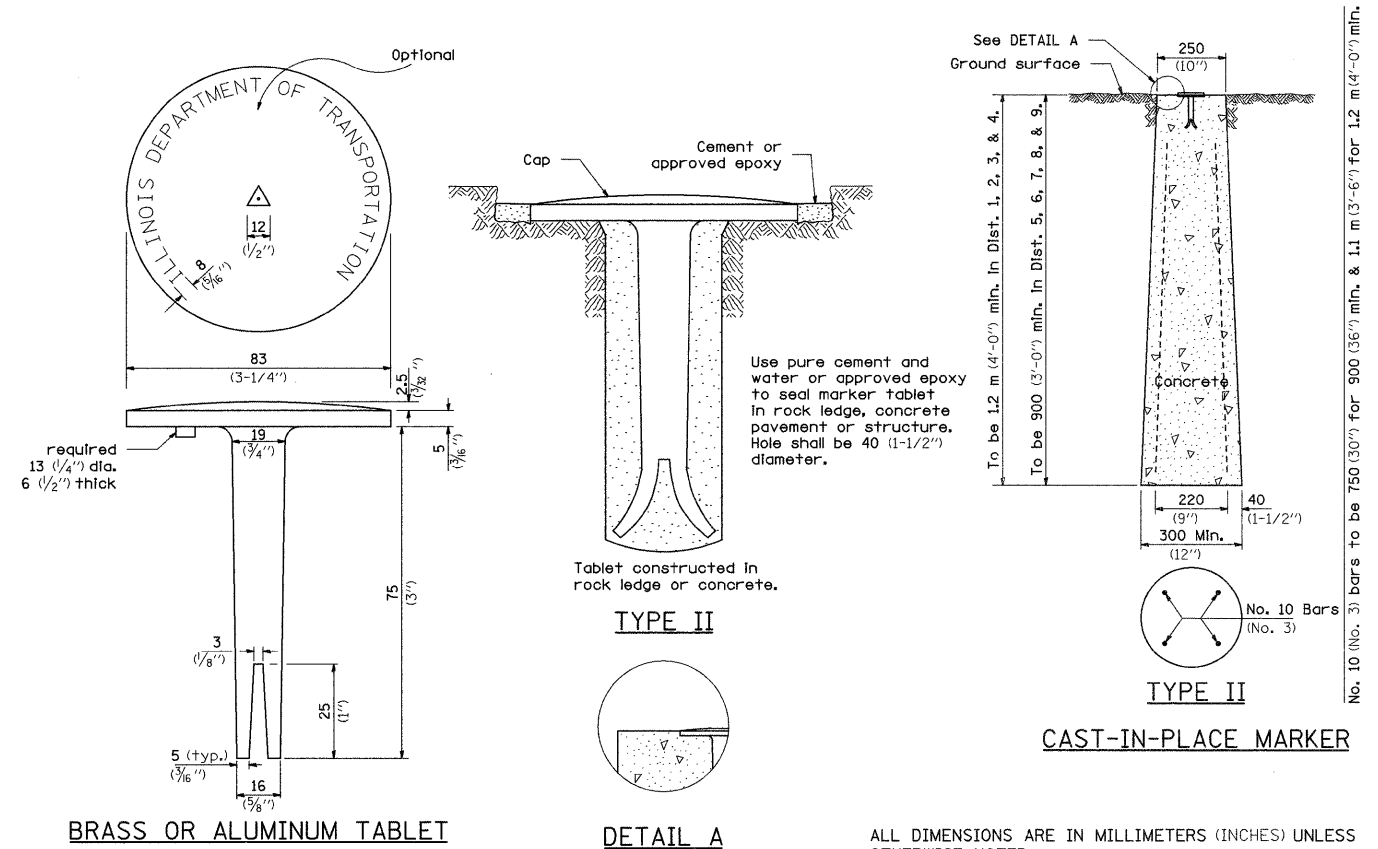
WITNESS MARKER FOR PERMANENT SURVEY MARKERS, TYPE II



GENERAL NOTES

A WITNESS MARKER SHALL BE INSTALLED WITHIN 1' OF ALL PERMANENT SURVEY MARKERS TYPE II EXCEPT IN AREAS WHERE THE MARKER IS IN THE SIDEWALK. THIS WORK WILL BE INCLUDED TO THE CONTRACT UNIT PRICE PER EACH FOR PERMANENT SURVEY MARKERS, TYPE II.

PERMANENT SURVEY MARKERS, TYPE II



Use pure cement and water or approved epoxy to seal marker tablet in rock ledge, concrete pavement or structure. Hole shall be 40 (1-1/2) diameter.

ALL DIMENSIONS ARE IN MILLIMETERS (INCHES) UNLESS OTHERWISE NOTED.

WITNESS MARKER & PERMANENT SURVEY MARKERS, TYPE II 66.2

REVISED -	REGION 2 / DISTRICT 2 STANDARD	F.A.S. RTE.	SECTION	COUNTY	TOTAL SHEETS	SHEET NO.
REVISED -		2076	101T-1	CARROLL	31	22
REVISED -	SCALE: 50.0000' / IN	SHEET NO. OF SHEETS STA. TO STA.		CONTRACT NO. 64979		
REVISED -	FED. ROAD DIST. NO. ILLINOIS FED. AID PROJECT					

PLOT DATE = Fri Aug 01 13:21:22 2008