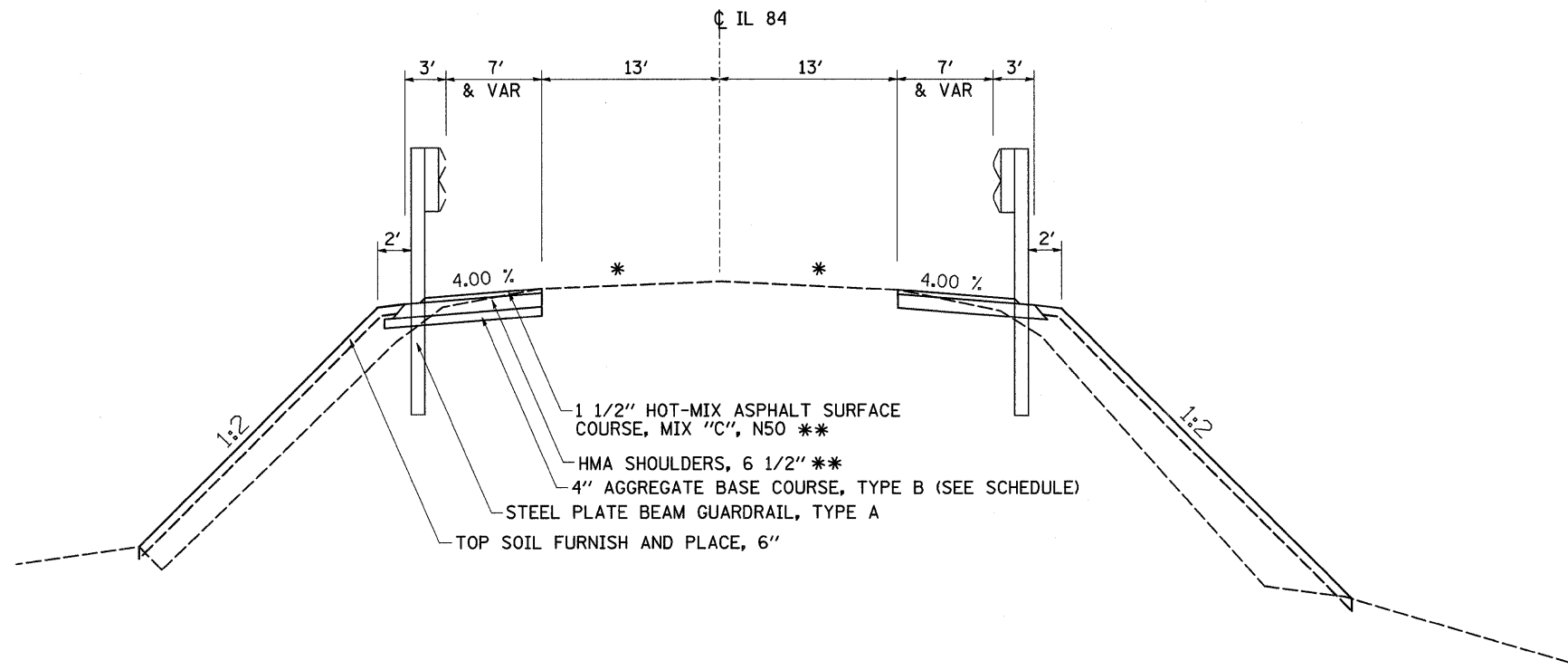


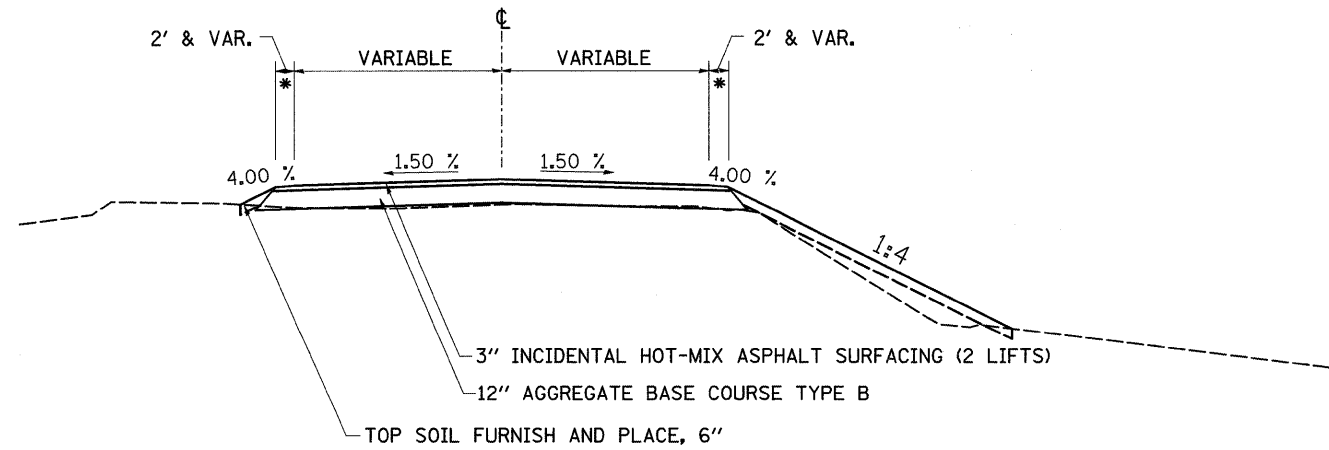
TYPICAL SECTIONS

STA. 348+55 - STA. 360+70

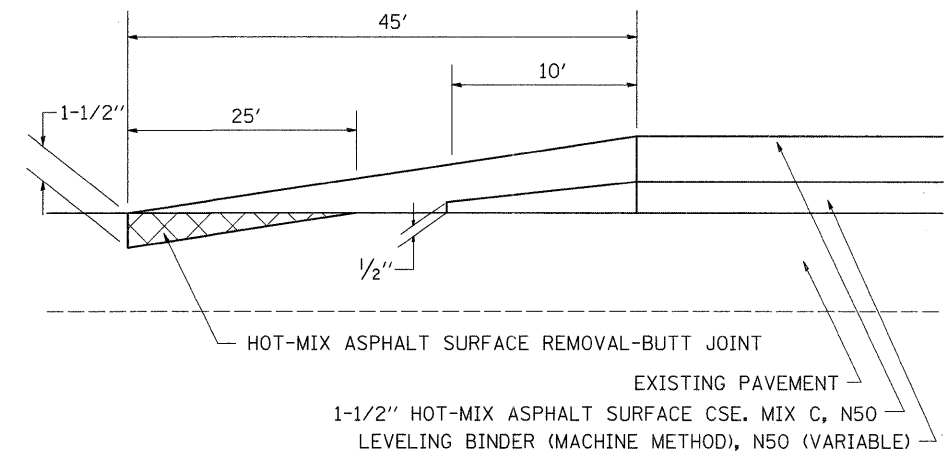


* MATCH EXISTING MAINLINE SLOPE
** 112 LB/SQ YD IN

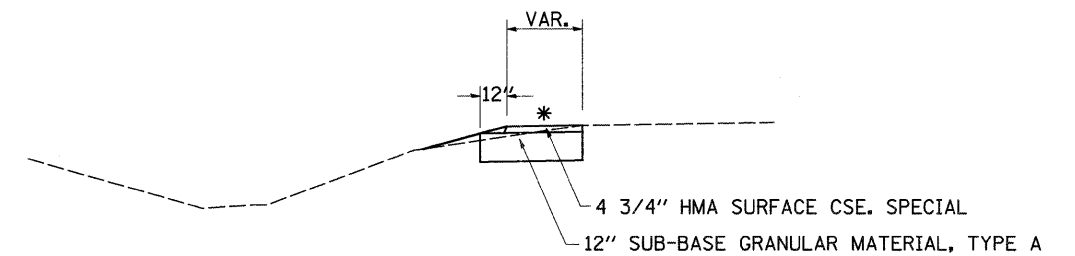
EAST EBSON RD
WEST EBSON RD



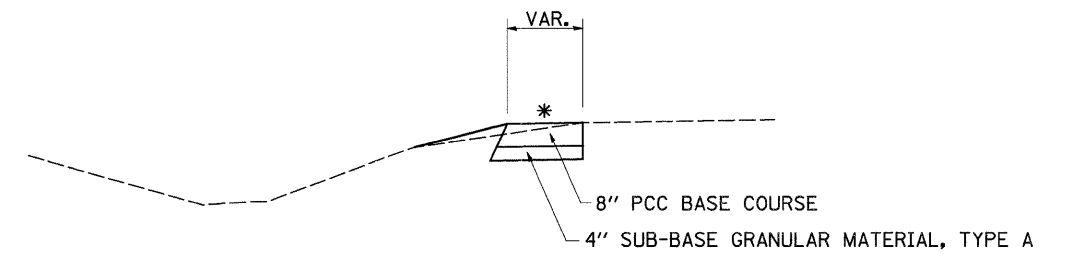
HMA SURFACE REMOVAL-BUTT JOINT TYPICAL
STA 338+55 TO STA 339+00
STA 348+55 TO STA 349+00



TEMPORARY PAVEMENT (ASPHALT OPTION)
IL 84



TEMPORARY PAVEMENT (PCC OPTION)
IL 84



FILE NAME = c:\projects\p206206\d06006typ.dgn	USER NAME = hensonke	DESIGNED -	REVISED -	STATE OF ILLINOIS DEPARTMENT OF TRANSPORTATION	TYPICAL SECTIONS			F.A.P. RTE. 308	SECTION 109BR-5	COUNTY WHITESIDE	TOTAL SHEETS 83	SHEET NO. 8
	PLOT SCALE = 50.0000' / IN.	DRAWN -	REVISED -		SCALE:	SHEET NO.	OF	SHEETS	STA.	TO STA.	FED. ROAD DIST. NO.	ILLINOIS FED. AID PROJECT
	PLOT DATE = Thu Jul 31 09:19:31 2008	CHECKED -	REVISED -									CONTRACT NO. 64C25
		DATE -	REVISED -									