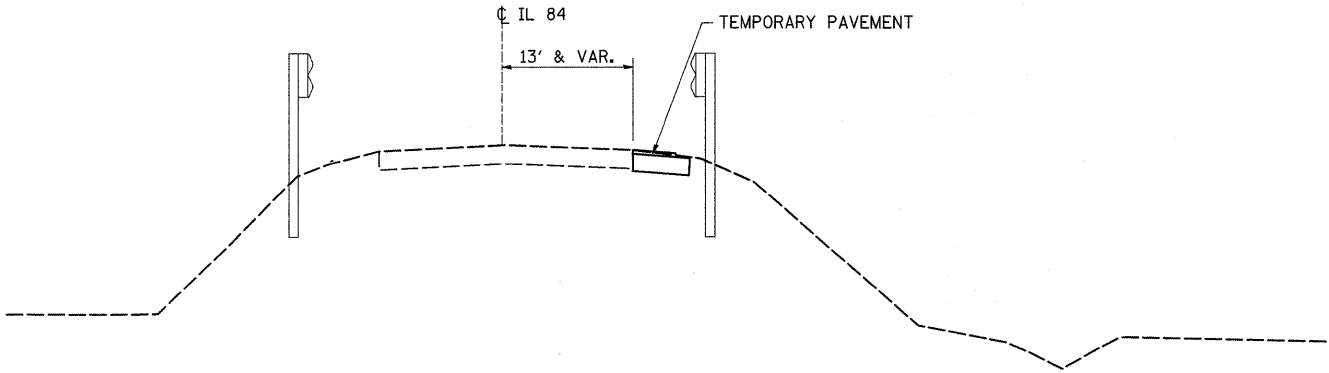


STAGING TYPICAL SECTIONS

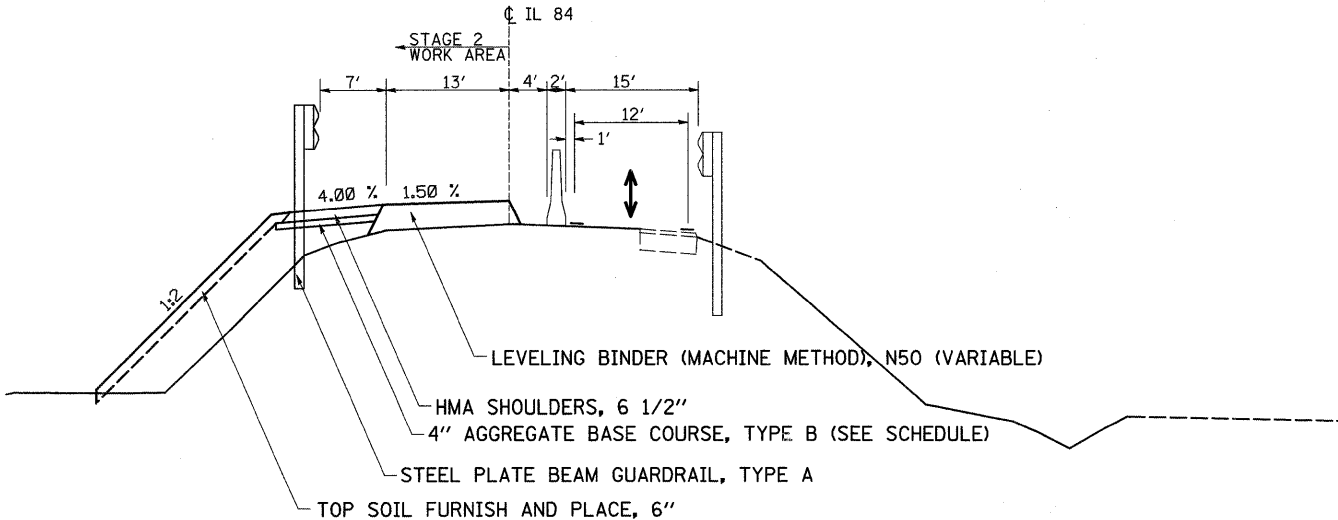
STAGE 1

STA. 341+78.90 - STA. 344+50.71
 STA. 345+70.00 - STA. 349+89.94



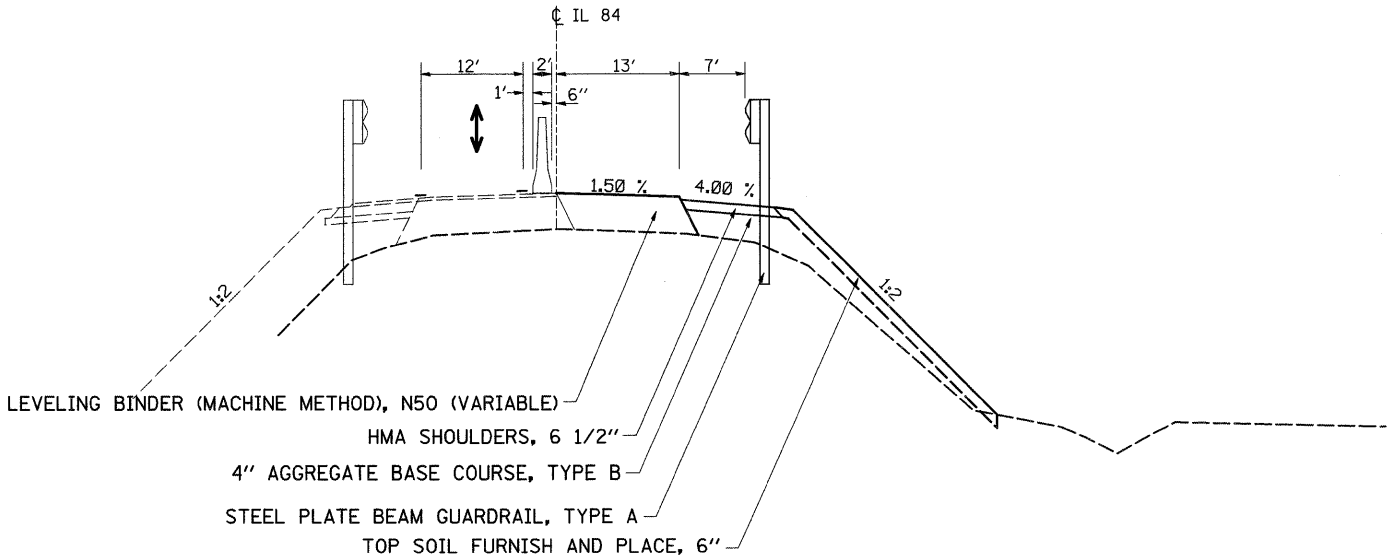
STAGE 2

STA. 342+95 - STA. 343+95
 STA. 345+58.61 - STA. 348+55



STAGE 3

STA. 342+95 - STA. 343+95
 STA. 345+58.61 - STA. 348+55



FILE NAME = c:\projects\p206006\j06006.tpd.dgn	USER NAME = hensonke	DESIGNED -	REVISED -	STATE OF ILLINOIS DEPARTMENT OF TRANSPORTATION	TYPICAL SECTIONS			F.A.P. RTE. 308	SECTION 109BR-5	COUNTY WHITESIDE	TOTAL SHEETS 83	SHEET NO. 9
	PLOT SCALE = 50.0000' / IN.	CHECKED -	REVISED -					CONTRACT NO. 64C25				
	PLOT DATE = Thu Jul 31 09:19:32 2008	DATE -	REVISED -					SCALE:	SHEET NO. OF SHEETS	STA. TO STA.	FED. ROAD DIST. NO.	ILLINOIS FED. AID PROJECT