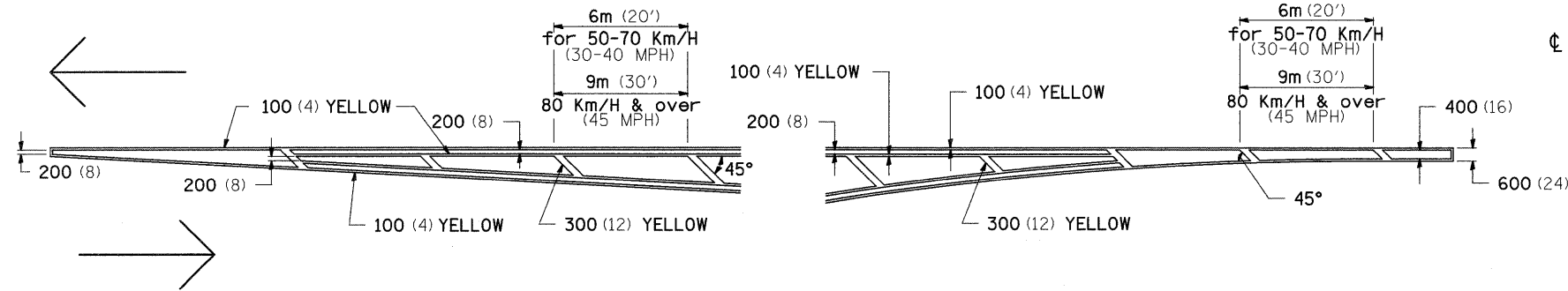
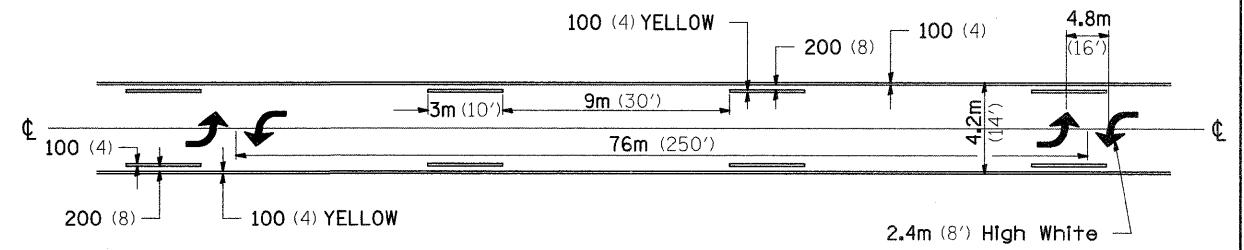


# TYPICAL PAVEMENT MARKINGS

## TYPICAL PAVEMENT MARKING FOR FLUSH MEDIAN AT LEFT TURN LANE

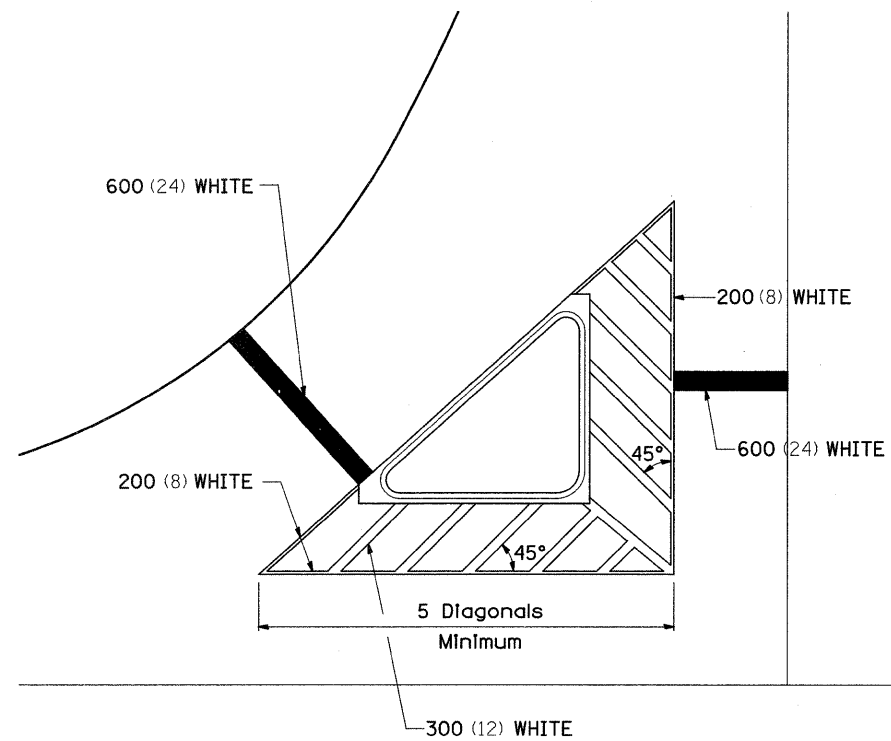


## MEDIAN PAVEMENT MARKING

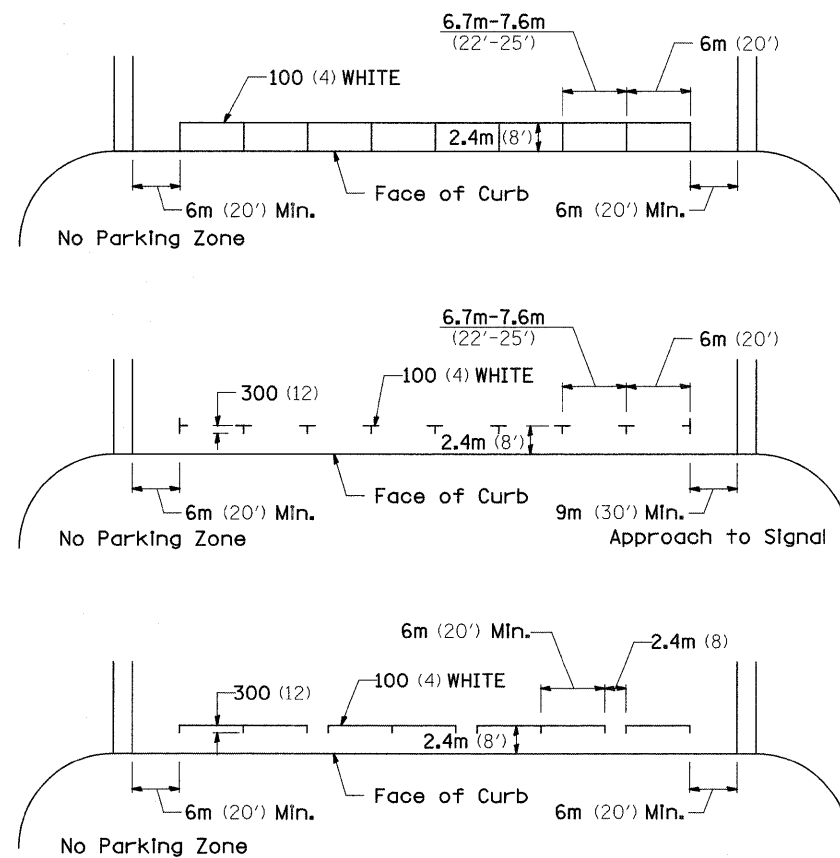


\*\* ALL DIMENSIONS ARE IN MILLIMETERS (INCHES) UNLESS OTHERWISE NOTED.

## TYPICAL ISLAND OFFSET SHOULDER WIDTH

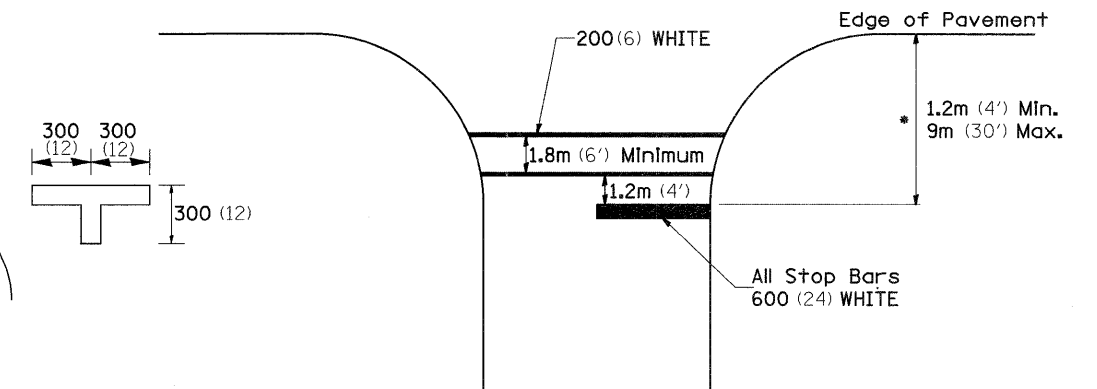


## TYPICAL PARKING SPACING



## STANDARD CROSSWALK MARKING

See Schedules for Locations



\* Distance to the nearest edge of the intersecting roadway in the absence of a marked crosswalk.

FILE NAME = c:\projects\p206006\d06006sp1.dgn	USER NAME = hensonke	DESIGNED -	REVISED - 1-11-08	<b>STATE OF ILLINOIS DEPARTMENT OF TRANSPORTATION</b>	<b>REGION 2 / DISTRICT 2 STANDARD</b>			F.A.P. RTE. 308	SECTION 109BR-5	COUNTY WHITESIDE	TOTAL SHEETS 83	SHEET NO. 68
PLOT SCALE = 50.0000' / IN.		DRAWN -	REVISED -		SCALE:			SHEET NO. OF SHEETS STA. TO STA.		CONTRACT NO. 64C25		
PLOT DATE = Thu Jul 31 14:49:17 2008		CHECKED -	REVISED -		FED. ROAD DIST. NO.			ILLINOIS FED. AID PROJECT				
DATE -		REVISOR -	REVISED -									