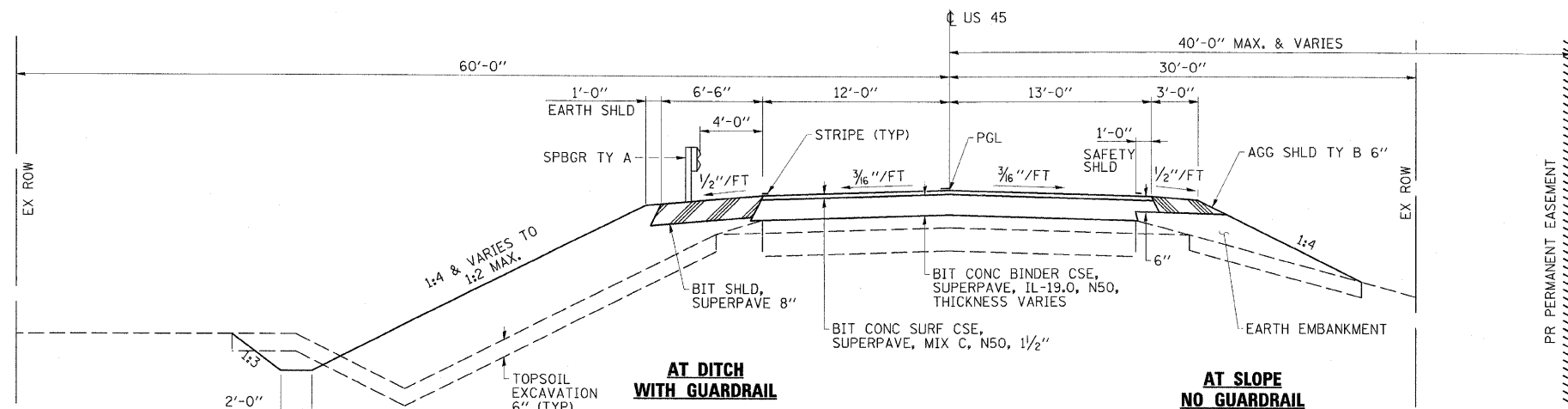
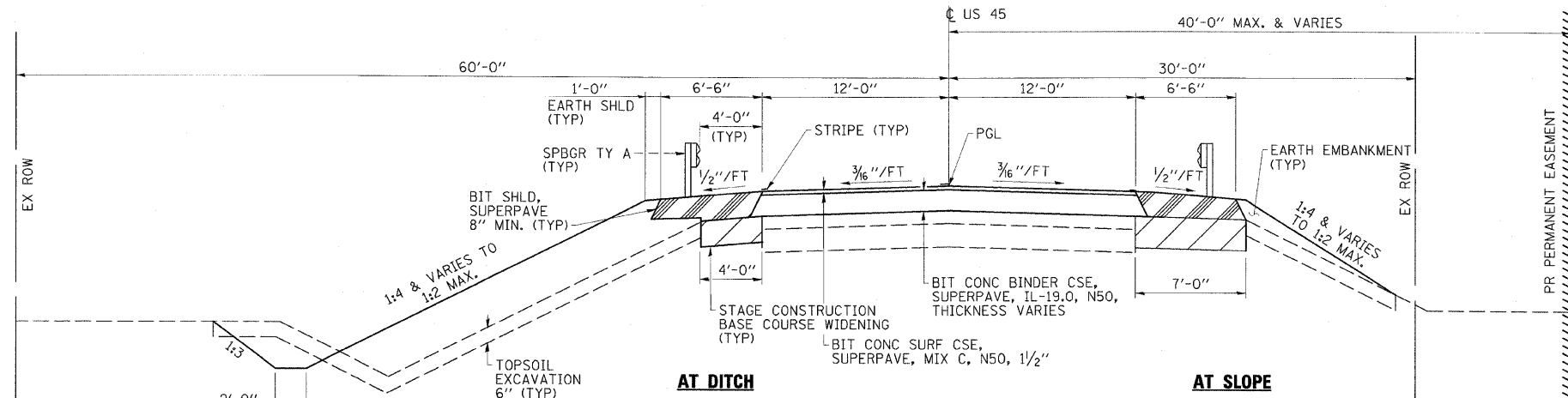


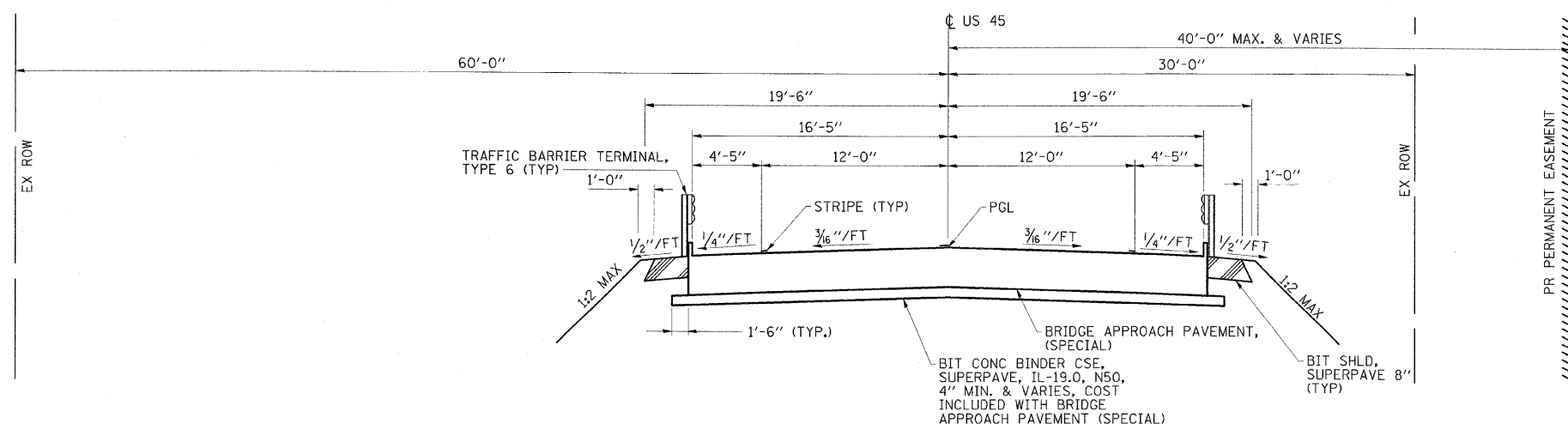
FAS RTE	SECTION	COUNTY	TOTAL SHEETS	SHEET NO.
338	34BR	IROQUOIS	49	6
STA.		TO STA.		
FED. ROAD DIST. NO.		ILLINOIS FED. AID PROJECT		



**PROPOSED TYPICAL ROADWAY SECTION**  
 STA 2130+63 TO 2143+45  
 STA 2148+55 TO 2149+49



**PROPOSED TYPICAL ROADWAY SECTION**  
 STA 2143+45 TO 2145+23  
 STA 2146+77 TO 2148+55



**AT BRIDGE APPROACH PAVEMENT**  
**PROPOSED TYPICAL ROADWAY SECTION**  
 STA 2145+23 TO 2146+77  
 BRIDGE OMISSION STA 2145+53 TO 2146+47

TYPICAL SECTIONS  
 FAS ROUTE 338 (US 45)  
 SECTION 34BR  
 IROQUOIS COUNTY

**ESCA**  
 CONSULTANTS, INC.

DESIGNED BY:	ELH	8/05
DRAWN BY:	HAG	8/05
CHECKED BY:	ELH	04/06
APPROVED BY:	RDP	04/06