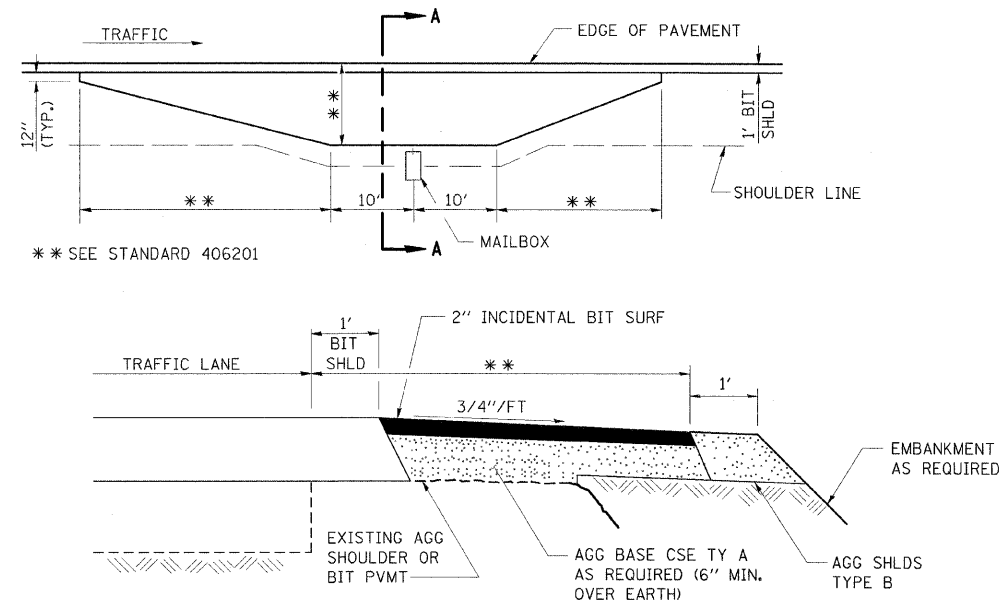
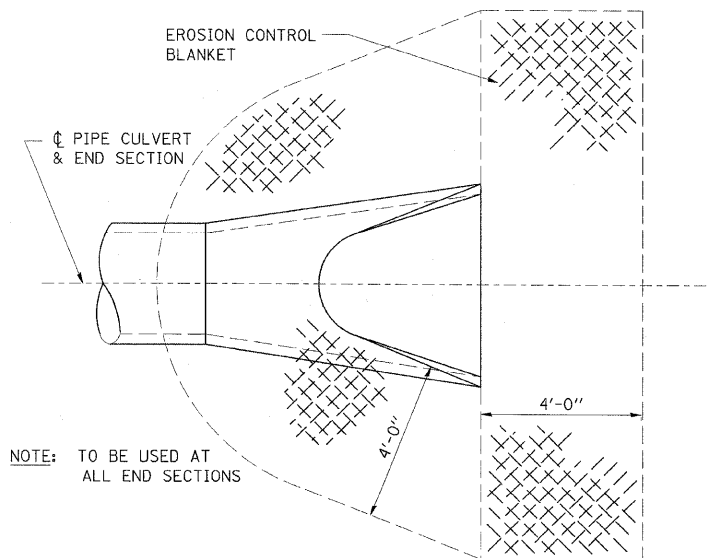
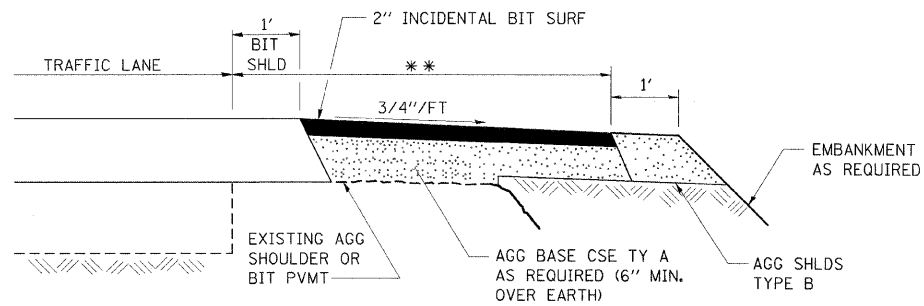


FAS RTE	SECTION	COUNTY	TOTAL SHEETS	SHEET NO.
338	34BR	IROQUOIS	49	21
STA.		TO STA.		
FED. ROAD DIST. NO.		ILLINOIS FED. AID PROJECT		



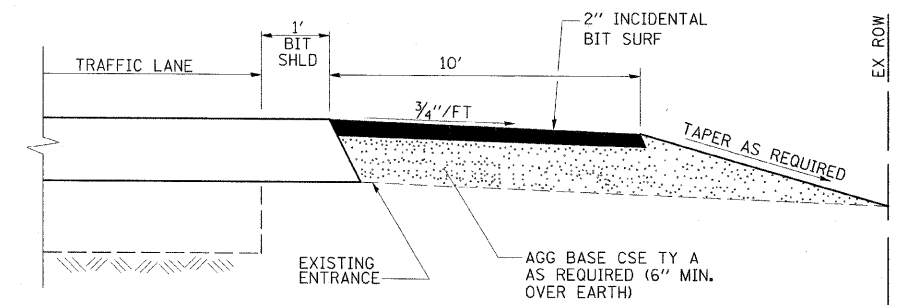
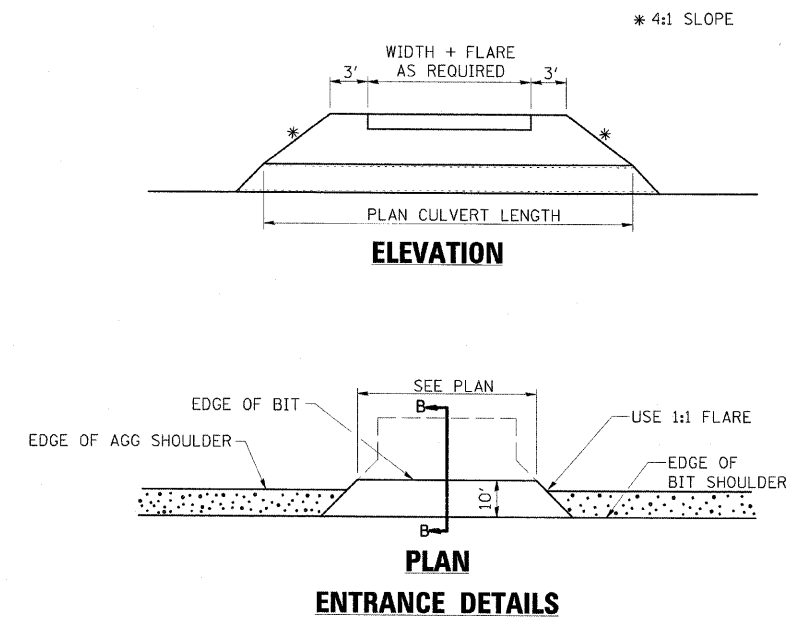
**SECTION A-A
MAILBOX TURNOUT DETAILS**



NOTE: TO BE USED AT ALL END SECTIONS

**DETAIL OF EROSION CONTROL BLANKET
LINING AROUND END SECTION**

NOTE: PRC FLARED END SECTION SHOWN. TREATMENT SAME FOR OTHER END SECTIONS.



SECTION B-B

MISCELLANEOUS DETAILS
FAS RTE 338 (US 45)
SECTION 34BR
IROQUOIS COUNTY

ESCA
CONSULTANTS, INC.

DESIGNED BY:	ELH	07/05
DRAWN BY:	JDK	07/05
CHECKED BY:	ELH	04/06
APPROVED BY:	RDP	04/06