

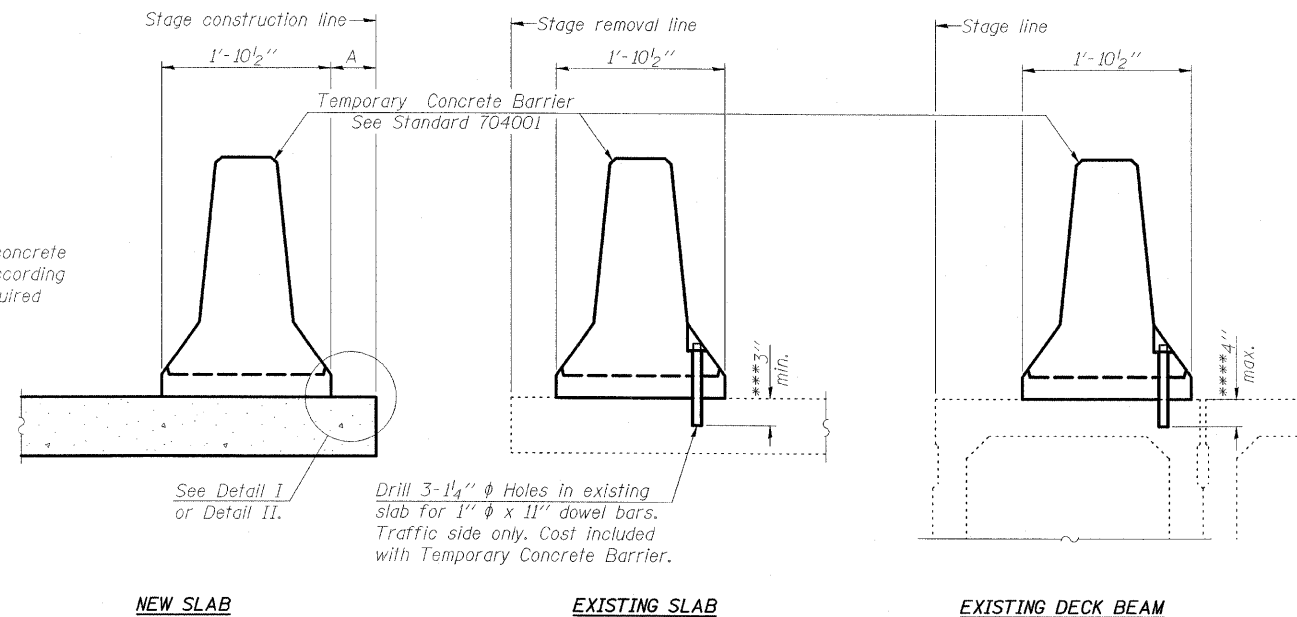
ROUTE NO.	SECTION	COUNTY	TOTAL SHEETS	SHEET NO.
FAS 338	34BR	IROQUOIS	49	27
STA.	TO STA.			
FED. ROAD DIST. NO. 3	ILLINOIS	FED. AID PROJECT-		
DWG. NO. 4 OF 13				

CONTRACT NO. 66610

**STRUCTURE INDEX OF SHEETS**

General Plan	Dwg. No. 1 of 13
General Data	Dwg. No. 2 of 13
Stage Construction Details	Dwg. No. 3 of 13
Temporary Concrete Barrier	Dwg. No. 4 of 13
Top of Slab Elevations	Dwg. No. 5 of 13
Superstructure	Dwg. No. 6 of 13
Superstructure Details	Dwg. No. 7-8 of 13
Abutments	Dwg. No. 9 of 13
Piers	Dwg. No. 10 of 13
Metal Shell Pile Details	Dwg. No. 11 of 13
Bar Splicer Assembly Details	Dwg. No. 12 of 13
Soil Borings	Dwg. No. 13 of 13

When "A" is 3'-6" or less, the temporary concrete barrier shall be anchored to the new slab according to Detail I or Detail II. No anchorage is required when "A" is greater than 3'-6".



**NEW SLAB**

**EXISTING SLAB**

**EXISTING DECK BEAM**

**SECTIONS THRU SLAB OR DECK BEAM**

**NOTES**

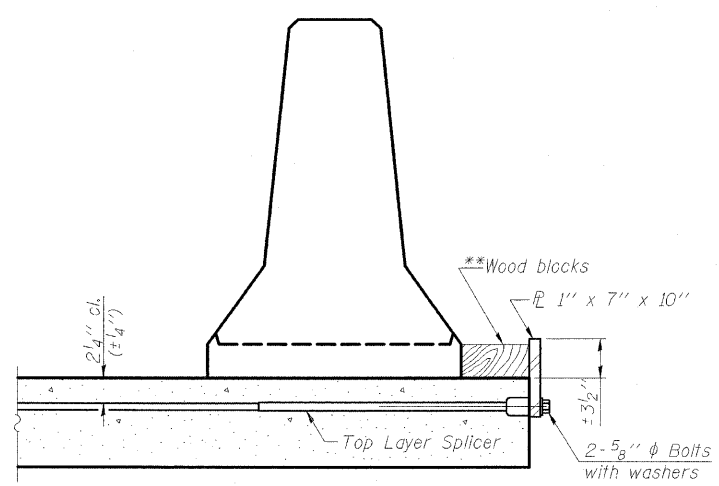
**Detail I - With Bar Splicer or Couplers:**  
Connect one (1) 1"x7"x10" steel  $\bar{P}$  to the top layer of couplers with 2-5/8"  $\phi$  bolts screwed to coupler at approximate  $\bar{C}$  of each barrier panel.

**Detail II - With Extended Reinforcement Bars:**  
Connect one (1) 1"x7"x10" steel  $\bar{P}$  to the concrete slab or concrete wearing surface with 2-5/8"  $\phi$  Expansion Anchors or cast in place inserts spaced between the top layer of reinforcement at approximate  $\bar{C}$  of each barrier panel.

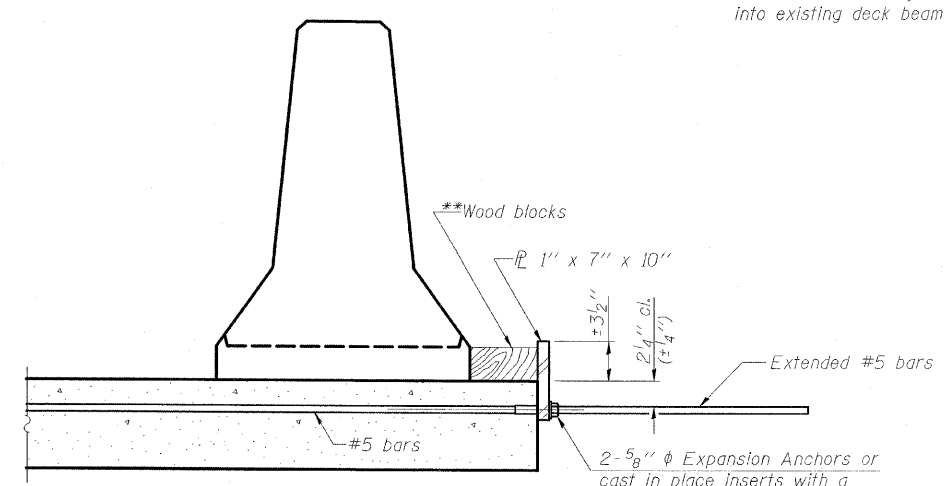
Cast of anchorage is included with Temporary Concrete Barrier. The 1" x 7" x 10" plate shall not be removed until stage II construction forms and all reinforcement bars are in place and the concrete is ready to be placed.

\*\*\*Dimension shown is minimum required embedment into concrete. If hot-mix asphalt wearing surface is present, minimum embedment shall be in addition to wearing surface depth.

\*\*\*If existing deck beam is to remain in place after stage construction, embedment shall only be into wearing surface and not into existing deck beam concrete.

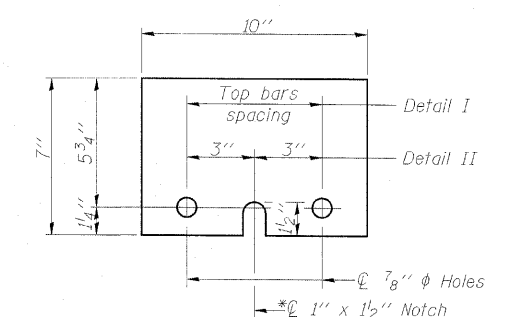


**DETAIL I**



**DETAIL II**

\*\*Wood blocks may be omitted when required to provide minimum stage traffic lane width. When the wood blocks are omitted, the concrete barrier shall be in direct contact with the steel retainer plate.



**STEEL RETAINER  $\bar{P}$  1" x 7" x 10"**  
\*Required only with Detail II

**ESCA**  
CONSULTANTS, INC.

DESIGNED BY:	ELH	12/04
DRAWN BY:	HAG	12/04
CHECKED BY:	ELH	09/08
APPROVED BY:	RDP	09/08

R-27

5-16-08

**TEMPORARY CONCRETE BARRIER  
FOR STAGE CONSTRUCTION  
US ROUTE 45 OVER  
SPRING CREEK  
FAS ROUTE 338 - SECTION 34BR  
IROQUOIS COUNTY  
STATION 2146+00  
STRUCTURE NO. 038-0214**