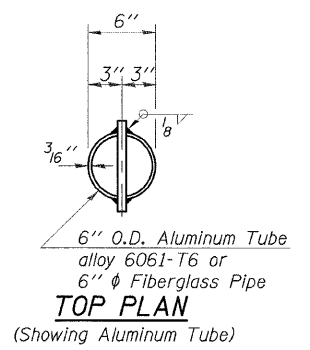
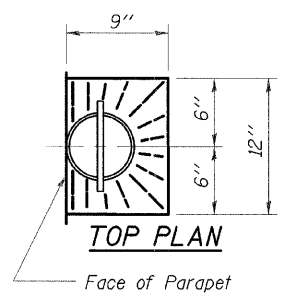
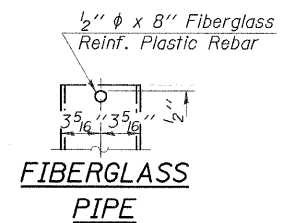
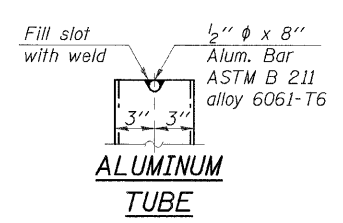


ROUTE NO.	SECTION	COUNTY	TOTAL SHEETS	SHEET NO.
FAS 338	34BR	IROQUOIS	49	31
STA	TO STA			
FED. ROAD DIST. NO. 3	ILLINOIS	FED. AID PROJECT-		

DWG. NO. 8 OF 13
CONTRACT NO. 66610

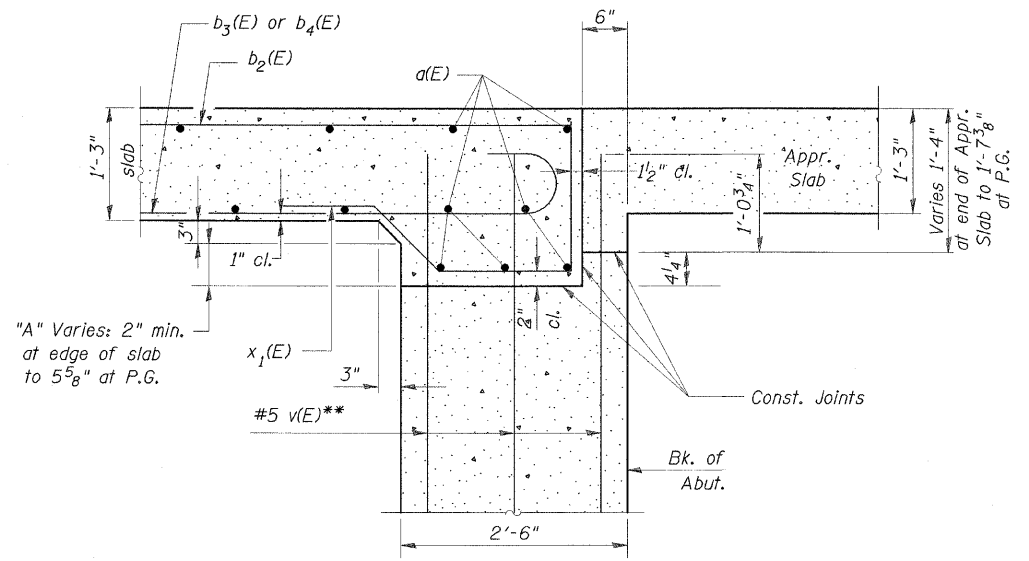
STRUCTURE INDEX OF SHEETS

General Plan	Dwg. No. 1 of 13
General Data	Dwg. No. 2 of 13
Stage Construction Details	Dwg. No. 3 of 13
Temporary Concrete Barrier	Dwg. No. 4 of 13
Top of Slab Elevations	Dwg. No. 5 of 13
Superstructure	Dwg. No. 6 of 13
Superstructure Details	Dwg. No. 7-8 of 13
Abutments	Dwg. No. 9 of 13
Piers	Dwg. No. 10 of 13
Metal Shell Pile Details	Dwg. No. 11 of 13
Bar Splicer Assembly Details	Dwg. No. 12 of 13
Soil Borings	Dwg. No. 13 of 13



FLOOR DRAIN DETAILS

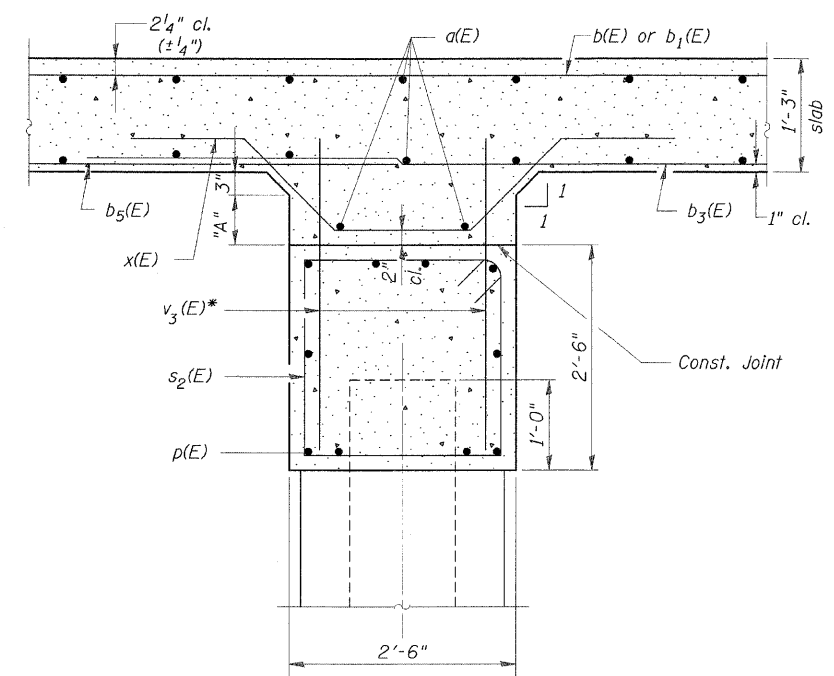
Notes:
Fiberglass pipe shall conform to ASTM D2996, with short-time rupture strength hoop tensile stress of 30,000 p.s.i. minimum. The surface of the Fiberglass pipe shall be free of bond inhibiting agents.
The exterior surfaces of the Fiberglass Floor Drains shall be cleaned and given a washcoat pretreatment in accordance with Steel Structures Painting Council's Spec. SSPC-SPI & SSPC-Paint 27 prior to painting with a vinyl enamel coat. The color shall be light grey Munsell No. 10Y 7/1. Painting of the Fiberglass Floor Drains will not be required when the exterior surfaces of the furnished drains are coated by the manufacturer with a pigment that matches the color of the concrete slab.



** v(E) bars billed with abutments
See Dwg. No. 9 of 13.

DIMENSION "A"

	Pier 1	Pier 2
West edge of superstructure	2"	2"
West edge of roadway	3 3/8"	3 3/8"
Center Roadway & P.G.	5 5/8"	5 5/8"
East edge of roadway	3 3/8"	3 3/8"
East edge of superstructure	2"	2"



* v3(E) bars billed with piers
See Dwg. No. 10 of 13.

SUPERSTRUCTURE DETAILS
US ROUTE 45 OVER
SPRING CREEK
FAS ROUTE 338 - SECTION 34BR
IROQUOIS COUNTY
STATION 2146+00
STRUCTURE NO. 038-0214

ESCA
CONSULTANTS, INC.

DESIGNED BY:	ELH	12/04
DRAWN BY:	HAG	12/04
CHECKED BY:	ELH	04/06
APPROVED BY:	RDP	04/06