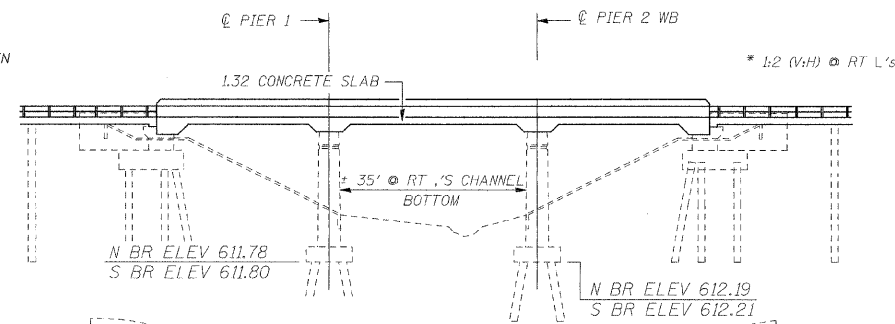


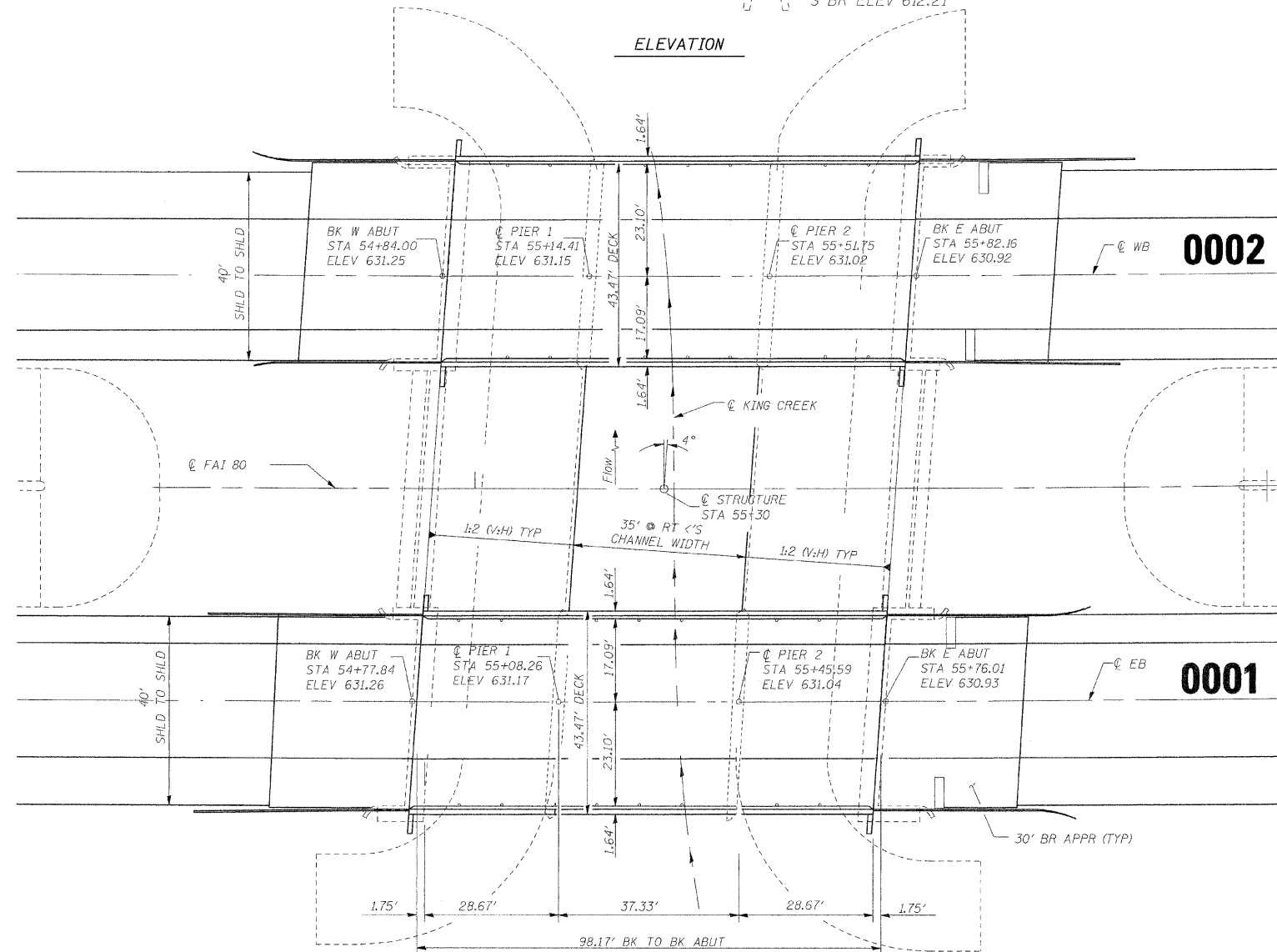
EXISTING STRUCTURE

THE EXISTING STRUCTURE CONSISTS OF A 3 SPAN CONTINUOUS CONCRETE SLAB W/SOLID FACE PIERS ON SPREAD FOOTINGS W/TIMBER PILING.

IT HAS A 98'-2" BACK TO BACK ABUTMENT LENGTH ALONG C OF ROADWAY. THE STRUCTURE IS TO REMAIN IN PLACE WITH PROPOSED REPAIRS.



ELEVATION



PLAN

GENERAL NOTES

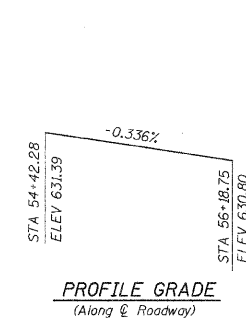
- 1.) PLAN DIMENSIONS AND DETAILS RELATIVE TO EXISTING PLANS ARE SUBJECT TO ROUTINE VARIATION. THE CONTRACTOR SHALL FIELD VERIFY EXISTING DIMENSIONS AND DETAILS AFFECTING NEW CONSTRUCTION AND MAKE NECESSARY APPROVED ADJUSTMENTS PRIOR TO CONSTRUCTION OR ORDERING OF MATERIALS. SUCH VARIATIONS SHALL NOT BE CAUSE FOR ADDITIONAL COMPENSATION FOR A CHANGE IN SCOPE OF THE WORK, HOWEVER, THE CONTRACTOR WILL BE PAID FOR THE QUANTITY ACTUALLY FURNISHED BASED UPON THE UNIT PRICE BID FOR THE WORK.
- 2.) LAYOUT OF THE SLOPE PROTECTION SYSTEM MAY BE VARIED TO SUIT GROUND CONDITIONS IN THE FIELDS AS DIRECTED BY THE ENGINEER.

PROPOSED WORK

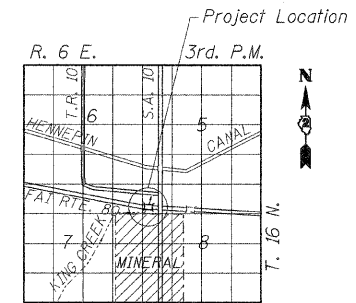
- 1.) CHANNEL EXCAVATION
- 2.) PLACEMENT OF SCOUR COUNTERMEASURE

EXISTING CONDITIONS

(TO BE USED FOR BLOCK DESIGN)
 STREAM SLOPE 14.5 FT/MILE
 MAX DESIGN VELOCITY 4 FT / SEC
 SHEAR STRESS OF EXISTING SOIL 0.25 TONS/SQ FT



PROFILE GRADE
(Along C Roadway)



LOCATION SKETCH
(NTS)

TOTAL BILL OF MATERIALS		
ITEM	UNIT	TOTAL
ARTICULATED BLOCK REVETMENT MAT	SQ YDS	975
GEOTECHNICAL FABRIC (SPECIAL)	SO YDS	946
CHANNEL EXCAVATION	CU YDS	986
BEDDING MATERIAL (SPECIAL)	CU YDS	173
SLOPE WALL REMOVAL	SO YDS	142

GENERAL PLAN & ELEVATION

FAI ROUTE 80 OVER KING CREEK
 SECTION 06-1BR
 BUREAU COUNTY
 STATION 55+30
 SN 006-0001 EB
 SN 006-0002 WB

2 - REVISED 10/27/08, HJL

FILE NAME = c:\pwork\p\WIDOT\BRAB0YPC\dms32763\dms32763.dgn	USER NAME = braboypc	DESIGNED -	REVISED -	STATE OF ILLINOIS DEPARTMENT OF TRANSPORTATION	PR SN 006-0001 & 006-0002	F.A.I. RTE. = 80	SECTION = (06-1)RS-3, 1	COUNTY = BUREAU	TOTAL SHEETS = 116	SHEET NO. = 41		
PLOT SCALE = 1/4" = 1' IN.	CHECKED -	REVISED -	SCALE: _____			SHEET NO. _____ OF _____ SHEETS	STA. _____ TO STA. _____	CONTRACT NO. 66623				
PLOT DATE = Oct 27, 2008 - 08:46:54 AM	DATE -	REVISED -	FED. ROAD DIST. NO. _____ ILLINOIS FED. AID PROJECT									