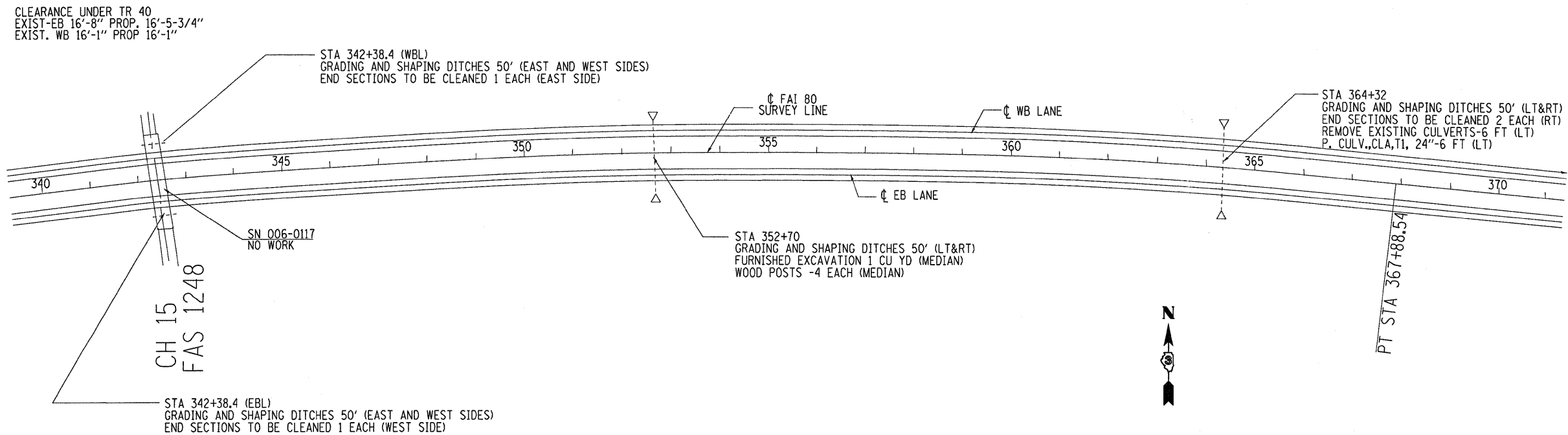
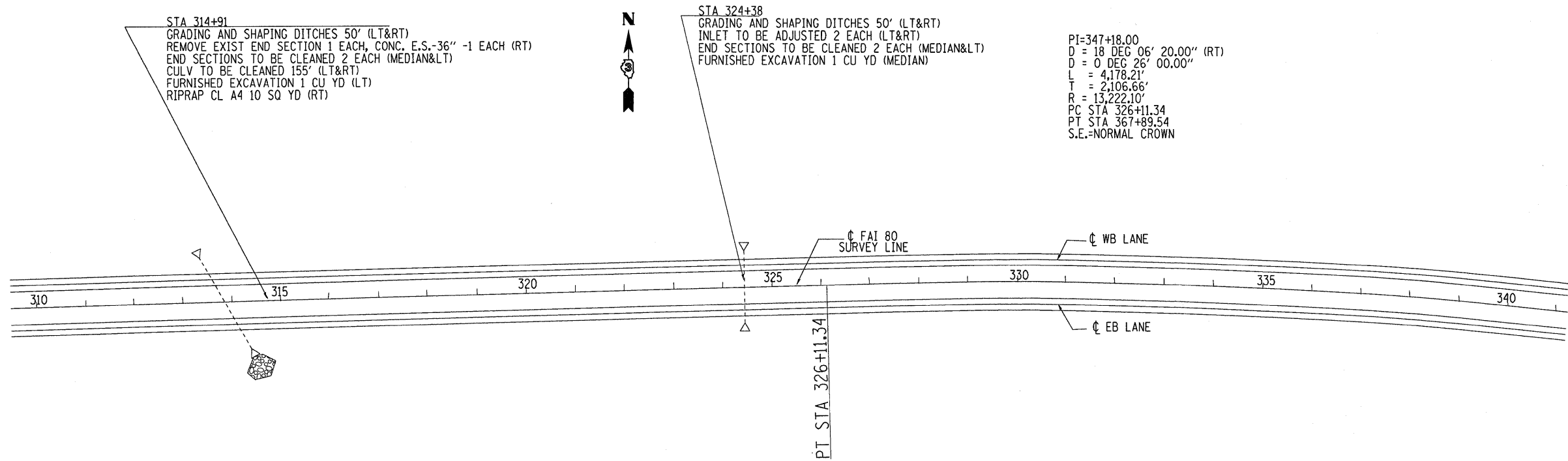


F.A.I. RTE.	SECTION	COUNTY	TOTAL SHEETS	SHEET NO.
80	106-1,2/RS-3, 1	BUREAU	116	23
STA. 401+00		TO STA. 431+00		
FED. ROAD DIST. NO. .		ILLINOIS	FED. AID PROJECT	



PLOT DATE = Sep 22, 2008 - 03:12:49 PM
 FILE NAME = c:\pwworking\mtdos\brabogno\dms32753\detail.dgn
 PLOT SCALE = 523.887' / 1" IN.
 USER NAME = brabogno