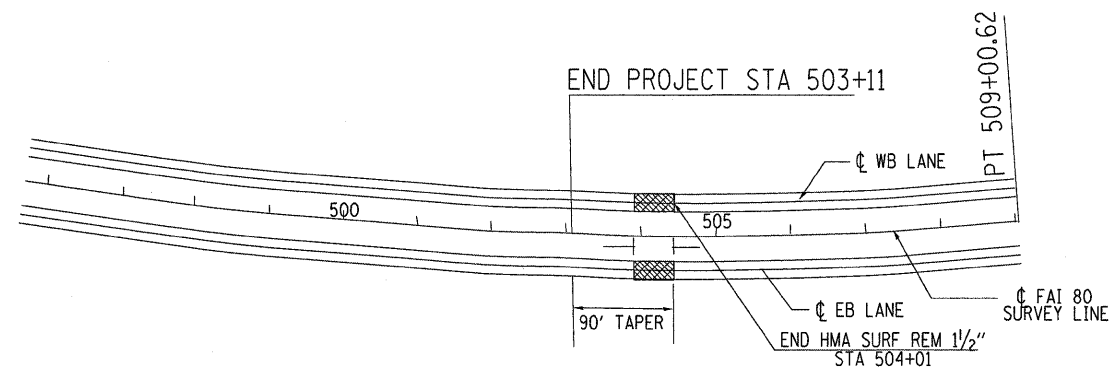


F.A.I. RTE.	SECTION	COUNTY	TOTAL SHEETS	SHEET NO.
80	106-1,2RS-3, 1	BUREAU	116	26
STA. 401+00		TO STA. 431+00		
FED. ROAD DIST. NO. _		ILLINOIS	FED. AID PROJECT	



PI=496+86.30  
 D = 24 DEG 40' 30.00" (LT)  
 D = 1 DEG 00' 00.00"  
 L = 2,467.50'  
 T = 1,253.18'  
 R = 5729.58'  
 PC STA 484+33.12  
 PT STA 509+00.62  
 EXIST S.E.. 0.015



PLOT DATE = Sep 04, 2008 - 07:52:49 AM  
 PLOT SCALE = 50.0000 / IN  
 USER NAME = braboyce