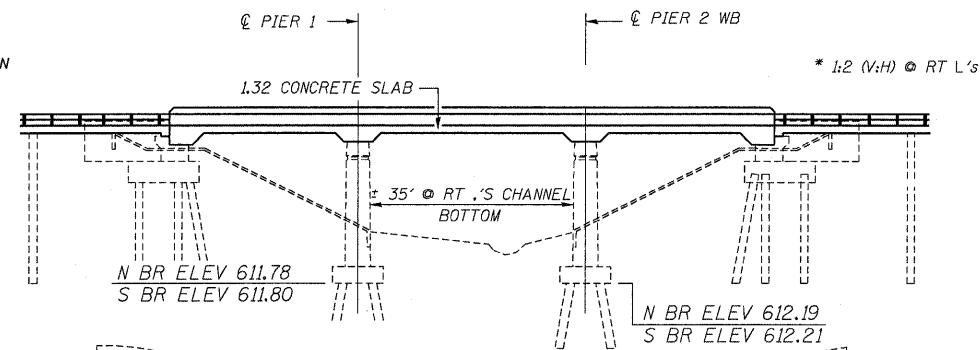


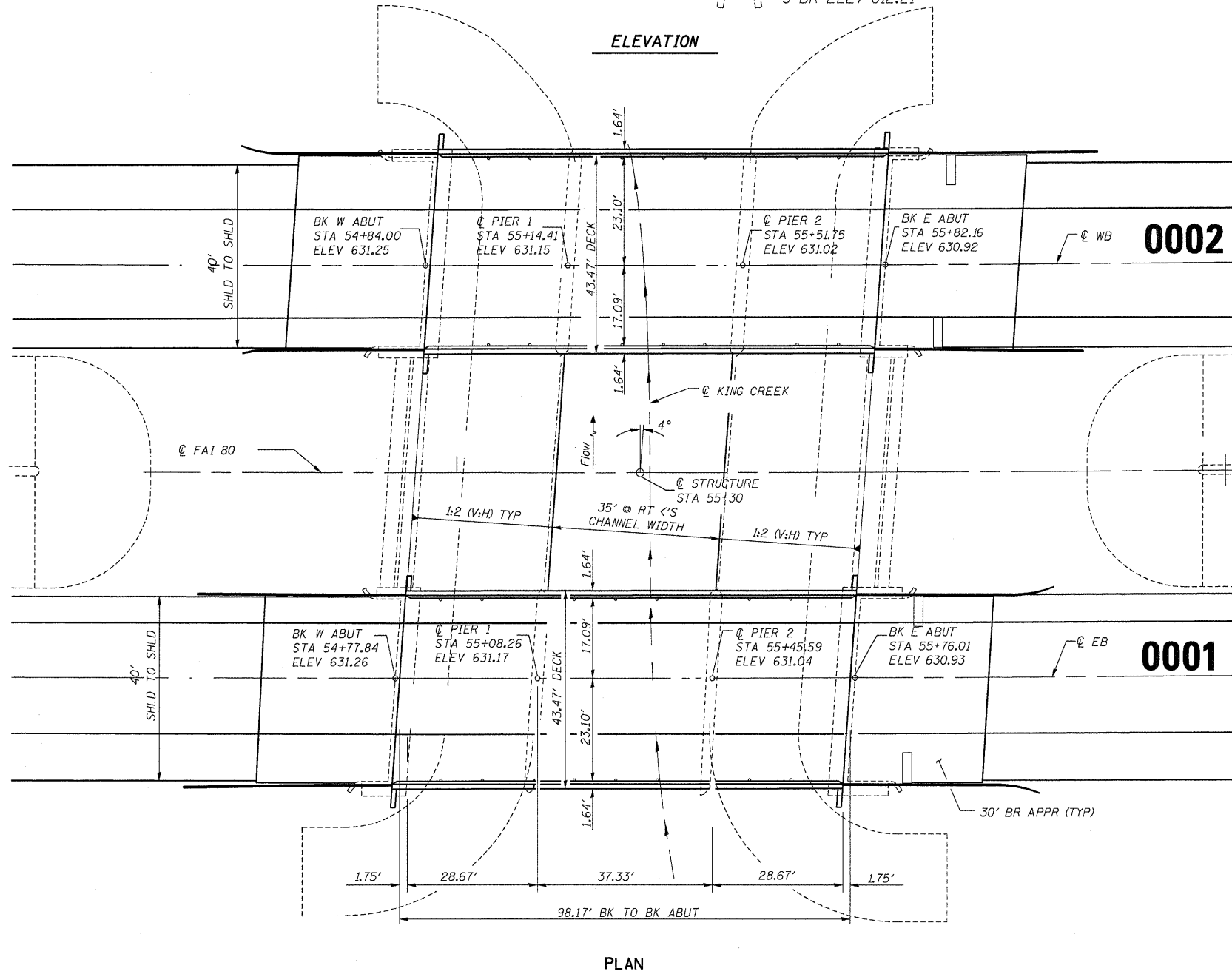
EXISTING STRUCTURE

THE EXISTING STRUCTURE CONSISTS OF A 3 SPAN CONTINUOUS CONCRETE SLAB W/SOLID FACE PIERS ON SPREAD FOOTINGS W/TIMBER PILING.

IT HAS A 98'-2" BACK TO BACK ABUTMENT LENGTH ALONG C OF ROADWAY. THE STRUCTURE IS TO REMAIN IN PLACE WITH PROPOSED REPAIRS.



ELEVATION



PLAN

GENERAL NOTES

- 1.) PLAN DIMENSIONS AND DETAILS RELATIVE TO EXISTING PLANS ARE SUBJECT TO ROUTINE VARIATION. THE CONTRACTOR SHALL FIELD VERIFY EXISTING DIMENSIONS AND DETAILS AFFECTING NEW CONSTRUCTION AND MAKE NECESSARY APPROVED ADJUSTMENTS PRIOR TO CONSTRUCTION OR ORDERING OF MATERIALS. SUCH VARIATIONS SHALL NOT BE CAUSE FOR ADDITIONAL COMPENSATION FOR A CHANGE IN SCOPE OF THE WORK, HOWEVER, THE CONTRACTOR WILL BE PAID FOR THE QUANTITY ACTUALLY FURNISHED BASED UPON THE UNIT PRICE BID FOR THE WORK.
- 2.) LAYOUT OF THE SLOPE PROTECTION SYSTEM MAY BE VARIED TO SUIT GROUND CONDITIONS IN THE FIELDS AS DIRECTED BY THE ENGINEER.

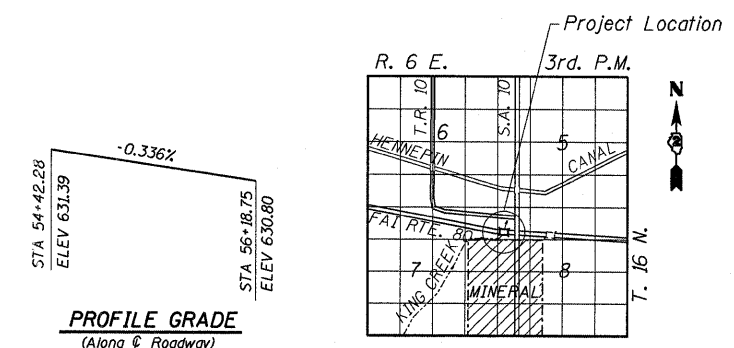
PROPOSED WORK

- 1.) CHANNEL EXCAVATION
- 2.) PLACEMENT OF SCOUR COUNTERMEASURE

EXISTING CONDITIONS

(TO BE USED FOR BLOCK DESIGN)

STREAM SLOPE	14.5 FT/MILE
MAX DESIGN VELOCITY	4 FT / SEC
SHEAR STRESS OF EXISTING SOIL	0.25 TONS/SQ FT



PROFILE GRADE
(Along C Roadway)

LOCATION SKETCH
(NTS)

TOTAL BILL OF MATERIALS		
ITEM	UNIT	TOTAL
ARTICULATED BLOCK REVETMENT MAT	SO YDS	718
GEOTECHNICAL FABRIC (SPECIAL)	SO YDS	718
CHANNEL EXCAVATION	CU YDS	753
BEDDING MATERIAL (SPECIAL)	CU YDS	130
SLOPE WALL REMOVAL	SO YDS	142

GENERAL PLAN & ELEVATION
FAI ROUTE 80 OVER KING CREEK
SECTION 06-1BR
BUREAU COUNTY
STATION 55+30
SN 006-0001 EB
SN 006-0002 WB



Expires Nov. 30, 2010

FILE NAME =	USER NAME = braboypc	DESIGNED -	REVISED -	STATE OF ILLINOIS DEPARTMENT OF TRANSPORTATION	PR SN 006-0001 & 006-0002	F.A.I. RTE.	SECTION	COUNTY	TOTAL SHEETS	SHEET NO.	
es:\pw\work\p1\dot\braboypc\dms32763\dets\1.s.dgn		DRAWN -	REVISED -			80	(06-1,2)RS-3, 1	BUREAU	116	41	
PLOT SCALE = 20.0000' / IN.		CHECKED -	REVISED -			CONTRACT NO. 66623					
PLOT DATE = Sep 04, 2008 - 08:24:48 AM		DATE -	REVISED -			FED. ROAD DIST. NO. [ILLINOIS] FED. AID PROJECT					