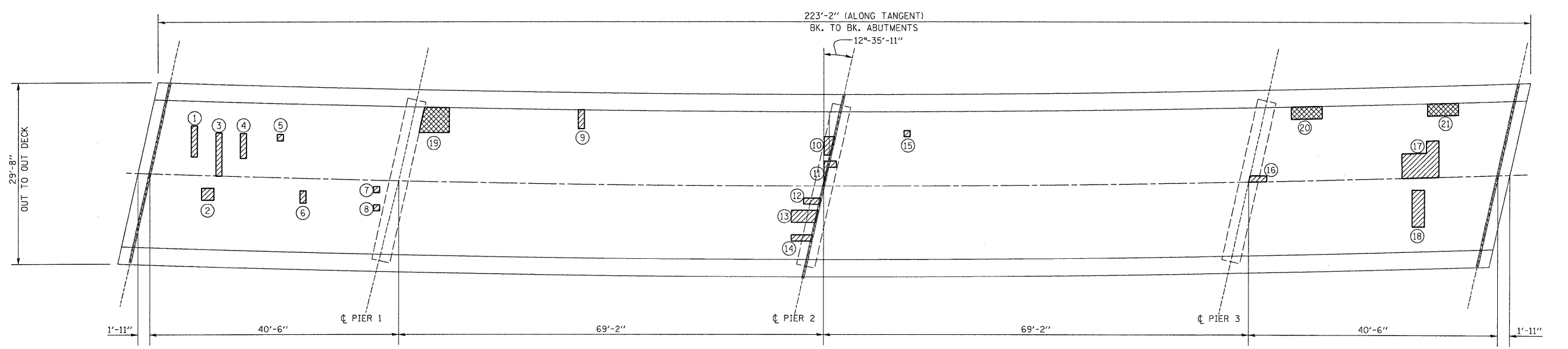


| F.A.P. RTE. | SECTION | COUNTY | TOTAL SHEETS | SHEET NO. |
|---------------------------|-----------------|---------------|--------------|------------------|
| 80 | (06-1,2)RS-3, I | BUREAU | 116 | 48 |
| STA. _____ | | TO STA. _____ | | |
| FED. ROAD DIST. NO. _____ | | ILLINOIS | | FED. AID PROJECT |



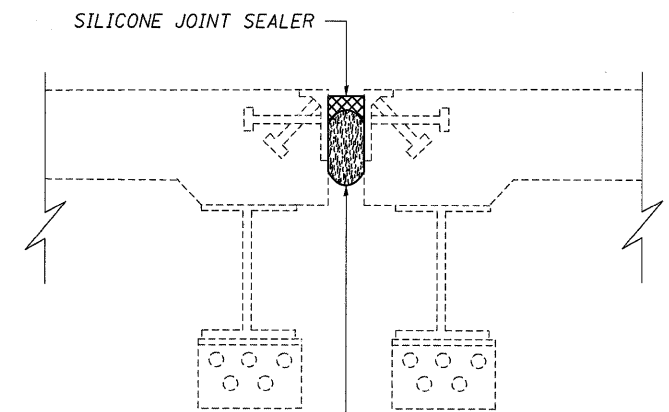
DECK SLAB REPAIR (PARTIAL)
 DECK SLAB REPAIR (FD TY 2)

THE ACTUAL LOCATIONS OF DECK SLAB REPAIR SHALL BE RECORDED ON SHEET 3 OF 3 AND BECOME PART OF THE AS BUILT PLANS.

DECK PATCHING PLAN

SN 006-0121
 DECK SURVEY INFORMATION
 DATE: 6/5/2006
 COMPLETED BY: DISTRICT 3

| PATCH NO. | DECK SLAB REPAIR (PARTIAL DEPTH) | DECK SLAB REPAIR (FD TY 2) |
|---------------|----------------------------------|----------------------------|
| | SQ YD | SQ YD |
| 1 | 0.56 | |
| 2 | 0.43 | |
| 3 | 0.78 | |
| 4 | 0.45 | |
| 5 | 0.11 | |
| 6 | 0.22 | |
| 7 | 0.11 | |
| 8 | 0.11 | |
| 9 | 0.33 | |
| 10 | 0.46 | |
| 11 | 0.33 | |
| 12 | 0.30 | |
| 13 | 0.92 | |
| 14 | 0.37 | |
| 15 | 0.11 | |
| 16 | 0.30 | |
| 17 | 3.11 | |
| 18 | 1.35 | |
| 19 | | 2.01 |
| 20 | | 1.11 |
| 21 | | 1.07 |
| TOTALS | 10.35 | 4.19 |



BACKER ROD HAVING A DIAMETER 25% GREATER THAN JOINT OPENING AT THE TIME OF INSTALLATION

EXPANSION JOINT @ PIER 2

REMOVE EXISTING JOINT MATERIAL AT PIER 2 & REPLACE WITH SILICONE JOINT SEALER. COST OF REMOVAL INCLUDED IN COST OF SILICONE JOINT SEALER.

**DECK PATCHING &
 EXPANSION JOINT REPAIR**
 C.H. RT. 29, OVER FAI RT.80
 STA. 19+88.71
 SN: 006-0121

PLOT DATE = Sep 04, 2008 - 08:05:41 AM
 FILE NAME = c:\p\work\p\060121\060121.dgn
 PLOT SCALE = 21:2005 / IN.
 USER NAME = bbradgip