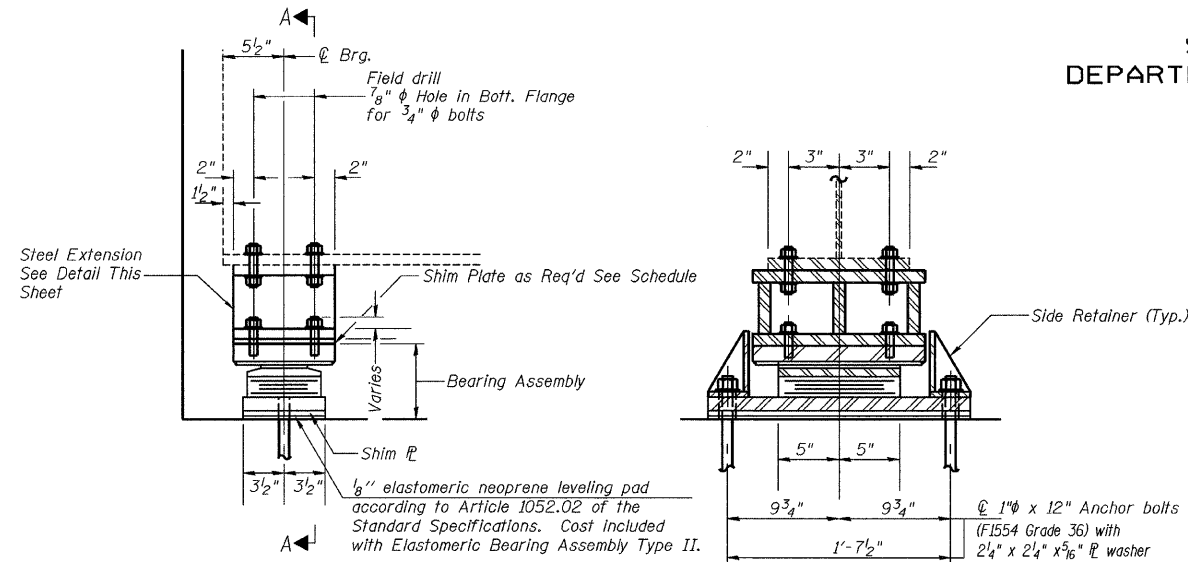


STATE OF ILLINOIS
DEPARTMENT OF TRANSPORTATION

ROUTE NO.	SECTION	COUNTY	TOTAL SHEETS	SHEET NO.
F.A.I. 80	#	BUREAU	116	65
FED. ROAD DIST. NO. 7	ILLINOIS	FED. AID PROJECT		

SHEET NO. 16
29 SHEETS

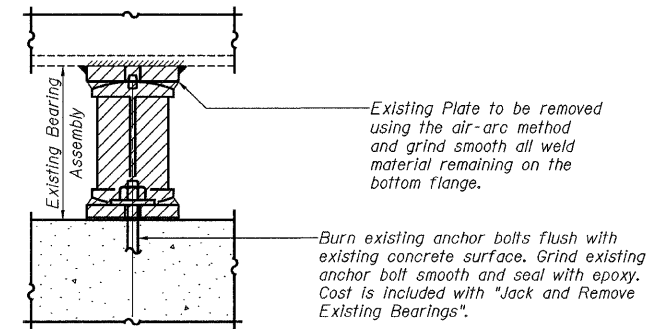
Contract #66623
* (06-1, 2)RS-3, I



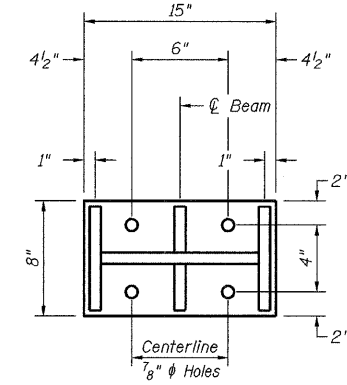
ELEVATION AT ABUT.

SECTION A-A

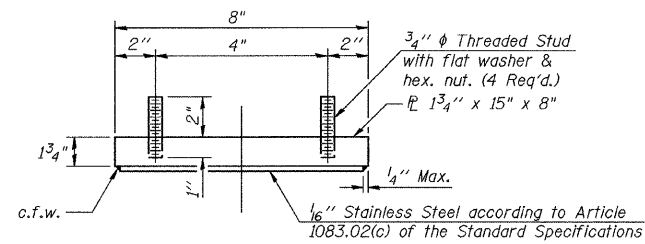
TYPE II ELASTOMERIC EXP. BRG.



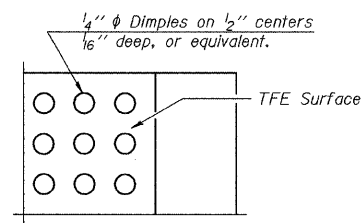
EXISTING BEARING REMOVAL DETAIL



PLAN STEEL EXTENSION



TOP BEARING ASSEMBLY



PLAN-TFE SURFACE

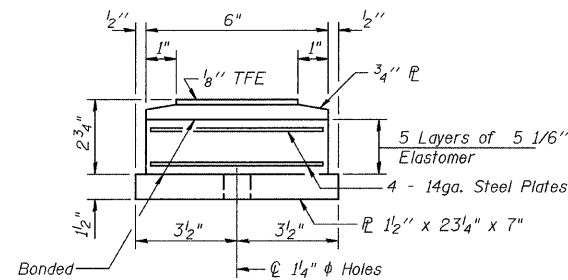
Notes:
Anchor bolts shall be ASTM F1554 all-thread (or an Engineer-approved alternate material) of the grade(s) and diameter(s) specified. ASTM A307 Grade C anchor bolts may be used in lieu of ASTM F1554 Grade 36 (Fy=36ksi). The corresponding specified grade of AASHTO M314 anchor bolts may be used in lieu of ASTM F1554.

Drilled and set anchor bolts shall be installed according to Article 521.06 of the Standard Specifications.

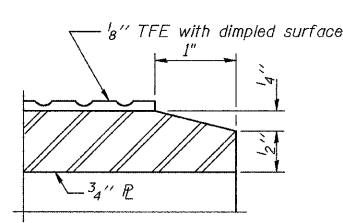
Side retainers and other steel members required for the bearing assembly shall be included in the cost of Elastomeric Bearing Assembly, Type II.

The 1/8 inch TFE sheet shall be bonded directly to the top steel plate with a two-component, medium viscosity epoxy resin, conforming to the requirements of the Federal Specification MMM-A-134, Type I. The bond agent shall be applied on the full area of the contact surfaces.

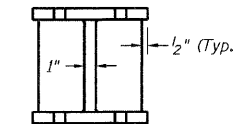
Bonding of 1/8 inch TFE sheet during vulcanizing process will be permitted provided the process and method of adjusting assembly height is approved by the Engineer.



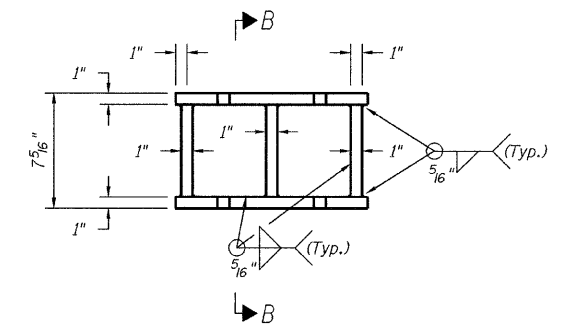
BOTTOM BEARING ASSEMBLY



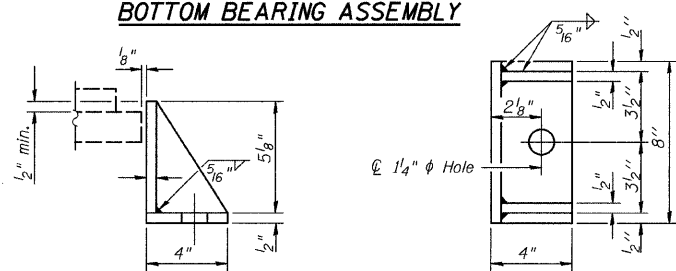
SECTION THRU TFE



SECTION B-B

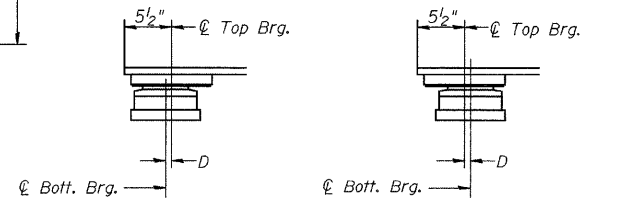


ELEVATION STEEL EXTENSION



SIDE RETAINER

Equivalent rolled angle with stiffeners will be allowed in lieu of welded plates.



SETTING ANCHOR BOLTS AT EXP. BRG.

BELOW 50°F. ABOVE 50°F.
(Move bott. brg. away from fixed brg.) (Move bott. brg. toward fixed brg.)

SETTING ANCHOR BOLTS AT EXP. BRG.

D=1/8 inch per each 100' of expansion for every 15° temp. change from the normal temp. of 50°F.

TABLE OF SHIM PLATE DIMENSIONS

Beam	E. Abutment
1	0
2	0
3	0
4	0
5	1/2"
6	1/2"
7	1/2"
8	0
9	0
10	0
11	0
12	1/8"
13	1/2"
14	1/2"
15	0
16	0
17	0
18	0

STEEL EXTENSION DETAILS

18 REQUIRED

BILL OF MATERIAL

Item	Unit	Total
Elastomeric Bearing Assembly Type II	Each	18
Anchor Bolts 1 inch	Each	36
Furnishing and Erecting Structural Steel *	Pound	2240

* Includes steel assembly above elastomeric bearing.

BEARING DETAILS-EAST ABUTMETNT
F.A.I. 80 (I-80) OVER COAL CREEK
SECTION (06-1, 2)RS-3, I
BUREAU COUNTY
SN 006-0007 (EB)
SN 006-0008 (WB)
STA. 202+80

CHAMLIN ASSOCIATES
PERU ILLINOIS MORRIS

DESIGNED	JKC
CHECKED	JLS
DRAWN	NOE
CHECKED	JKC