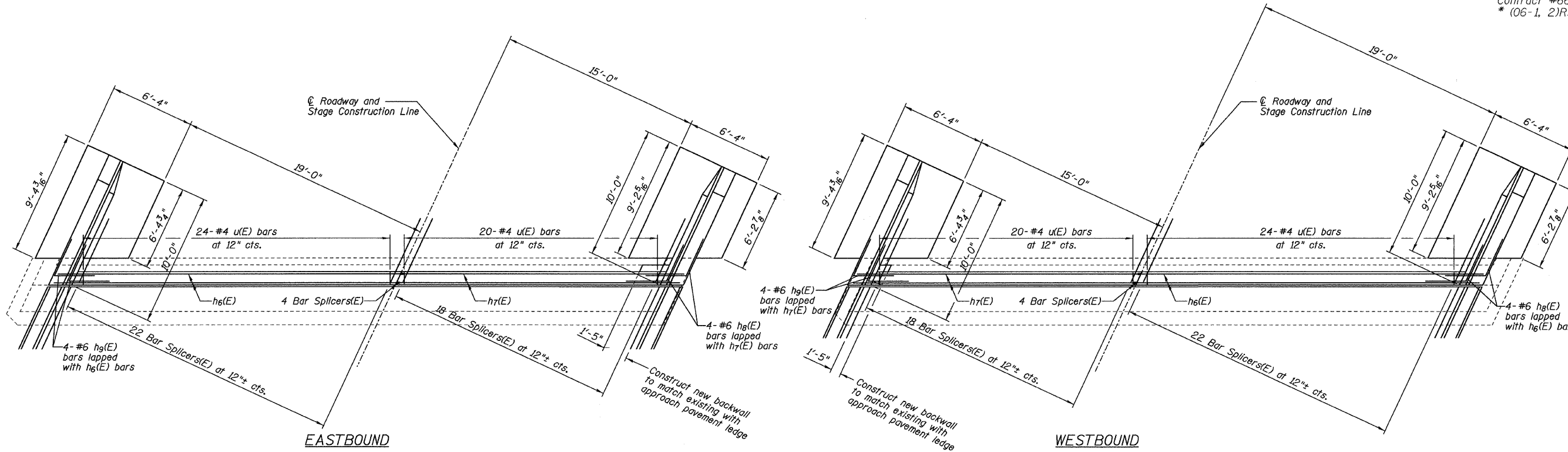


STATE OF ILLINOIS
DEPARTMENT OF TRANSPORTATION

ROUTE NO.	SECTION	COUNTY	TOTAL SHEETS	SHEET NO.
F.A.I. 80	*	BUREAU	116	66
FED. ROAD DIST. NO. 7	ILLINOIS	FED. AID PROJECT-		

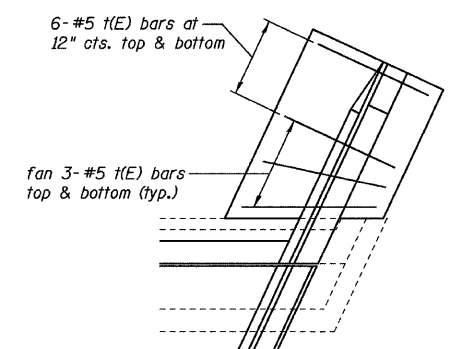
SHEET NO. 17
29 SHEETS

Contract #66623
* (06-1, 2)RS-3, I

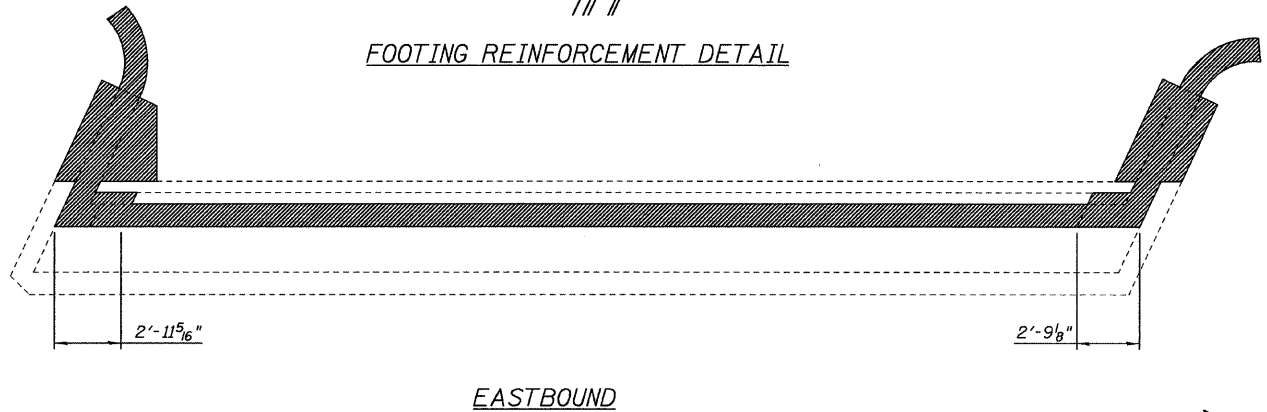
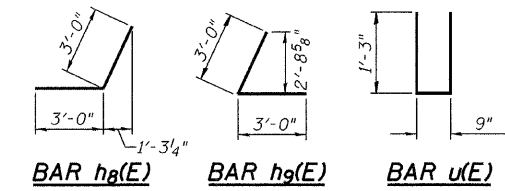


**SUBSTRUCTURE
BILL OF MATERIAL
(West Abutments)**

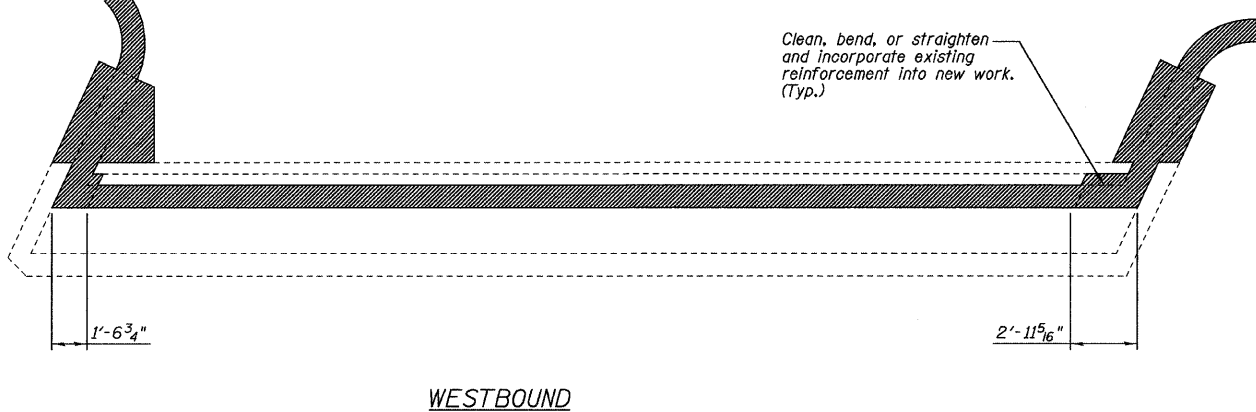
Bar	No.	Size	Length	Shape	
h2(E)	8	#4	9'-9"	—	
h3(E)	20	#4	10'-6"	—	
h4(E)	32	#4	9'-9"	—	
h5(E)	20	#4	9'-0"	—	
h6(E)	8	#6	25'-8"	—	
h7(E)	8	#6	21'-3"	—	
h8(E)	8	#6	6'-0"	—	
h9(E)	8	#6	6'-0"	—	
n(E)	32	#6	9'-10"	—	
n1(E)	24	#6	4'-11"	—	
t(E)	72	#5	6'-0"	—	
u(E)	88	#4	3'-3"	—	
v2(E)	44	#6	9'-1"	—	
v3(E)	12	#6	9'-1"	—	
v4(E)	32	#6	9'-3"	—	
w(E)	20	#5	15'-2"	—	
Reinforcement Bars, Epoxy Coated				Pound	4,050
Concrete Structures				Cu. Yds.	33.2
Concrete Removal				Cu. Yds.	19.7
Structure Excavation				Cu. Yds.	109



PLAN VIEW - WEST ABUTMENTS
Showing New Construction



PLAN VIEW - WEST ABUTMENTS
Showing Concrete Removal



WESTBOUND

Work this sheet with sheets 19, 20, & 21 of 29.

WEST ABUTMENT DETAILS
F.A.I. 80 (I-80) OVER COAL CREEK
SECTION (06-1, 2)RS-3, I
BUREAU COUNTY
SN 006-0007 (EB)
SN 006-0008 (WB)
STA. 202+80

DESIGNED	JKC
CHECKED	JLS
DRAWN	NOE
CHECKED	JKC

LEGEND
Concrete Removal

CHAMLIN & ASSOCIATES
PERU ILLINOIS MORRIS