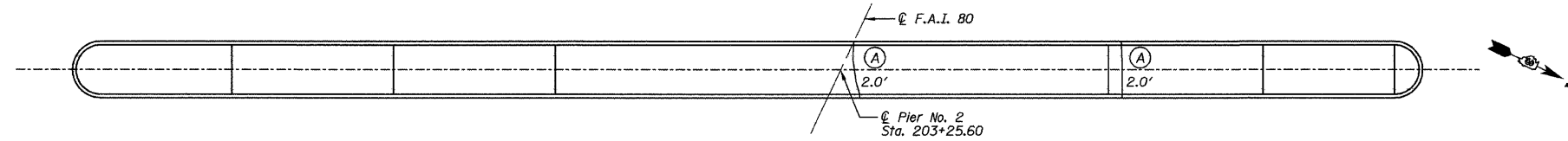


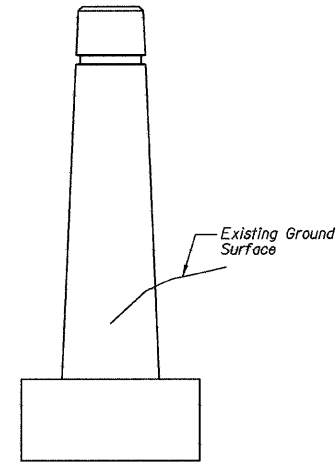
STATE OF ILLINOIS
DEPARTMENT OF TRANSPORTATION

ROUTE NO.	SECTION	COUNTY	TOTAL SHEETS	SHEET NO.	SHEET NO. 25 29 SHEETS
F.A.I. 80	*	BUREAU	116	74	
FED. ROAD DIST. NO. 7	ILLINOIS		FED. AID PROJECT		

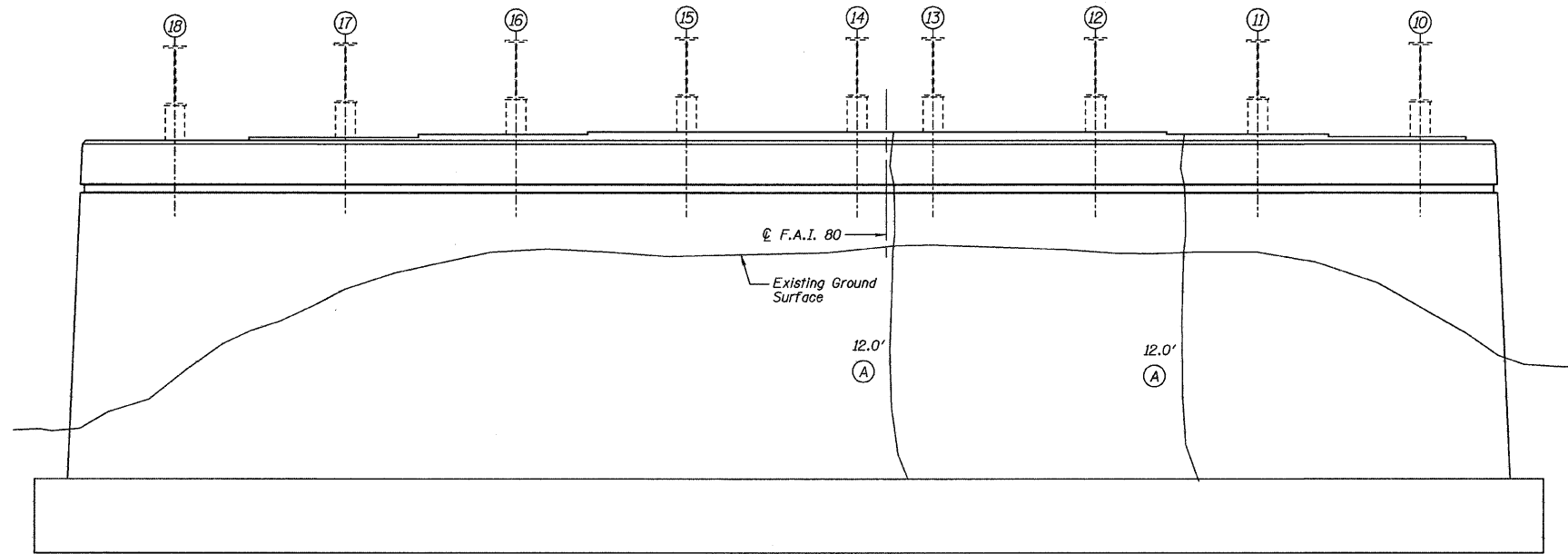
Contract #66623
* (06-1, 2)RS-3, I



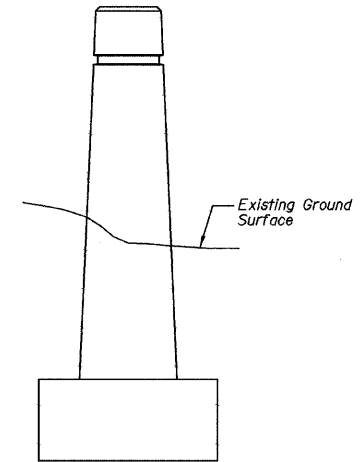
TOP PLAN



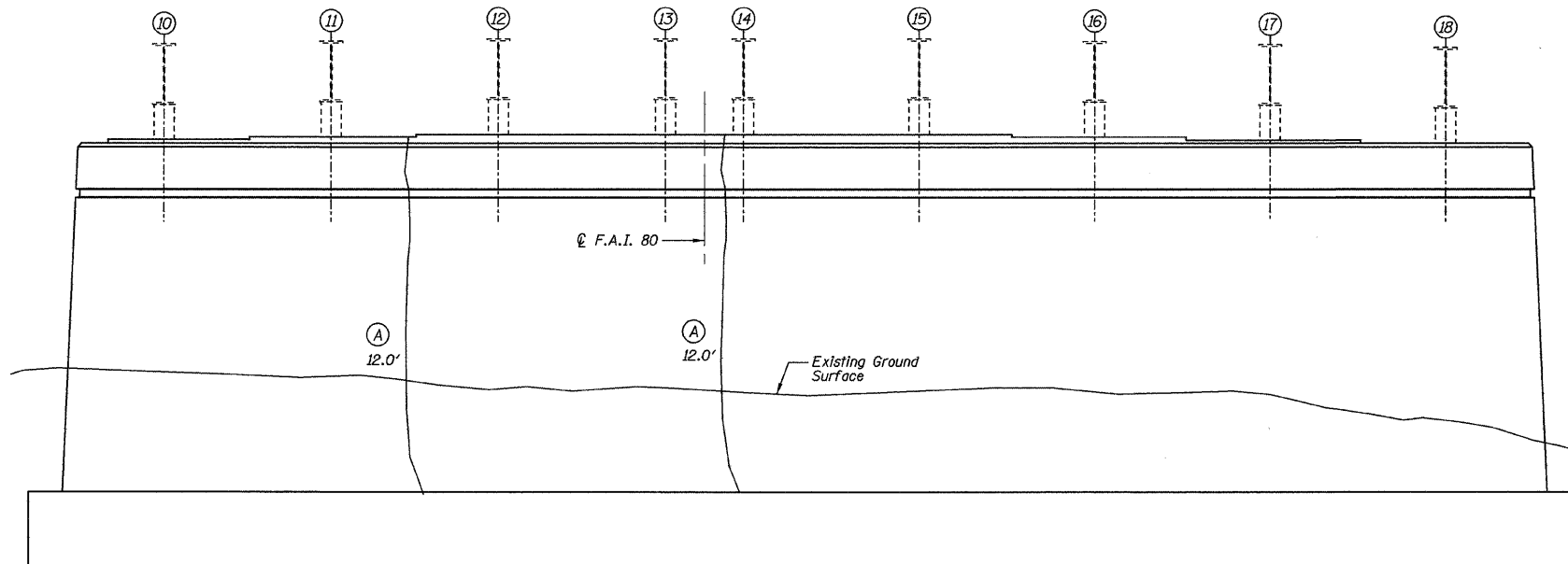
SOUTH END VIEW



EAST ELEVATION - LOOKING WEST



NORTH END VIEW



WEST ELEVATION - LOOKING EAST

(A) cracks extending full thickness of wall shall only be measured for payment once

Note:
It is not the intent that the contractor should excavate to perform epoxy crack injection. Only the above ground length shall receive injection and will be measured for payment.

DESIGNED	--
CHECKED	JKC
DRAWN	NOE
CHECKED	JKC

Item	Unit	Total
Epoxy Crack Injection	Foot	24

LEGEND

- Structural Repair of Concrete ≤ 5"
- Epoxy Crack Injection w/ Length

FOUNDATION REPAIR PLANS
EASTBOUND
PIER NO. 2
F.A.I. 80 (I-80) OVER COAL CREEK
SECTION (06-1, 2)RS-3, I
BUREAU COUNTY
SN 006-0007 (EB)
SN 006-0008 (WB)
STA. 202+80

CHAMLIN
ASSOCIATES
PERU ILLINOIS MORRIS