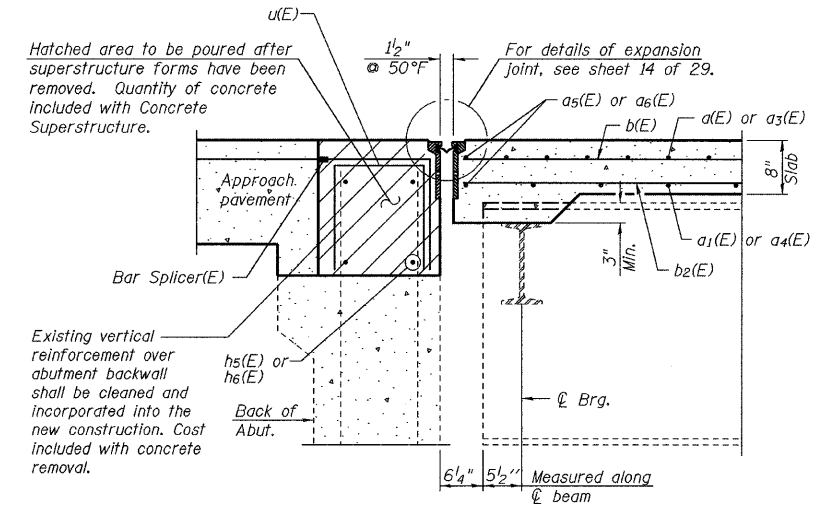
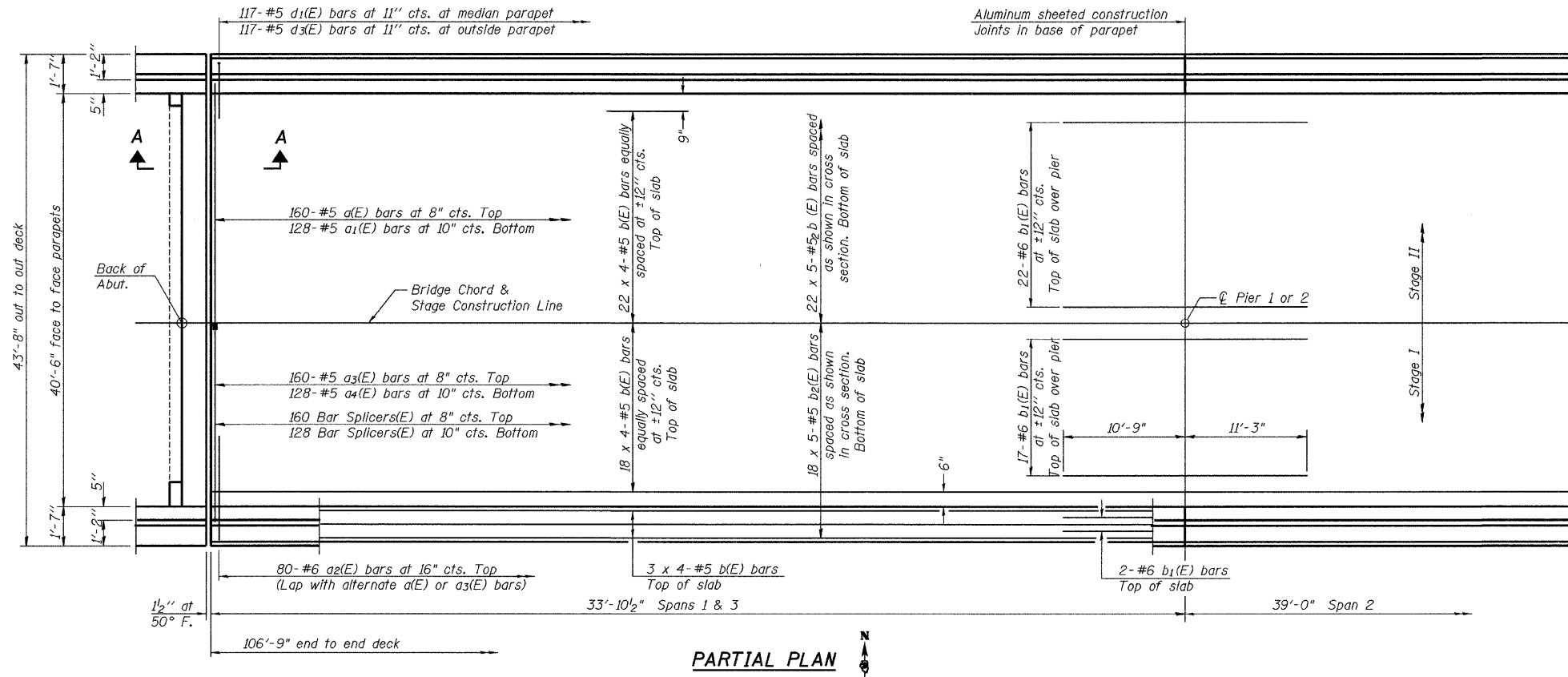


STATE OF ILLINOIS
DEPARTMENT OF TRANSPORTATION

ROUTE NO.	SECTION	COUNTY	TOTAL SHEETS	SHEET NO.
F.A.I. 80	*	BUREAU	116	88
FED. ROAD DIST. NO. 7	ILLINOIS	FED. AID PROJECT		

SHEET NO. 10
29 SHEETS

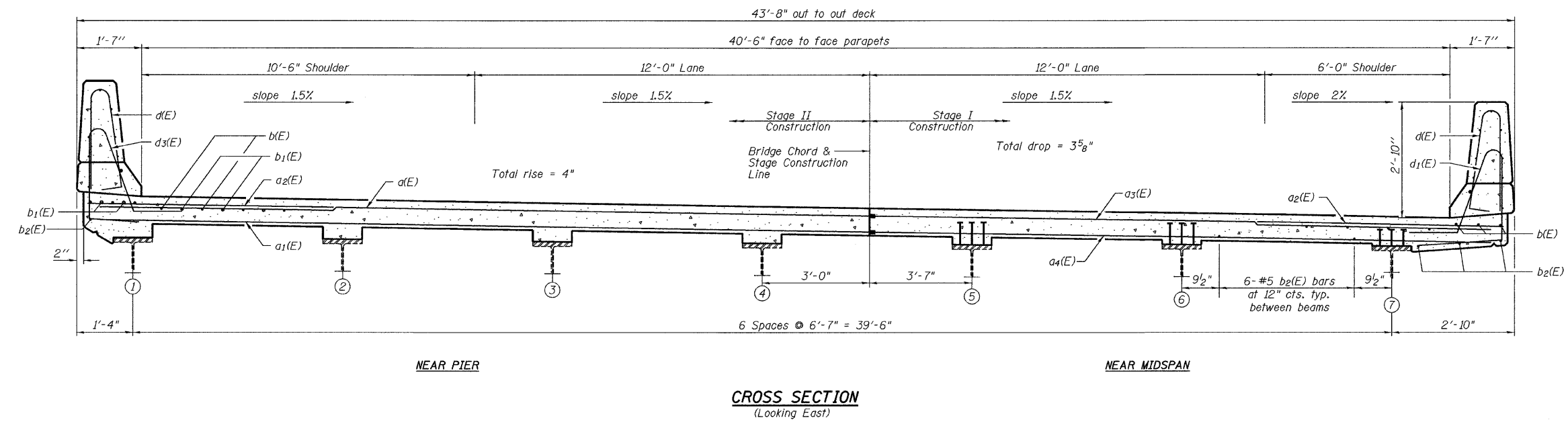
Contract #66623
* (06-1, 2)RS-3, I



SECTION A-A

Min. Bar lap
#5 bar 1'-8"

Notes:
See Sheet 12 of 29 for superstructure details and Bill of Material.
Bars indicated thus 20 x 3-#5 etc. Indicates 20 lines of bars with 3 lengths per line.
See Sheet 12 of 29 for parapet reinforcement.



CROSS SECTION
(Looking East)

DESIGNED	JKC
CHECKED	JLS
DRAWN	NOE
CHECKED	JKC

CHAMLIN & ASSOCIATES
PERU ILLINOIS MORRIS

WESTBOUND
SUPERSTRUCTURE PLAN AND SECTION
F.A.I. 80 (I-80) OVER DRAINAGE DITCH
SECTION (06-1, 2)RS-3, I
BUREAU COUNTY
SN 006-0009 (EB)
SN 006-0010 (WB)
STA. 423+15