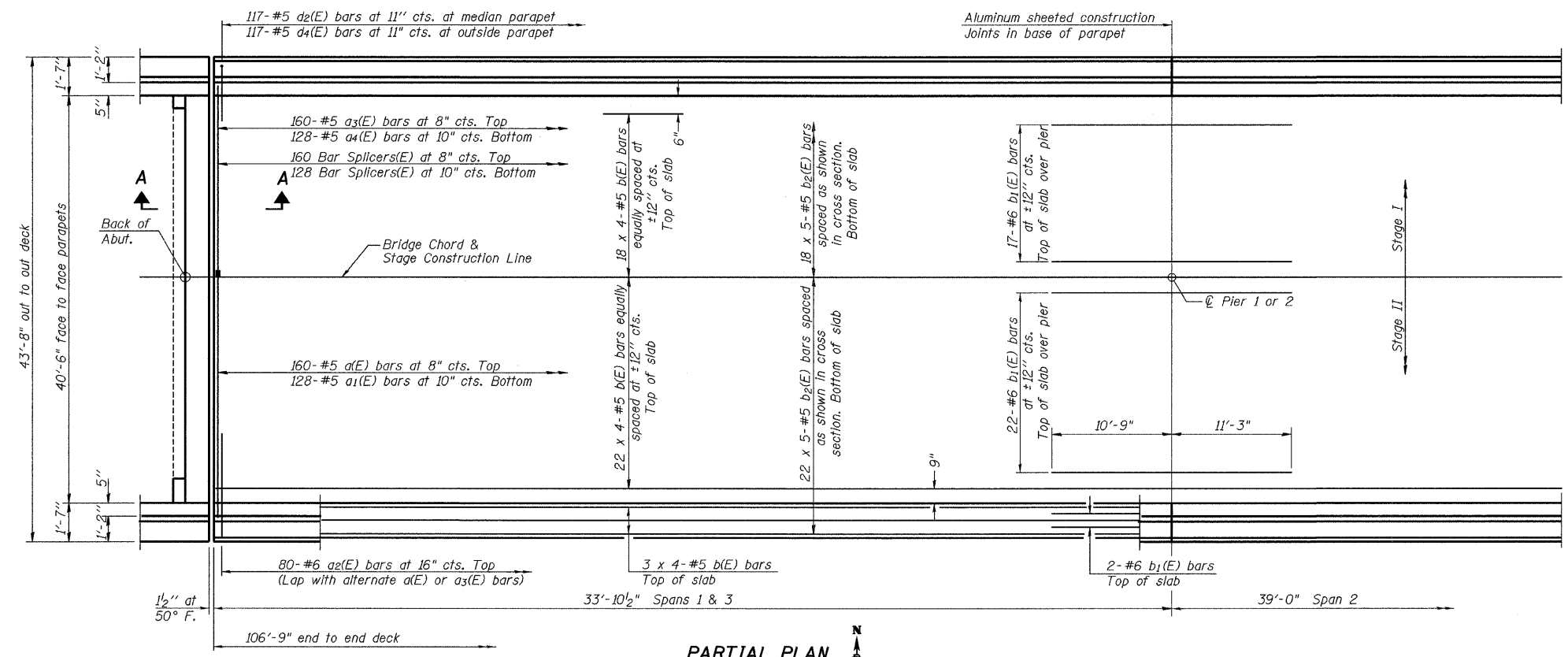


STATE OF ILLINOIS
DEPARTMENT OF TRANSPORTATION

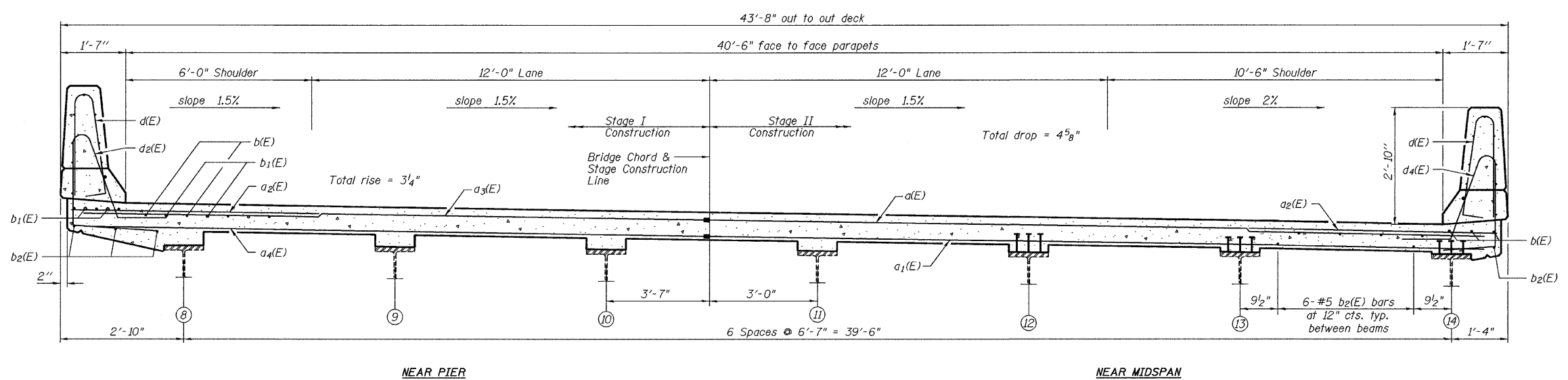
| | | | | | |
|-----------------------|----------|-------------------|--------------|-----------|--------------|
| ROUTE NO. | SECTION | COUNTY | TOTAL SHEETS | SHEET NO. | SHEET NO. 11 |
| F.A.I. 80 | * | BUREAU | 116 | 89 | 29 SHEETS |
| FED. ROAD DIST. NO. 7 | ILLINOIS | FED. AID PROJECT- | | | |

Contract #66623
* (06-1, 2)RS-3, I



Min. Bar lap
#5 bar 1'-8"

Notes:
See Sheet 12 of 29 for superstructure details and Bill of Material.
Bars indicated thus 20 x 3-#5 etc. indicates 20 lines of bars with 3 lengths per line.
See Sheet 12 of 29 for parapet reinforcement.



CROSS SECTION
(Looking East)

| | |
|----------|-----|
| DESIGNED | JKC |
| CHECKED | JLS |
| DRAWN | NOE |
| CHECKED | JKC |

EASTBOUND
SUPERSTRUCTURE PLAN AND SECTION
F.A.I. 80 (I-80) OVER DRAINAGE DITCH
SECTION (06-1, 2)RS-3, I
BUREAU COUNTY
SN 006-0009 (EB)
SN 006-0010 (WB)
STA. 423+15

