

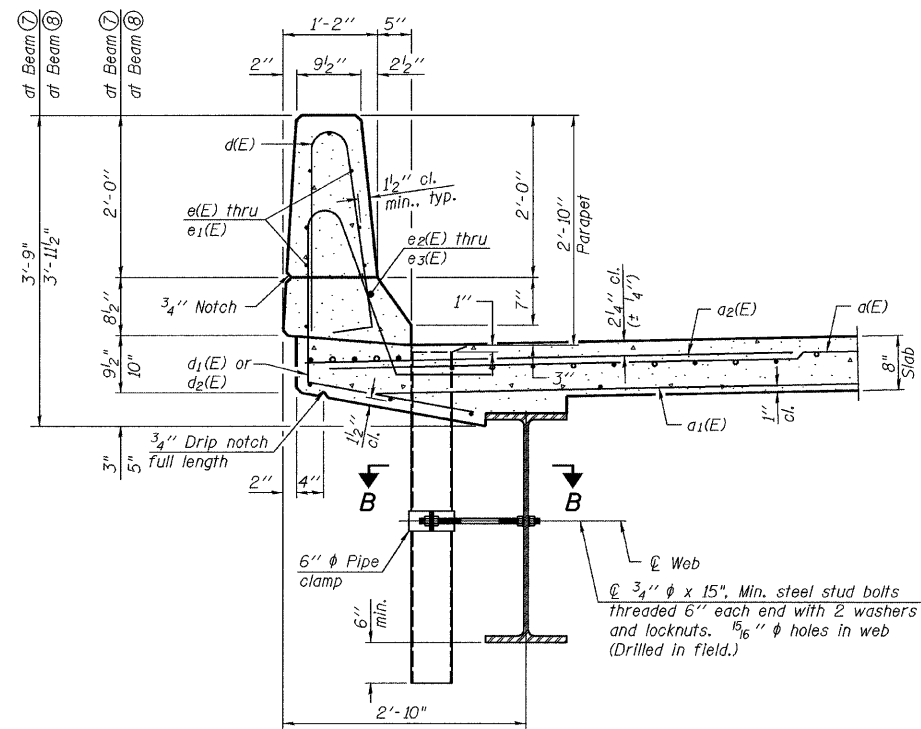
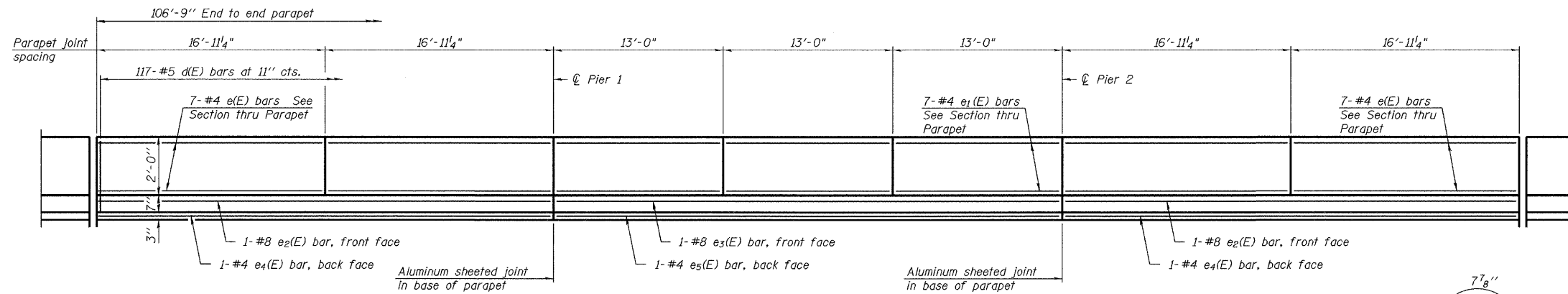
STATE OF ILLINOIS
DEPARTMENT OF TRANSPORTATION

ROUTE NO.	SECTION	COUNTY	TOTAL SHEETS	SHEET NO.
F.A.I. 80	*	BUREAU	116	90
FED. ROAD DIST. NO. 7	ILLINOIS	FED. AID PROJECT-		

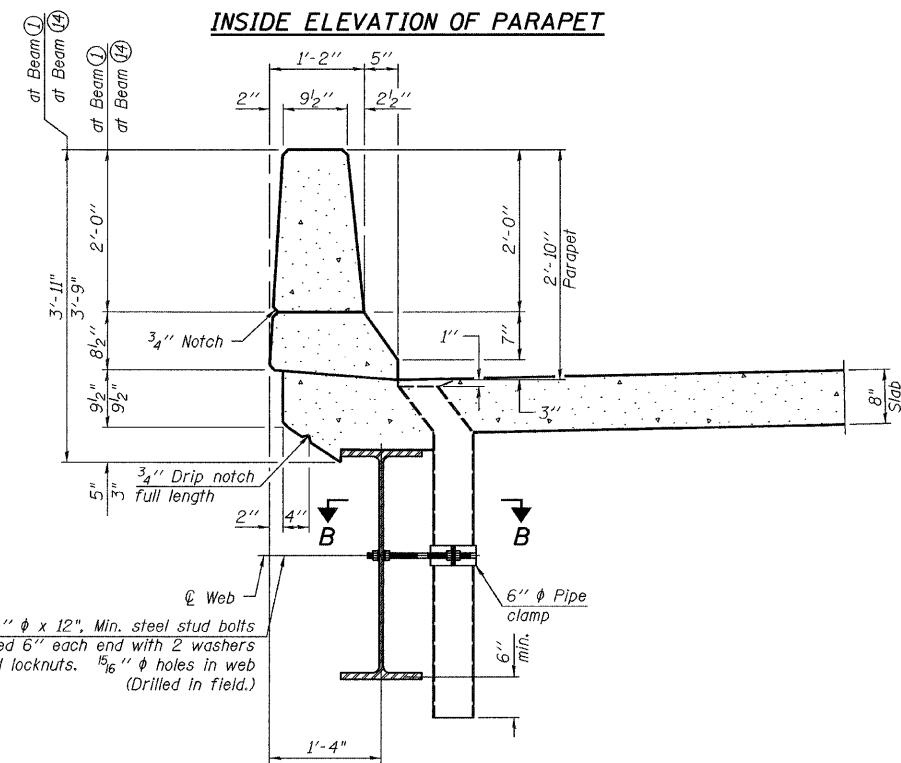
SHEET NO. 12

29 SHEETS

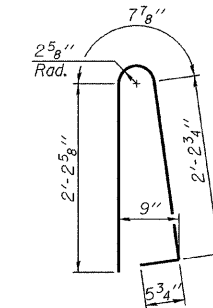
Contract #66623
* (06-1, 2)RS-3, I



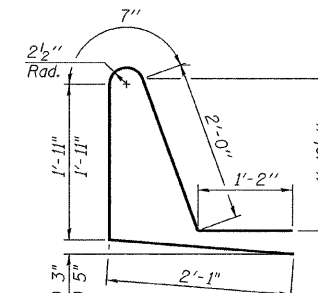
SECTION THRU MEDIAN PARAPET



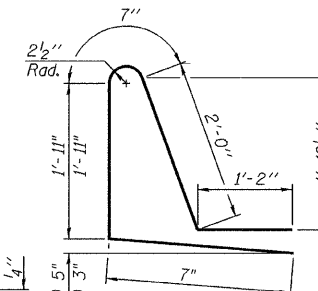
SECTION THRU OUTSIDE PARAPET



BAR d(E)



BARS d1(E) OR d2(E)

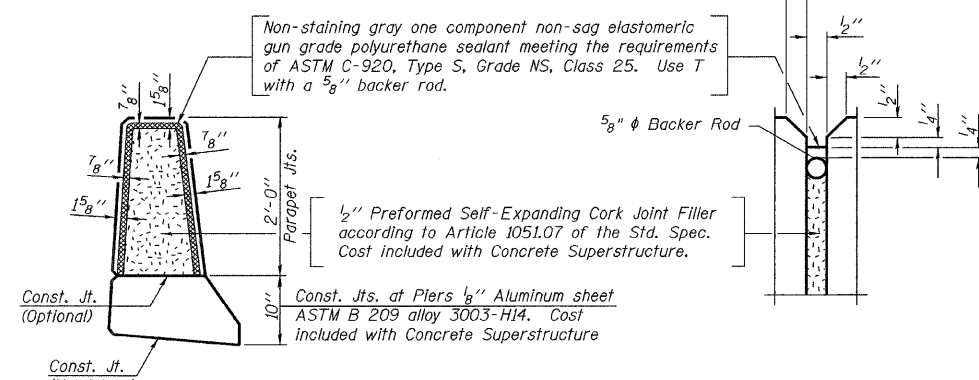


BARS d3(E) OR d4(E)

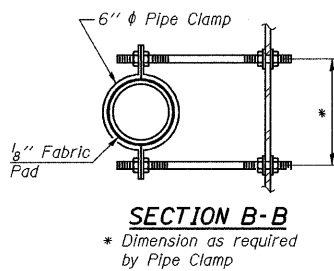
SUPERSTRUCTURE
BILL OF MATERIAL

Bar	No.	Size	Length	Shape
d(E)	320	#5	23'-9"	U
d1(E)	256	#5	23'-6"	Z
d2(E)	320	#6	6'-0"	Z
d3(E)	320	#5	19'-3"	Z
d4(E)	256	#5	19'-0"	Z
b(E)	368	#5	27'-11"	U
b1(E)	172	#6	22'-0"	Z
b2(E)	400	#5	22'-8"	Z
d(E)	468	#5	5'-7"	U
d1(E)	117	#5	7'-9"	Z
d2(E)	117	#5	7'-9"	Z
d3(E)	117	#5	6'-3"	Z
d4(E)	117	#5	6'-3"	Z
e(E)	112	#4	16'-8"	U
e1(E)	84	#4	12'-9"	Z
e2(E)	8	#8	33'-7"	Z
e3(E)	4	#8	38'-9"	Z
e4(E)	8	#4	33'-7"	Z
e5(E)	4	#4	38'-9"	Z
Reinforcement Bars, Epoxy Coated		Pound	63960	
Concrete Superstructure		Cu. Yds.	309.5	

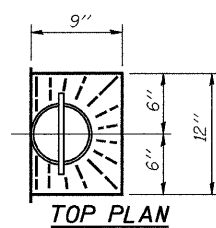
Notes:
Floor drains need not be painted.
Fiberglass pipe shall conform to ASTM D 2996, with short-time rupture strength hoop tensile stress of 30,000 p.s.i. minimum.



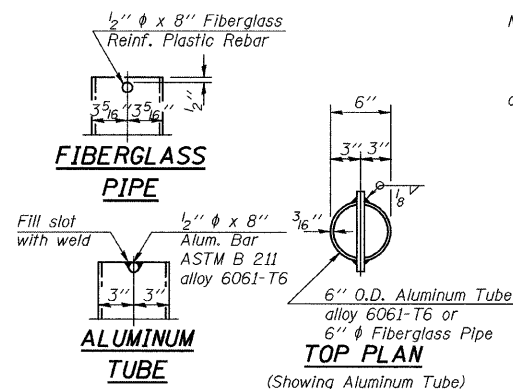
PARAPET JOINT DETAILS



SECTION B-B
* Dimension as required by Pipe Clamp



TOP PLAN



FIBERGLASS PIPE

ALUMINUM TUBE

DESIGNED	JKC
CHECKED	JLS
DRAWN	NOE
CHECKED	JKC

CHAMLIN ASSOCIATES
PERU ILLINOIS MORRIS

SUPERSTRUCTURE DETAILS
F.A.I. 80 (I-80) OVER DRAINAGE DITCH
SECTION (06-1, 2)RS-3, I
BUREAU COUNTY
SN 006-0009 (EB)
SN 006-0010 (WB)
STA. 423+15