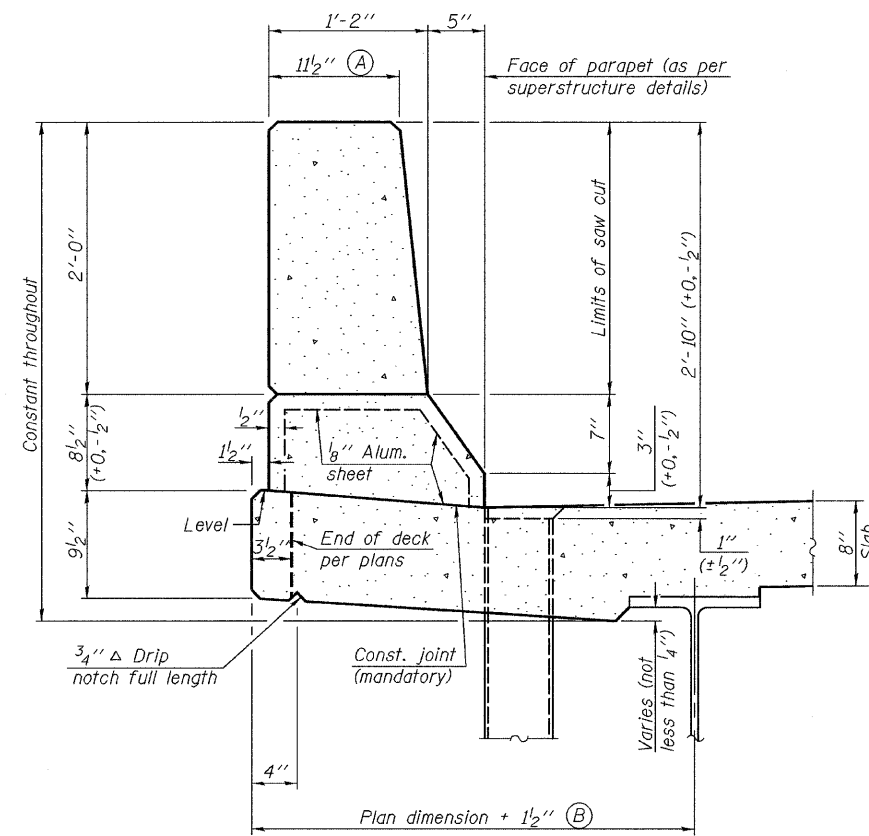


STATE OF ILLINOIS
DEPARTMENT OF TRANSPORTATION

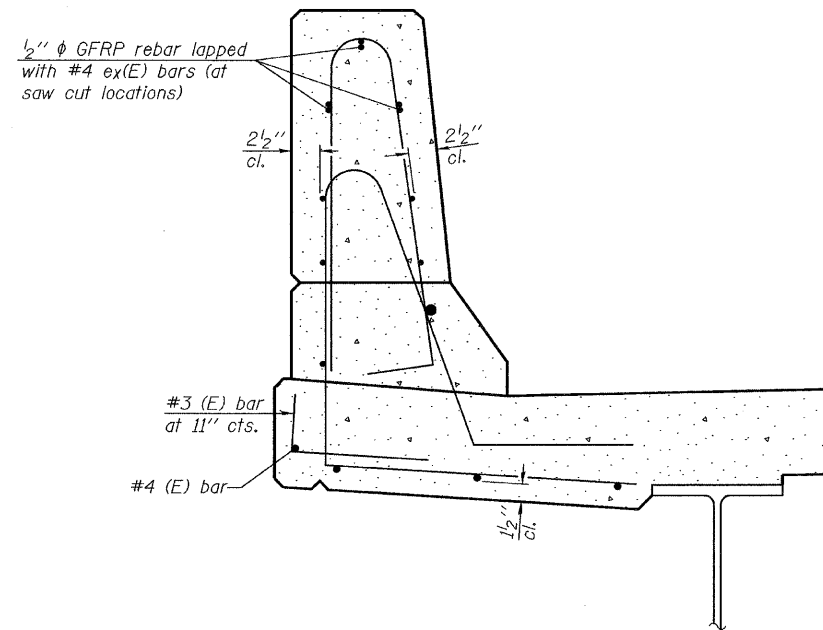
ROUTE NO.	SECTION	COUNTY	TOTAL SHEETS	SHEET NO.
F.A.I. 80	*	BUREAU	116	107
FED. ROAD DIST. NO. 7	ILLINOIS	FED. AID PROJECT-		

SHEET NO. 29
29 SHEETS

Contract #66623
* (06-1, 2)RS-3, I

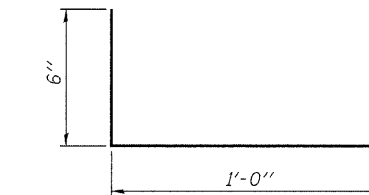


SECTION
(Showing dimensions)

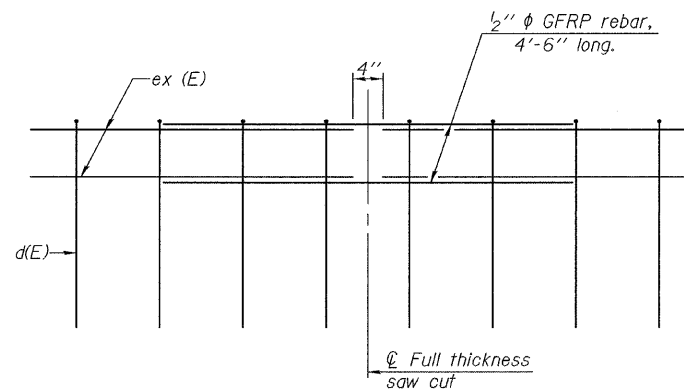


SECTION

(Showing reinforcement clearances for slip forming and additional reinforcement bars)



#3 (E) BAR



GFRP REBAR STIFFENING DETAIL

(Place as shown in parapet section at each parapet joint location.)

CONCRETE PARAPET
SLIPFORMING OPTION
F.A.I. 80 (I-80) OVER DRAINAGE DITCH
SECTION (06-1, 2)RS-3, I
BUREAU COUNTY
SN 006-0009 (EB)
SN 006-0010 (WB)
STA. 423+15

CHAMLIN & ASSOCIATES
PERU ILLINOIS MORRIS

DESIGNED	--
CHECKED	--
DRAWN	NOE
CHECKED	JKC

SFP-34

5-16-08