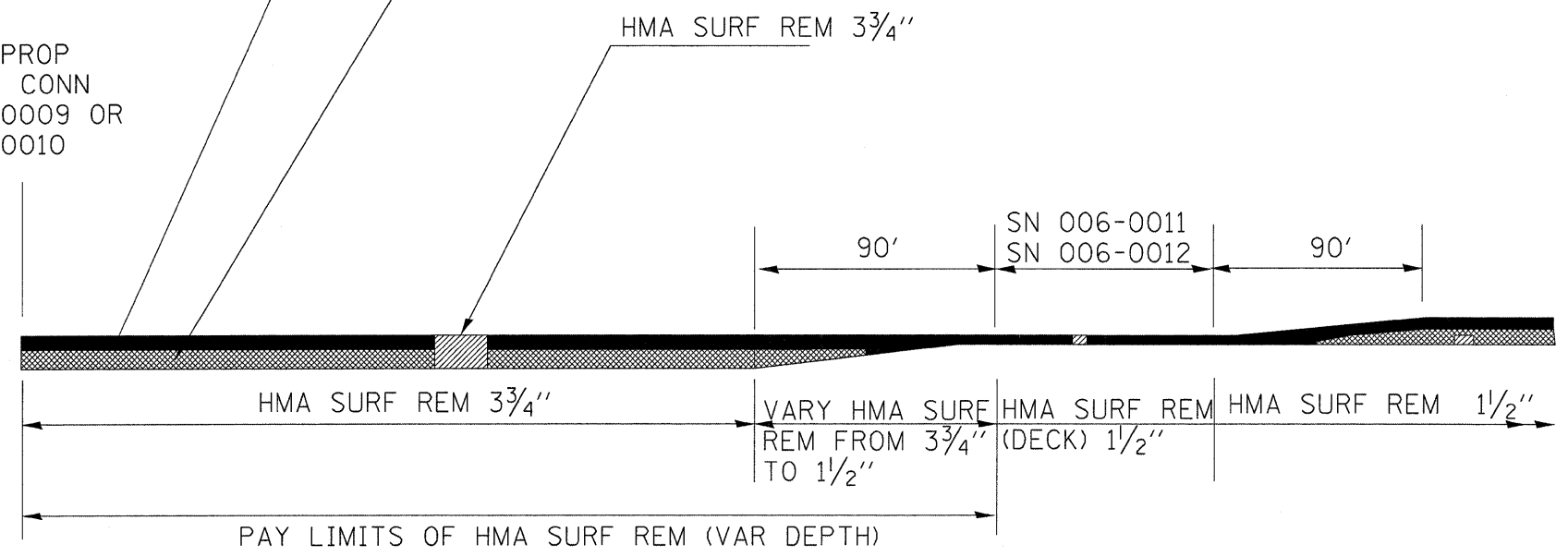


MAINLINE – PROJECT LIMITS, RAMPS NEAR IL 40 AND BY BRIDGES PAY FOR AS HMA SUR REM 1 1/2"

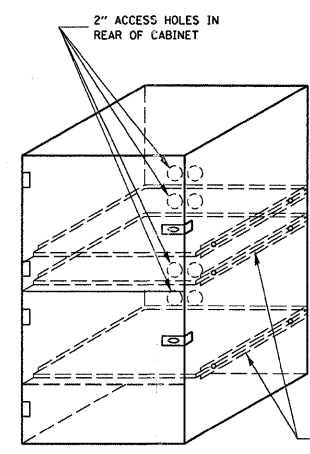
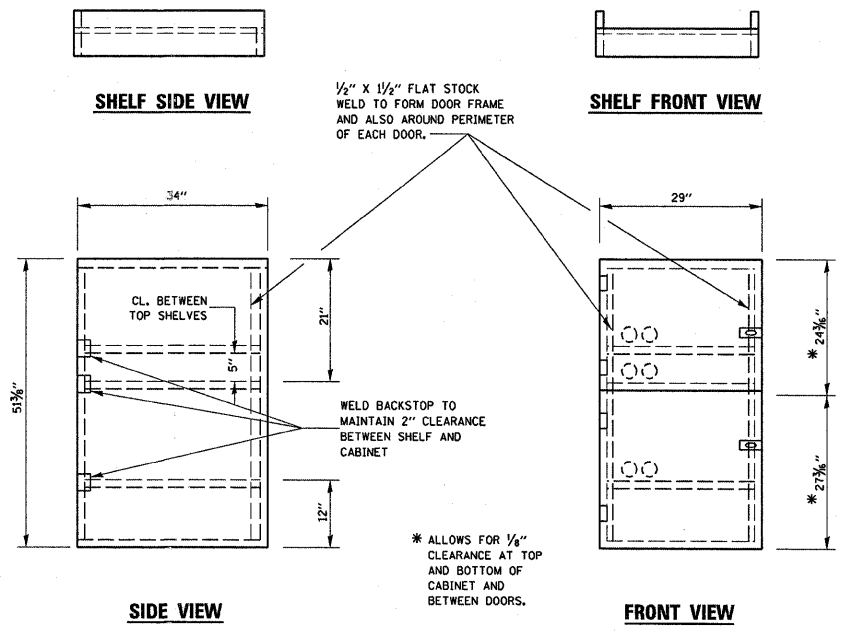
1 1/2" POLYMERIZED ASPHALT HOT-MIX SURF CSE MIX "E" IL-19.0 N105 (TYP)

2 1/4" POLYMERIZED ASPHALT HOT-MIX BIND CSE IL-19.0 N105 (TYP)

END OF PROP PCC PVT CONN SN 006-0009 OR SN 006-0010



TAPERS BY SN 006-0009 THROUGH 006-0012



- NOTES:
1. USE 16 GAUGE STEEL FOR CABINET.
 2. THE TOP SHELF SHALL SLIDE IN OR OUT WITH THE TOP DOOR OPEN.
 3. ALL HINGES AND HASPS WILL BE WELDED TO THE CABINET.
 4. ALL EDGES SHALL BE GROUND SMOOTH.
 5. TWO (2" DIA) ACCESS HOLES WILL BE REQUIRED FOR EACH SHELF.
 6. CABINET SHALL BE PAINTED WITH TWO COATS OF FLAT PAINT.
 7. 2 EACH MATCHING KEY PADLOCKS, WITH 3 KEYS PROVIDED, MASTER MODEL 3 T OR EQUIVALENT.
 8. 4 EACH PLAIN STEEL, NON-REMOVABLE PIN, NO HOLE 4" x 4" SQUARE CORNER HINGES TO BE WELDED ON.
 9. 2 EACH EXTRA HEAVY, PLAIN STEEL, FIXED STAPLE, NO HOLE, 7/4" HASPS TO BE WELDED ON.

LOCKABLE COMPUTER CABINET

| | | | | | | | | | | |
|--|----------------------|----------------|---|---|---------------|-----------------------------|---------|--------------------------|--------------|-----------|
| FILE NAME = | USER NAME = braboygo | DESIGNED - --- | REVISED - --- | STATE OF ILLINOIS DEPARTMENT OF TRANSPORTATION | DETAIL | F.A.I. RTE. | SECTION | COUNTY | TOTAL SHEETS | SHEET NO. |
| cd:\pvt_work\pwtidot\braboygo\dms32763\detp11s.dgn | DRAWN - --- | REVISED - --- | 80 | | | (06-1,2)RS-3, I | BUREAU | 116 | 110 | |
| PLOT SCALE = 20.0911' / IN. | CHECKED - --- | REVISED - --- | CONTRACT NO. 66623 | | | | | | | |
| PLOT DATE = Sep 04, 2008 - 08:23:04 AM | DATE - --- | REVISED - --- | FED. ROAD DIST. NO. [ILLINOIS] FED. AID PROJECT | | | | | | | |
| | | | | | SCALE: _____ | SHEET NO. ___ OF ___ SHEETS | | STA. _____ TO STA. _____ | | |