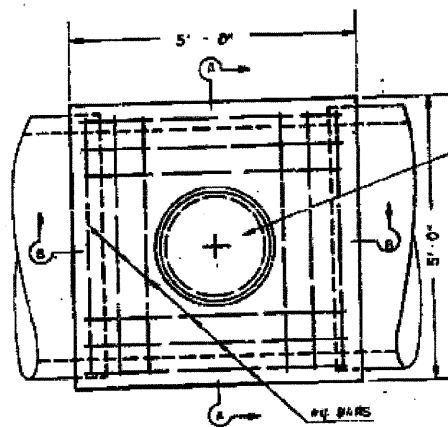
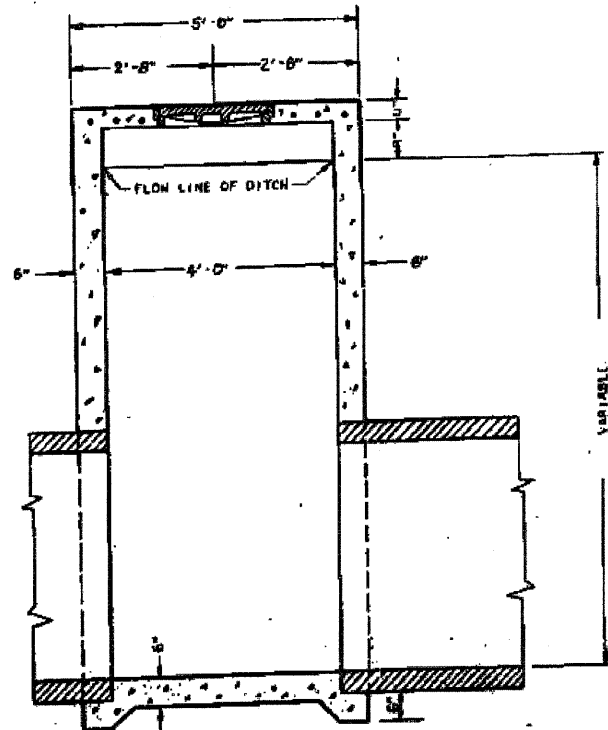


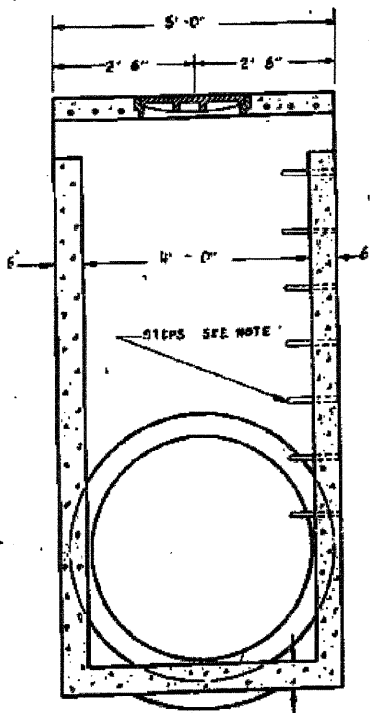
INLETS, SPECIAL, TYPE 2



PLAN



SEC. B-B



SEC. A-A

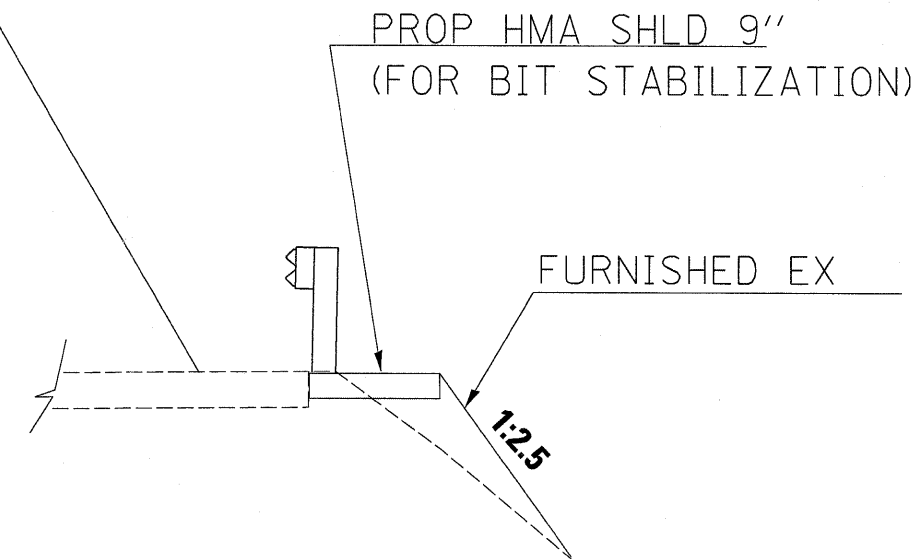
NOTES:
 CONSTRUCT NUMBER OF OPENINGS AS DIRECTED BY THE ENGINEER.
 CLASS "X" CONCRETE SHALL BE USED THROUGHOUT. THE INLET SHALL BE PAID FOR AT THE CONTRACT UNIT PRICE EACH FOR INLETS SPECIAL TYPE 2, WHICH PRICE SHALL INCLUDE THE COST OF THE CAST IRON FRAME, SPECIAL, TYPE 2; TYPE 1 CLOSED LID AND REINFORCEMENT BARS AND SHALL BE PAYMENT IN FULL FOR FURNISHING ALL MATERIAL AND FOR CONSTRUCTING THE WORK COMPLETE IN PLACE.
 STEPS TO BE INSTALLED WHEN DEPTH OF INLET EXCEEDS 4'-0" AND SHALL CONFORM TO THOSE USED IN MANHOLE TYPE "A" AND THEIR COST IS TO BE INCLUDED IN THE UNIT PRICE FOR INLETS SPECIAL TYPE 2.
 INLET SPECIAL TYPE 2 TO BE REINFORCED WITH #4 BARS AT 12" CENTERS WHEN THE VARIABLE DEPTH EXCEEDS 7'-6" AND THEIR COST AND INSTALLATION IS TO BE INCLUDED IN THE CONTRACT UNIT PRICE FOR INLETS SPECIAL TYPE 2.

FOR INFORMATION ONLY

EXISTING INLET TO BE REMOVED AT STA 381+00 (MEDIAN)

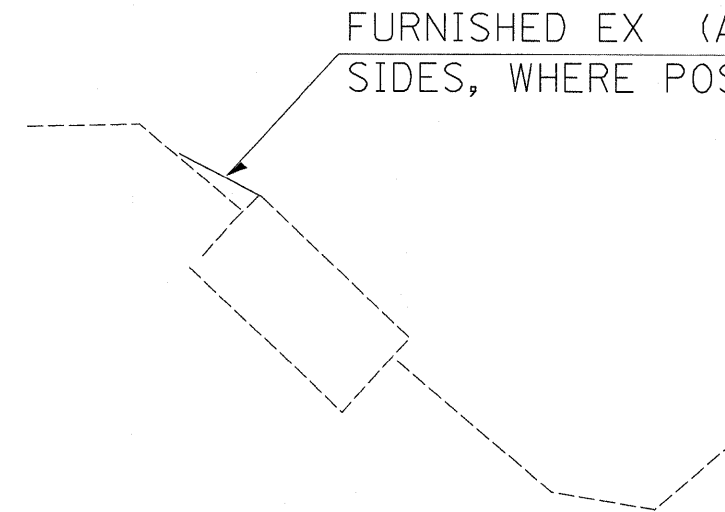
EXIST BIT SHLD

PROP HMA SHLD 9" (FOR BIT STABILIZATION)



BIT STABILIZATION NEEDED BETWEEN SN 006-0009 AND 006-0011 AND BETWEEN 006-0010 AND 006-0012 (MEDIAN AND 10' SIDES)
 ALSO NEEDED AT APPROX STA 278+00 LT & RT (10' SHLD SIDE ONLY)

FURNISHED EX (ALL SIDES, WHERE POSSIBLE)



FURNISHED EXCAVATION NEAR INLETS THAT ARE LOW (SEE DRAINAGE SCHEDULE FOR LOCATIONS)

FILE NAME =	USER NAME = breboypc	DESIGNED -	REVISED -
es:\pw_work\pwsdot\breboypc\dms32763\desig\1s.dgn		DRAWN -	REVISED -
PLOT SCALE = 28.8911" / IN.	CHECKED -	REVISED -	REVISED -
PLOT DATE = Sep 04, 2008 - 09:22:12 AM	DATE -	REVISED -	REVISED -

STATE OF ILLINOIS
 DEPARTMENT OF TRANSPORTATION

DETAIL	
SCALE: _____	SHEET NO. ___ OF ___ SHEETS STA. _____ TO STA. _____

F.A.I. RTE.	SECTION	COUNTY	TOTAL SHEETS	SHEET NO.
80	(06-1,2)RS-3, 1	BUREAU	116	112
FED. ROAD DIST. NO. _____ ILLINOIS FED. AID PROJECT			CONTRACT NO. 66623	