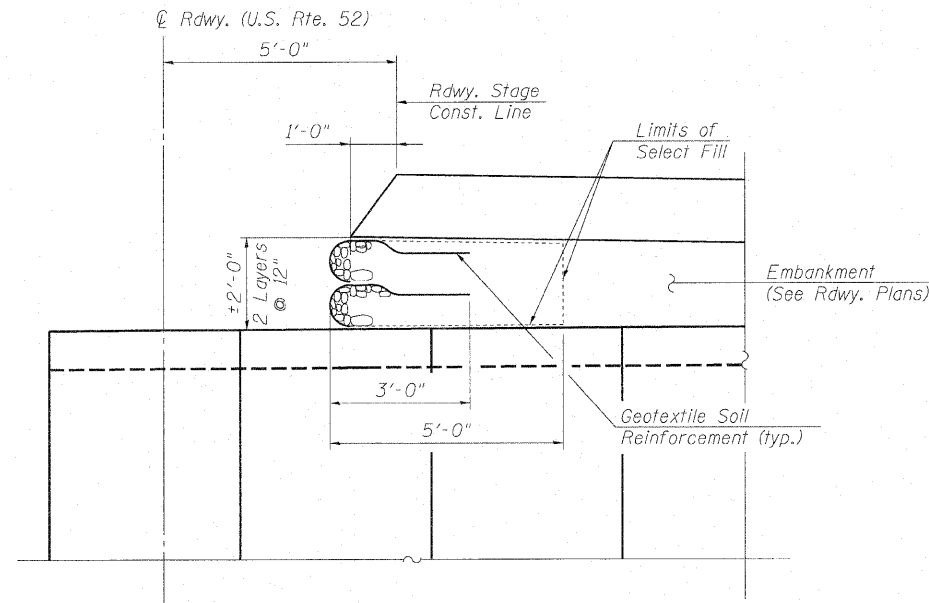


STATE OF ILLINOIS
DEPARTMENT OF TRANSPORTATION

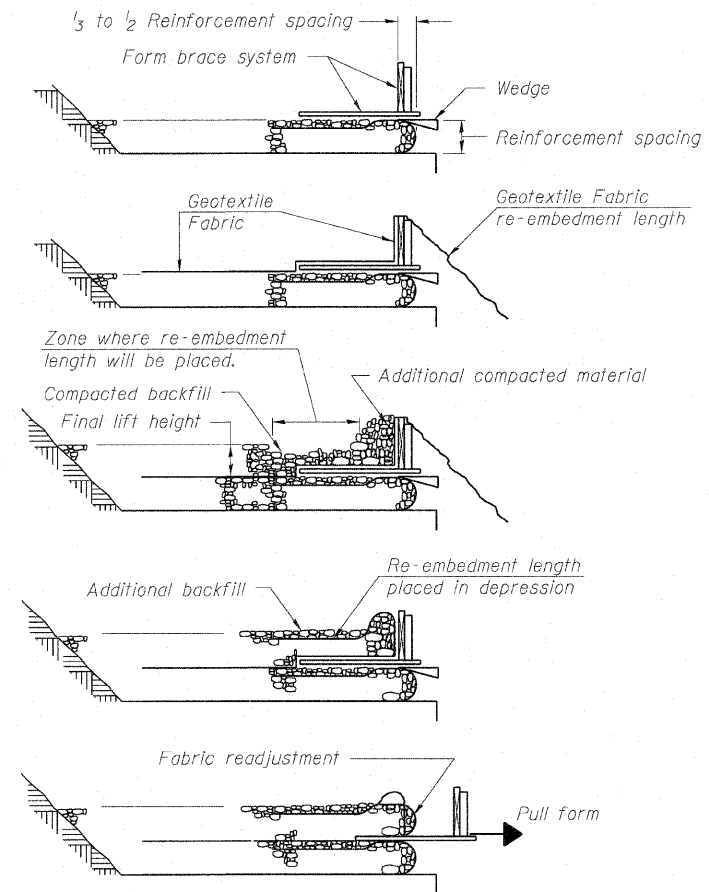
| | | | | |
|---------------------|----------|------------------|--------------|-----------|
| ROUTE NO. | SECTION | COUNTY | TOTAL SHEETS | SHEET NO. |
| F.A.P. 607 | I29BR | KENDALL | 61 | 20 |
| FED. ROAD DIST. NO. | ILLINOIS | FED. AID PROJECT | | |

SHEET NO. 5
16 SHEETS

Contract #66667



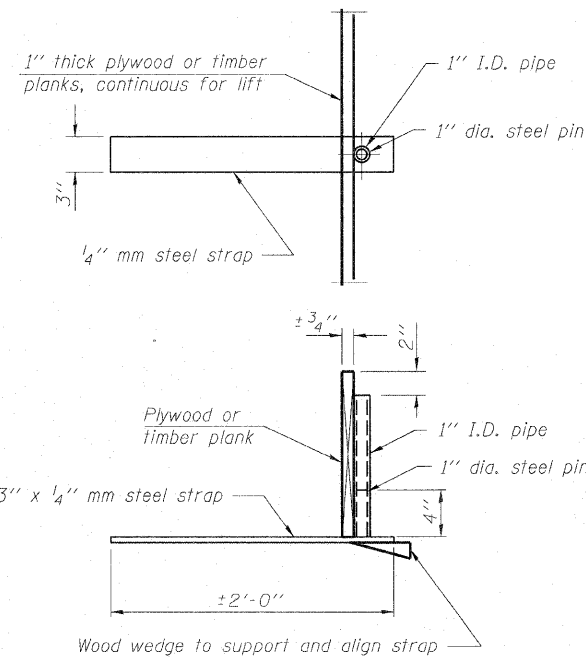
TYPICAL SECTION



1. Place form brace system on completed reinforcement level; back from the finished fabric face a distance of $\frac{1}{3}$ to $\frac{1}{2}$ the reinforcement spacing.
2. Position fabric so that the required re-embedment length extends over the top of the form brace and the design reinforcement width is placed with no slack against the previous level.
3. Compact backfill material in lifts to final lift height, create ($\pm 3''$) depression in zone where re-embedment length will be located and place additional height of compacted material against form brace.
4. Fold fabric re-embedment length back over form brace into zone where depression was made in backfill and place additional compacted backfill, ($\pm 3''$) to embed fabric and bring to final lift height.
5. Pull form brace outward allowing fabric face to slightly readjust to form tight round face and level with plan reinforcement spacing.

GEOTEXTILE WALL
CONSTRUCTION PROCEDURE

Notes: The geotextile fabric shall have a minimum allowable tensile strength (T min.) of 10 lb./in. as determined by the procedure stated in the Special Provisions. The computations supporting the determination of (T min.) shall be submitted to the engineer for approval.



Note: This is a suggested detail, the Contractor is responsible for the design of the form brace system to be used.

BILL OF MATERIAL

| ITEM | UNIT | TOTAL |
|---------------------------|---------|-------|
| Geotextile Retaining Wall | Sq. Ft. | 76 |

SUGGESTED GEOTEXTILE TEMPORARY
FORM BRACE SYSTEM DETAIL

GEOTEXTILE RETAINING WALL
U.S. RTE. 52 OVER WEST AUX SABLE CREEK
F.A.P. 607 - SECTION I29BR
KENDALL COUNTY
STATION 108+07
STRUCTURE NO. 047-2019

Operator: \$USERS\$

Date: 10/30/2007

Filename: \$FILES\$

| | |
|----------|---------------|
| DESIGNED | S.D.S. |
| CHECKED | C.W.C. |
| DRAWN | D.L.H. |
| CHECKED | S.D.S./C.W.C. |

WHKS & CO.
ENGINEERS PLANNERS LAND SURVEYORS
MASON CITY, IOWA DUBUQUE, IOWA AMES, IOWA
E. DUBUQUE, ILLINOIS SPRINGFIELD, ILLINOIS ROCHESTER, MINNESOTA