

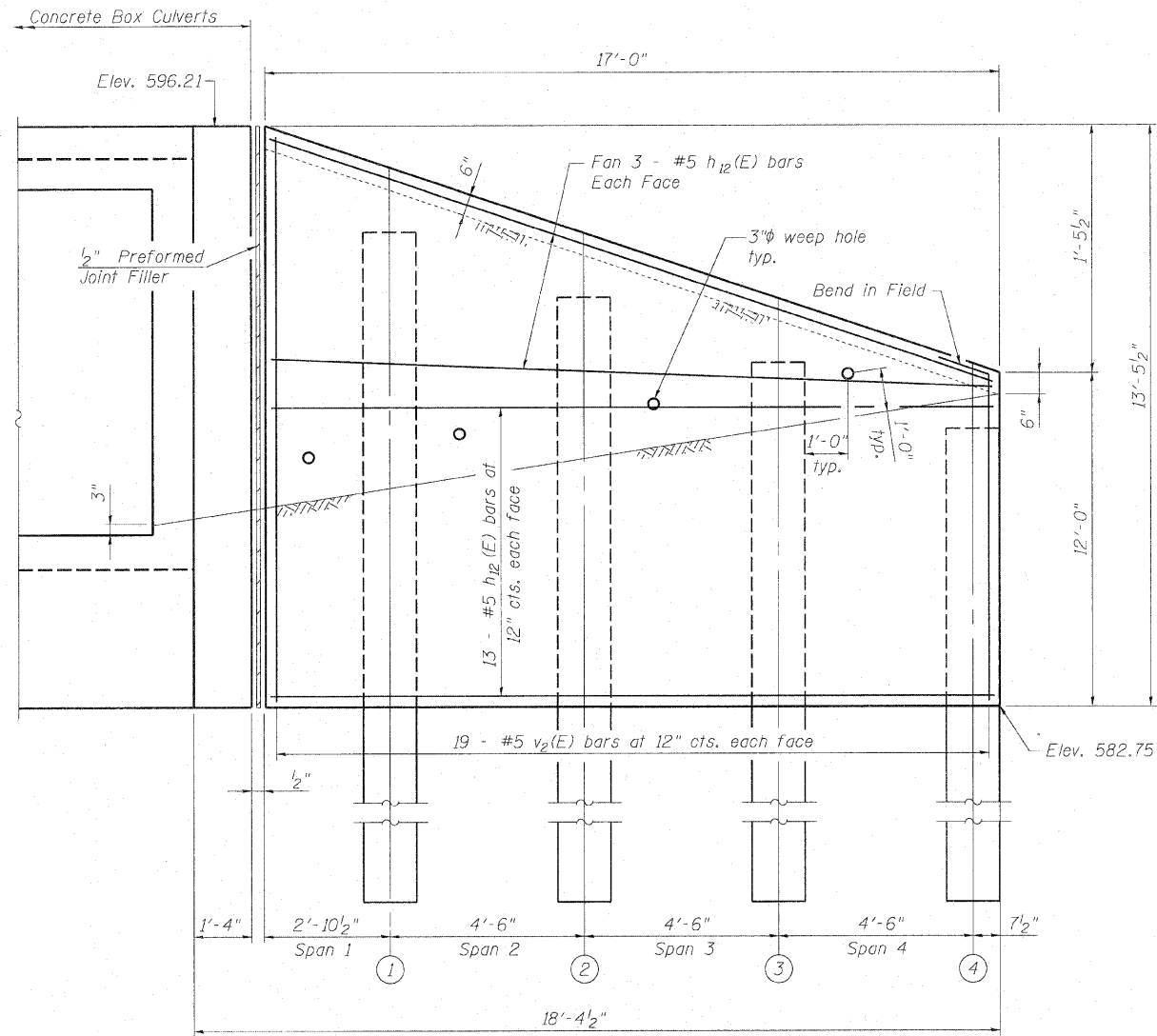
STATE OF ILLINOIS
DEPARTMENT OF TRANSPORTATION

ROUTE NO.	SECTION	COUNTY	TOTAL SHEETS	SHEET NO.	SHEET NO.
F.A.P. 607	129BR	KENDALL	61	26	16 SHEETS
FED. ROAD DIST. NO.	ILLINOIS	FED. AID PROJECT			

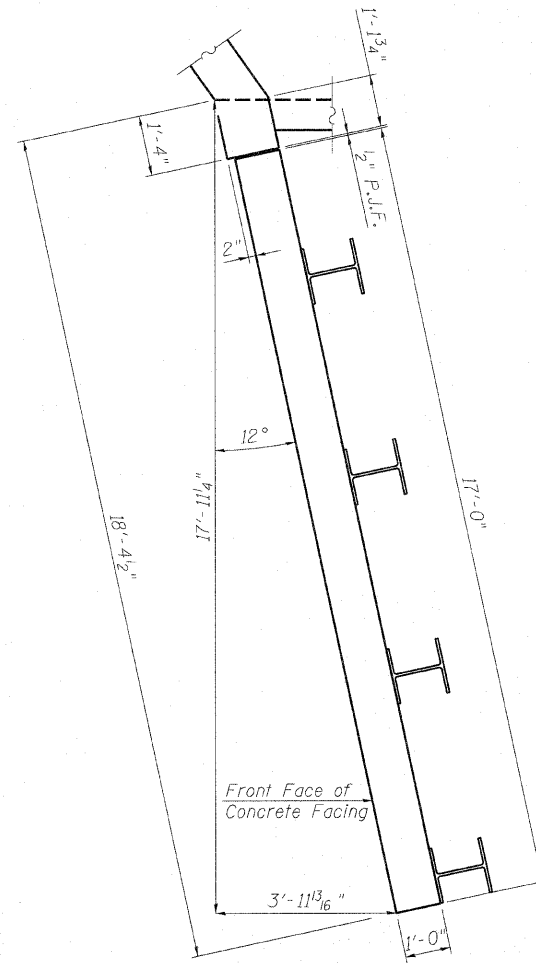
Contract #66667

Operator: \$USERS\$

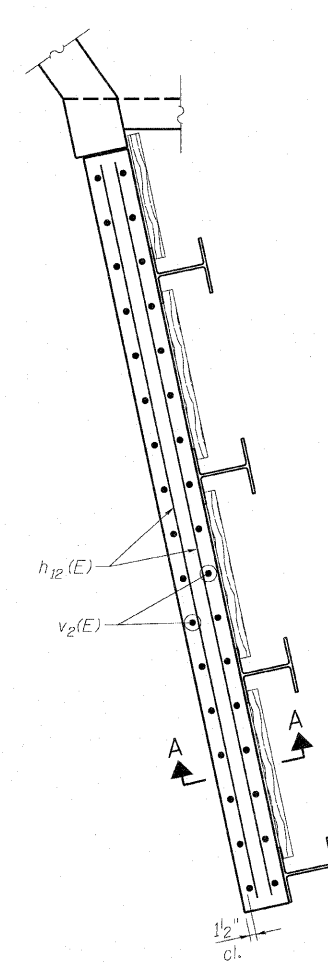
Date: 10/30/2007



ELEVATION
(Looking South)



PLAN



PLAN
(Showing Reinf.)

Filename: \$FILES\$

DESIGNED	S.D.S.
CHECKED	C.W.C.
DRAWN	D.L.H.
CHECKED	S.D.S./C.W.C.

WHKS & CO.
ENGINEERS PLANNERS LAND SURVEYORS
MASON CITY, IOWA DUBUQUE, IOWA AMES, IOWA
E. DUBUQUE, ILLINOIS SPRINGFIELD, ILLINOIS ROCHESTER, MINNESOTA

Notes:

Concrete facing for soldier pile wingwalls is paid for as "Concrete Structures".
The embankment material shall be placed against the rear face of the timber lagging prior to placement of the concrete facing.
For Section A-A, see sheet 12 of 16.

NORTHWEST SOLDIER PILE WINGWALL DETAILS
U.S. RTE. 52 OVER WEST AUX SABLE CREEK
F.A.P. 607 - SECTION 129BR
KENDALL COUNTY
STATION 108+07
STRUCTURE NO. 047-2019