

BENCH MARK: STA 106+31.08, 38.09' LT @
RAILROAD SPIKE IN WOOD POST
ELEVATION = 598.476

EXISTING STRUCTURE: SN 047-0046 BUILT IN THE 1932 AS A TWO SPAN TIMBER
BRIDGE WITH STEEL STRINGERS

@ STA 106+40.52 FAP 607 (US 52)
REMOVE EXISTING STRUCTURE 047-0046
REPLACE WITH PRECAST CONCRETE BOX CULVERT 12' X 10' (SEE DETAIL)

WATER INFORMATION TABLE									
ROUTE:	FAP 607 (US 52)		SN EX: 047-0046						
SECTION:	(129) I		SN PR: 047-2020						
COUNTY:	KENDALL		WATERWAY: LISBON CREEK						
	FREQUENCY (YR)	Q (CFS)	OPENING- SQ FT		NAT HWE	HEAD - FT		HEADWATER ELEV	
			EX	PR		EX	PR	EX	PR
DESIGN	10	725	210	226	595.3	0.2	0.1	595.5	595.4
BASE	50	1069	228	240	595.9	0.2	0.1	596.1	596.0
OVERTOPPING	100	1207	234	240	596.1	0.2	0.1	596.3	596.1
MAX CALC	10	725	210	226	595.3	0.2	0.1	595.5	595.4
	100	1207	234	240	596.1	0.2	0.1	596.3	596.1

10-YEAR VELOCITY THROUGH EX STR = 2.75 FPS 10-YEAR VELOCITY THROUGH PR STR = 3.12 FPS
 • GROSS PR WATERWAY OPENING = 240 SQ FT

LOADING HS20-44
ALLOW 50# / SQ FT FOR FUTURE WEARING SURFACE. (PRECAST)

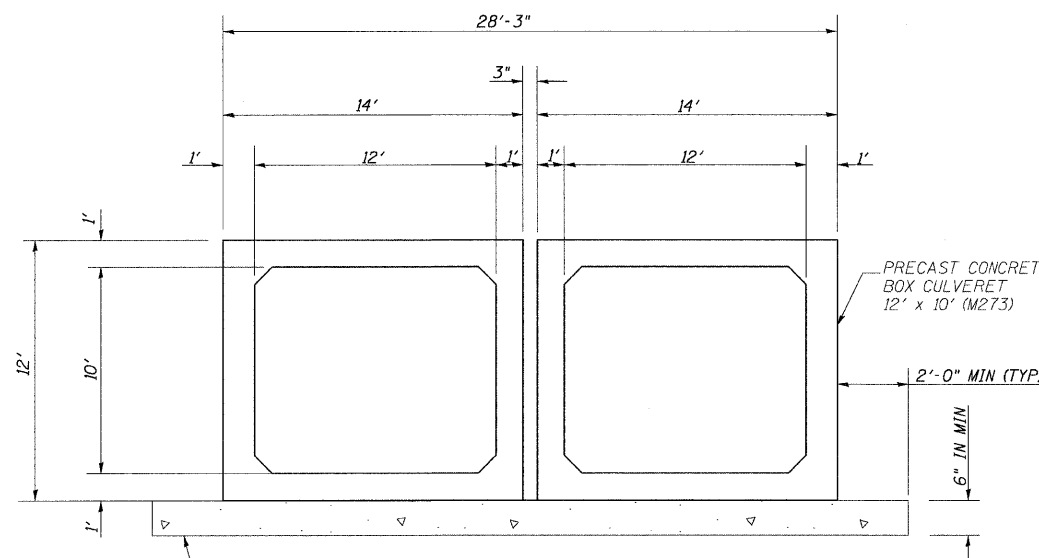
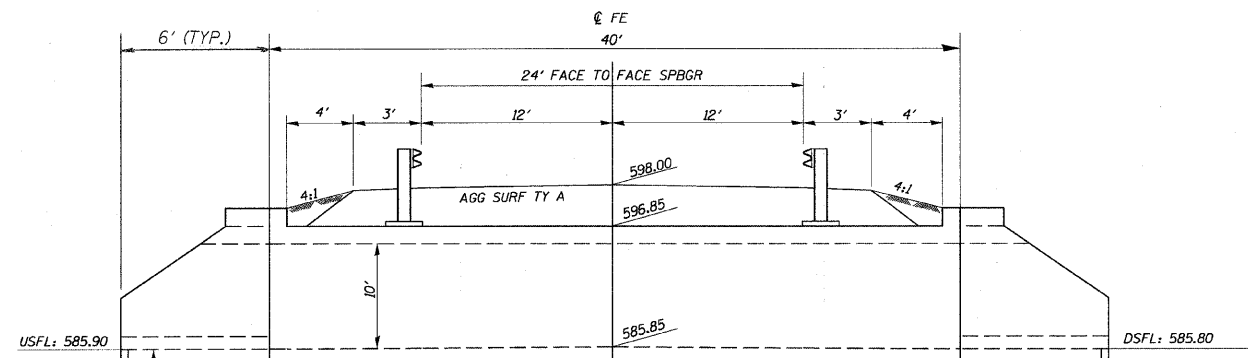
DESIGN SPECIFICATION
2003 ASHTO

DESIGN SPECIFICATION
FIELD UNITS

f'c = 3,500 psi (Cast-In-Place)
f'c = 5,000 psi (Precast)
fy = 60,000 psi (Reinforcement)
fy = 65,000 psi (Welded wire fabric)
Design Fill Height < 2' AASHTO DESIGNATION: M 273

F.A.P. RTE.	SECTION	COUNTY	TOTAL SHEETS	SHEET NO.
607	129 BR	KENDALL	61	32

STA. TO STA.
FED. ROAD DIST. NO. ILLINOIS FED. AID PROJECT



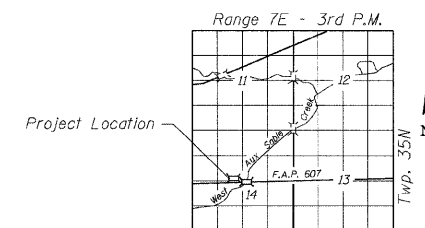
NAME PLATE

SEE STD 515001

STA 106+40.5 (LT)
BUILT 20 BY
STATE OF ILLINOIS
FAP ROUTE 607 SEC 129BR
LOADING HS 20
SN 047-2020

TOTAL BILL OF MATERIAL

ITEM	UNIT	TOTAL
REMOVAL OF EXISTING STRUCTURES	EACH	1
SPBGR, ATTACHED TO STRUCTURES	FOOT	56
PRECAST END SECTION	EACH	4
NAME PLATE	EACH	1
PRECAST CONCRETE BOX CULVERTS 12' X 10' (M273)	FOOT	80



GENERAL PLAN & ELEVATION

U.S. RTE. 52 OVER WEST AUX SABLE CREEK
F.A.P. 607 - SECTION 129BR
KENDALL COUNTY
STATION 106+40.5 LT
STRUCTURE NO. 047-2020

SN 047-2020

TOP VIEW

NOT TO SCALE

PLOT DATE = Sep 05, 2008 - 08:12:15 AM
FILE NAME = c:\p\work\p\m\001\BRABO\PC\dms2286a\detail.dgn
PLOT SCALE = 28.0000' = 1" IN.
Sep 05, 2008 - 08:12:15 AM