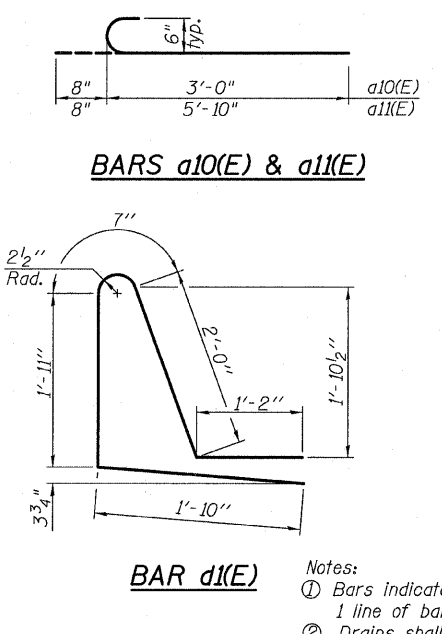
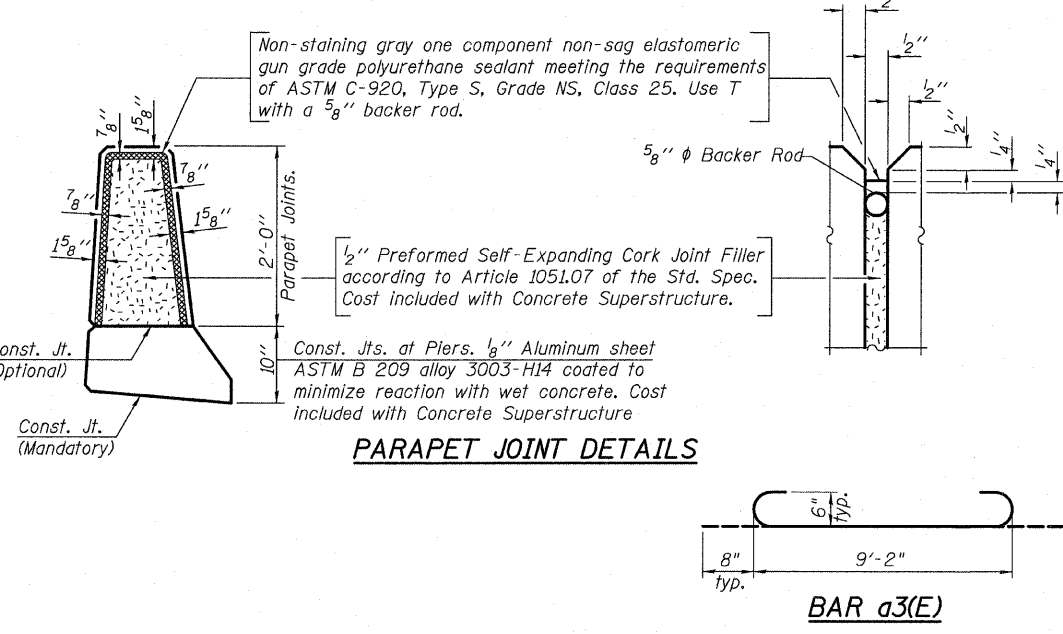
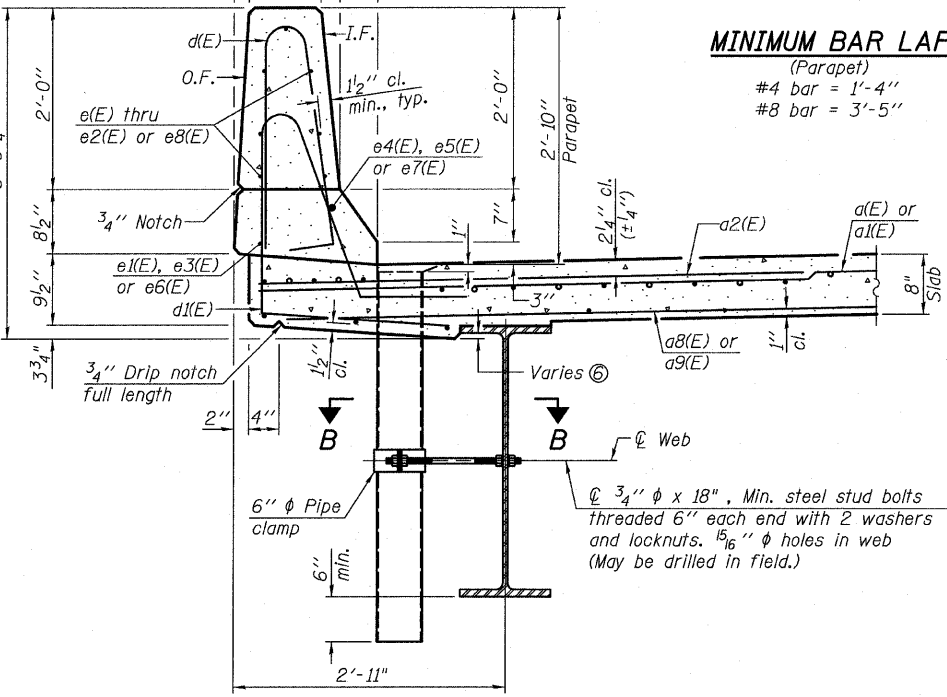
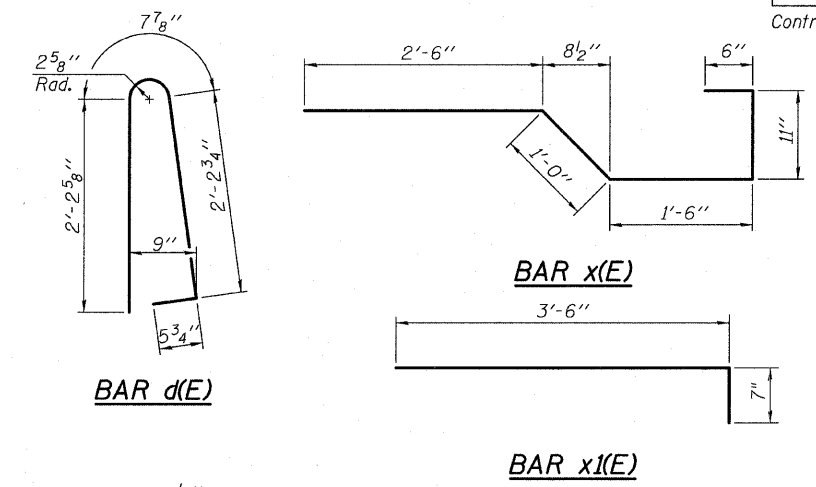
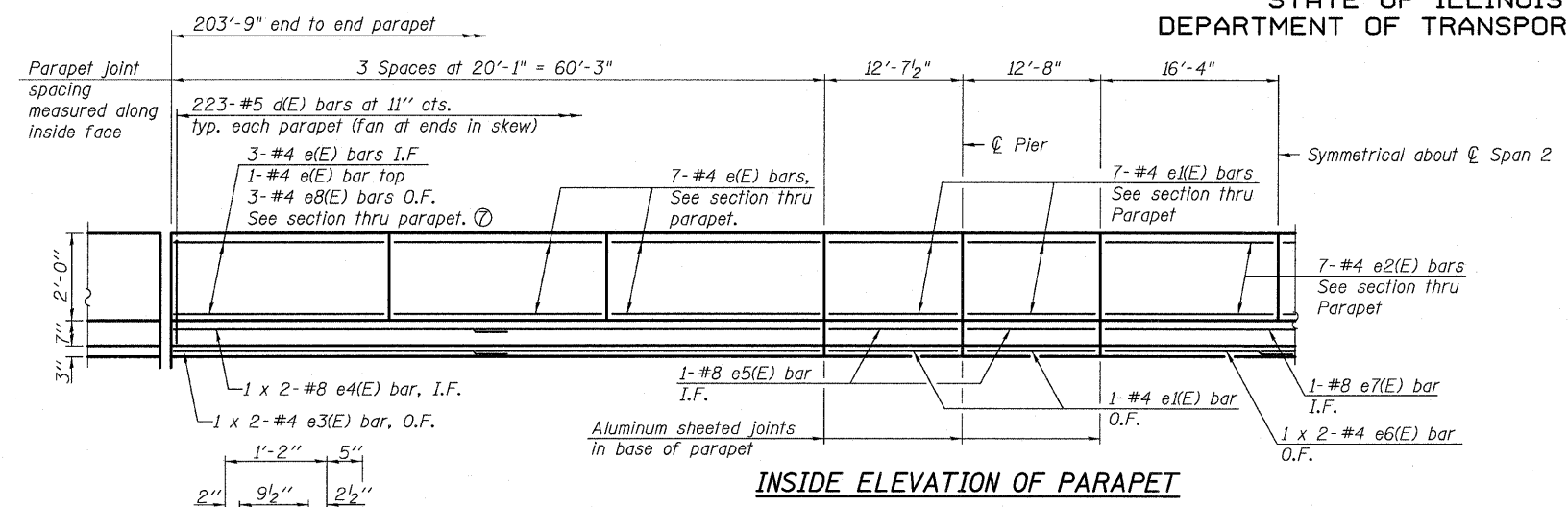


STATE OF ILLINOIS
DEPARTMENT OF TRANSPORTATION

ROUTE NO.	SECTION	COUNTY	LETS	SHEET NO.
FAP 326	119BR	GRUNDY	68	30
FED. ROAD DIST. NO. 7		ILLINOIS	FED. AID PROJECT	
		ILLINOIS	FED. AID PROJECT	

Contract #66687

SHEET NO. 10
27 SHEETS



SUPERSTRUCTURE
BILL OF MATERIAL

Bar	No.	Size	Length	Shape
a1(E)	300	#5	18'-1"	—
a1(E)	300	#5	20'-1"	—
a2(E)	298	#6	6'-0"	—
a3(E)	24	#6	10'-6"	—
a4(E)	2	#6	22'-0"	—
a5(E)	2	#6	24'-10"	—
a6(E)	8	#8	22'-0"	—
a7(E)	8	#8	24'-10"	—
a8(E)	244	#5	17'-9"	—
a9(E)	245	#5	19'-9"	—
a10(E)	6	#6	3'-8"	—
a11(E)	6	#6	6'-6"	—
a12(E)	32	#5	1'-6"	—
b(E)	294	#5	30'-6"	—
b1(E)	156	#6	24'-11"	—
b2(E)	248	#5	26'-11"	—
d(E)	446	#5	5'-7"	—
d1(E)	446	#5	7'-6"	—
e(E)	72	#4	19'-9"	—
e1(E)	64	#4	12'-3"	—
e2(E)	28	#4	16'-0"	—
e3(E)	8	#4	31'-4"	—
e4(E)	8	#8	32'-5"	—
e5(E)	8	#8	12'-4"	—
e6(E)	4	#4	16'-10"	—
e7(E)	2	#8	32'-4"	—
e8(E)	12	#4	21'-2"	—
x(E)	60	#5	6'-5"	—
x1(E)	72	#5	4'-1"	—
Reinforcement Bars, Epoxy Coated		Pound	58,080	
Concrete Superstructure		Cu. Yds.	270.2	

- Notes:
- ① Bars indicated thus 1 x 2 - #4 etc. indicates 1 line of bars with 2 lengths per line.
 - ② Drains shall be located clear of all diaphragms.
 - ③ Floor drains need not be painted.
 - ④ Fiberglass pipe shall conform to ASTM D 2996, with short-time rupture strength hoop tensile stress of 30,000 p.s.i. min.
 - ⑤ Place a6(E) & a7(E) bars under longitudinal bars as shown in Section A-A.
 - ⑥ Dimension varies throughout the length of the structure from 1/4" minimum at the maximum fascia beam fillet height.
 - ⑦ Place e8(E) bars in outside face of SW & NE corners of parapets as required. Cut e8(E) bars in outside face of SE & NW corners of parapets as required.
 - ⑧ I.F. denotes inside face. O.F. denotes outside face.

SUPERSTRUCTURE DETAILS
IL 47 OVER JOHNNY RUN
FAP ROUTE 326 - SECTION 119BR
GRUNDY COUNTY
STATION 582+65.75
STRUCTURE NO. 032-0112

QATES ASSOCIATES
Consulting Engineers

Eastport Business Center 1
100 Lanter Court, Suite 1
Collinsville, Illinois 62234
618-345-2200
Design Firm License No. 184.001115