

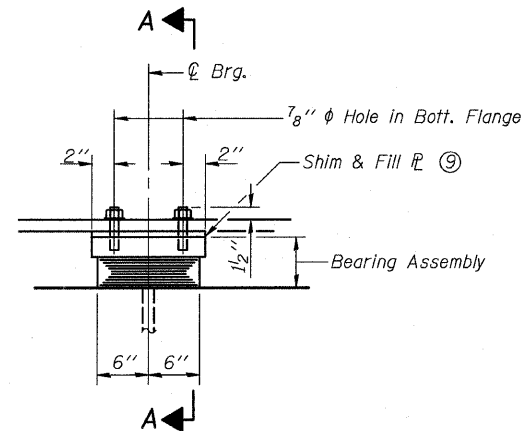
STATE OF ILLINOIS
DEPARTMENT OF TRANSPORTATION

ROUTE NO.	SECTION	COUNTY	SHEET NO.	SHEET NO.
FAP 326	119BR	GRUNDY	68	36
FED. ROAD DIST. NO. 7		ILLINOIS	FED. AID PROJECT	

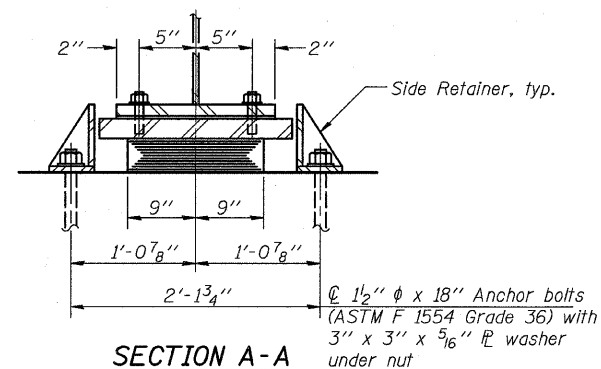
Contract #66687

SHEET NO. 16

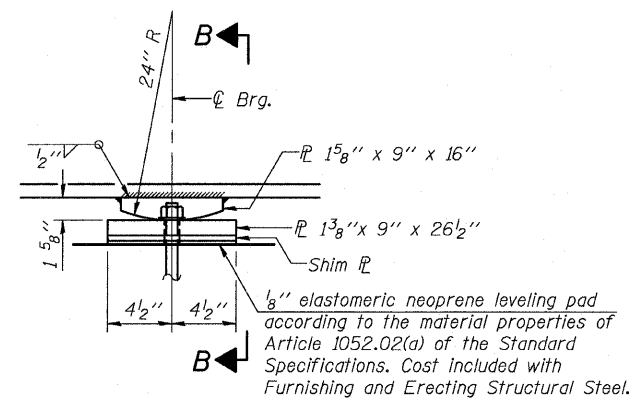
27 SHEETS



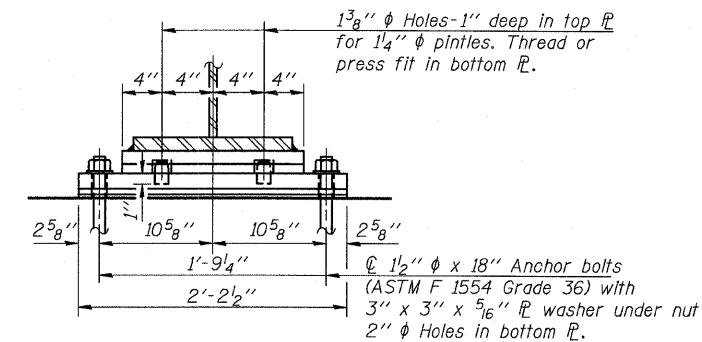
ELEVATION AT PIER 1



SECTION A-A

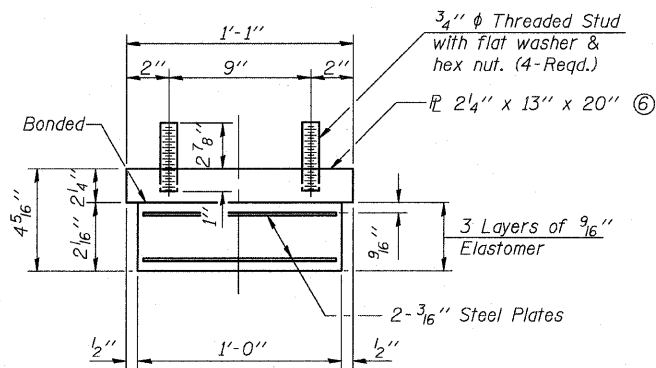


ELEVATION AT PIER 2



SECTION B-B

TYPE I ELASTOMERIC EXP. BRG. AT PIER 1

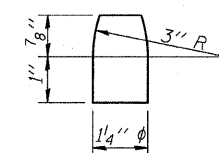


BEARING ASSEMBLY AT PIER 1

(6 Required)

FIXED BEARING AT PIER 2

(6 Required)



PINTLE

(12 Required)

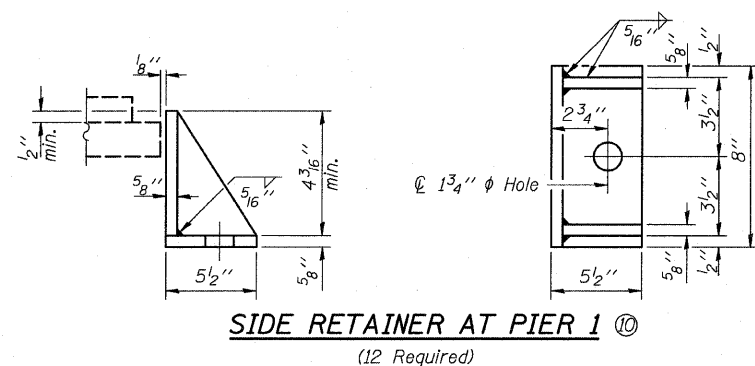
Notes:

- Anchor bolts shall be ASTM F1554 all-thread or an Engineer-approved alternate material of the grade and diameter specified. ASTM A307 Grade C anchor bolts may be used in lieu of ASTM F1554 Grade 36 (Fy=36ksi). The corresponding specified grade of AASHTO M314 anchor bolts may be used in lieu of ASTM F1554.
- Anchor bolts at fixed bearings may be either cast in place or installed in holes drilled after the supported member is in place.
- Anchor bolts for side retainers may be cast in place or installed in holes drilled before or after members are in place.
- Drilled and set anchor bolts shall be installed according to Article 521.06 of the Standard Specifications.
- Side retainers and other steel members required for the bearing assembly shall be included in the cost of Elastomeric Bearing Assembly, Type I.
- The structural steel plates of the Bearing Assembly and Side Retainers shall conform to the requirements of AASHTO M 270 Grade 50W.
- Shim & fill plates shall not be placed under Bearing Assembly.
- Two 1/8 in. adjusting shims shall be provided for each bearing in addition to all other plates or shims and placed as shown on bearing details.
- See sheet 15 of 27 for shim plate location & thickness.
- Equivalent rolled angle with stiffeners will be allowed in lieu of welded plates.

BILL OF MATERIAL

Item	Unit	Total
Elastomeric Bearing Assembly, Type I	Each	6
Anchor Bolts, 1 1/2" ϕ	Each	24

BEARING DETAILS AT PIERS
IL 47 OVER JOHNNY RUN
FAP ROUTE 326 - SECTION 119BR
GRUNDY COUNTY
STATION 582+65.75
STRUCTURE NO. 032-0112



SIDE RETAINER AT PIER 1

(12 Required)

DESIGNED	MJP
CHECKED	NEL
DRAWN	MJP
CHECKED	NEL



OATES ASSOCIATES
Consulting Engineers

Eastport Business Center 1
100 Lanter Court, Suite 1
Collinsville, Illinois 62234
618-345-2200

Design Firm License No. 184.001115