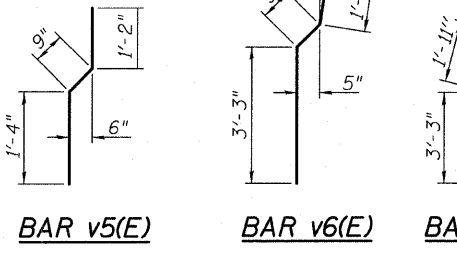
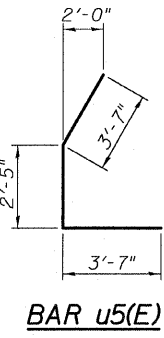
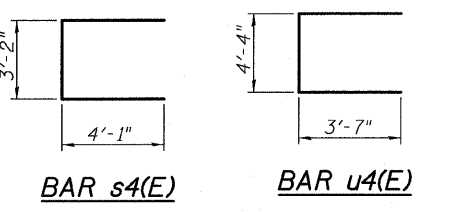
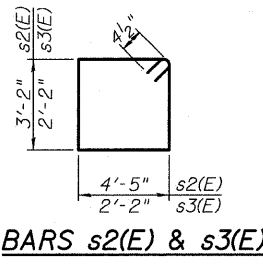
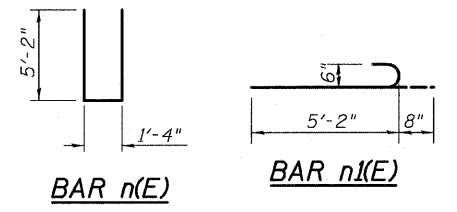
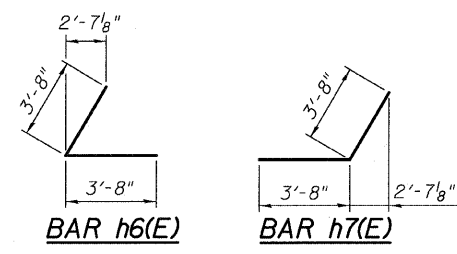


STATE OF ILLINOIS
DEPARTMENT OF TRANSPORTATION

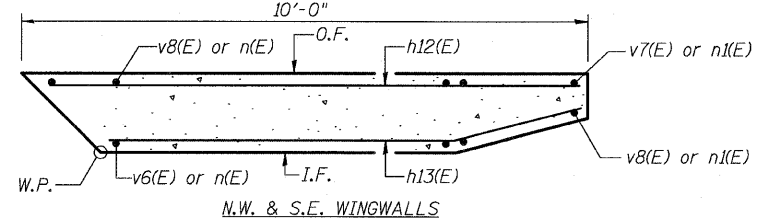
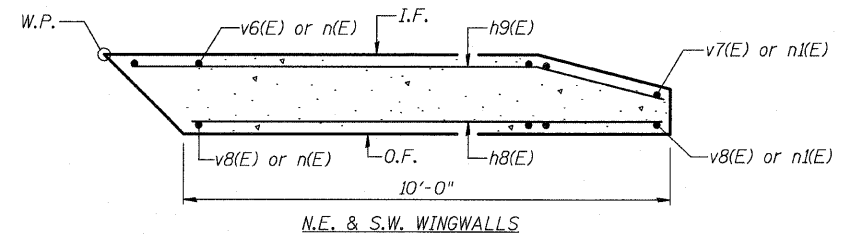
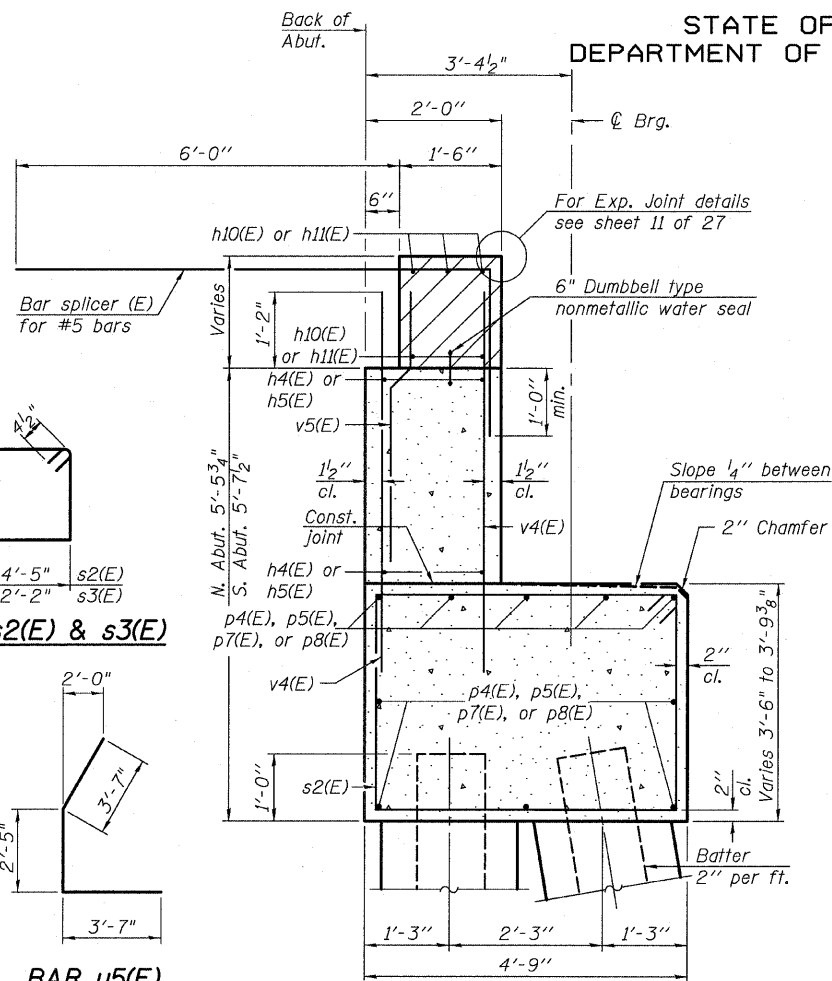
ROUTE NO.	SECTION	COUNTY	TOTAL SHEETS	SHEET NO.
FAP 326	119BR	GRUNDY	68	39
SHEET NO. 19 27 SHEETS				
FED. ROAD DIST. NO. 7	ILLINOIS	FED. AID PROJECT		

Contract #66687

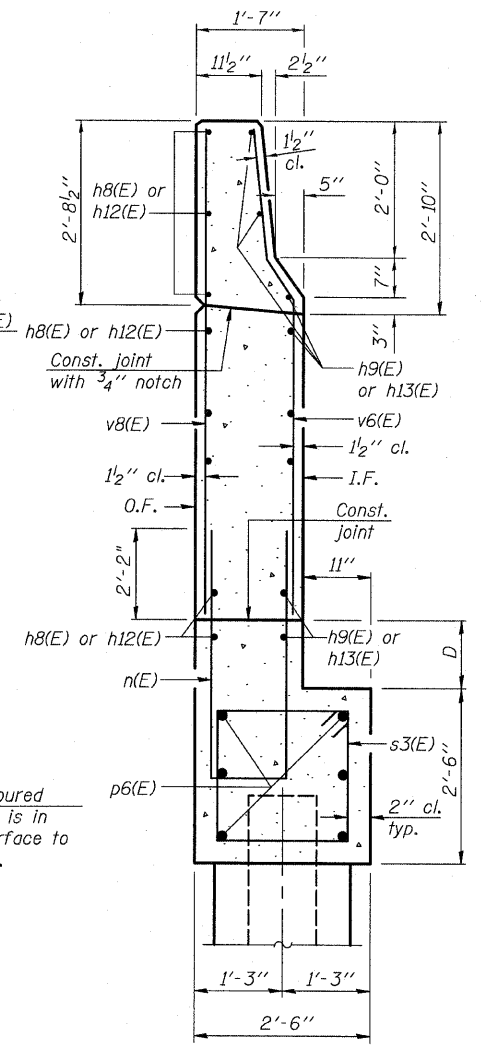
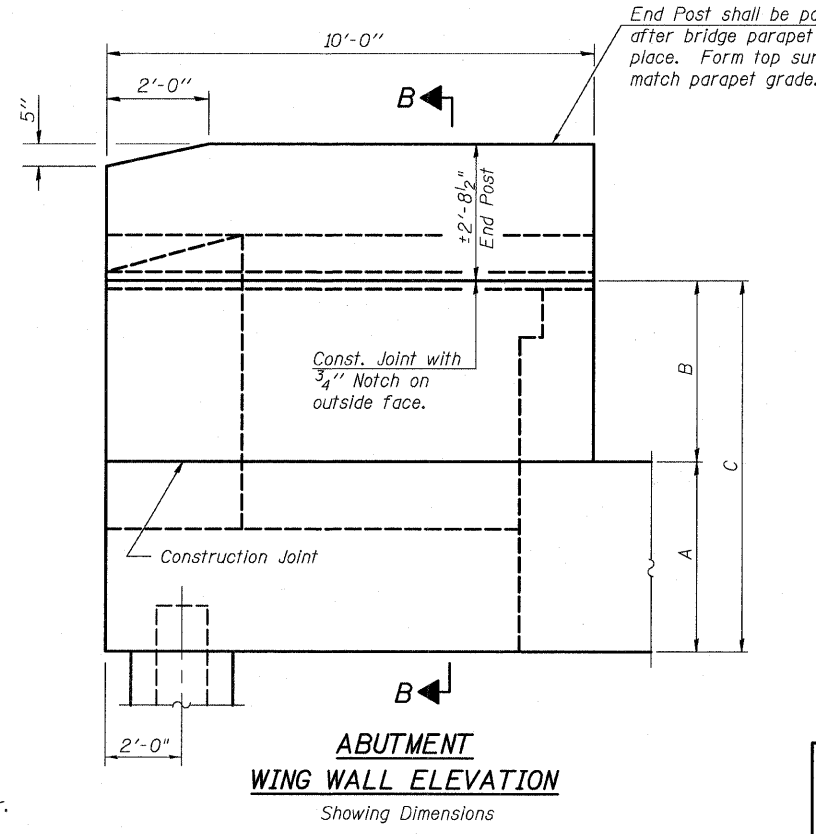
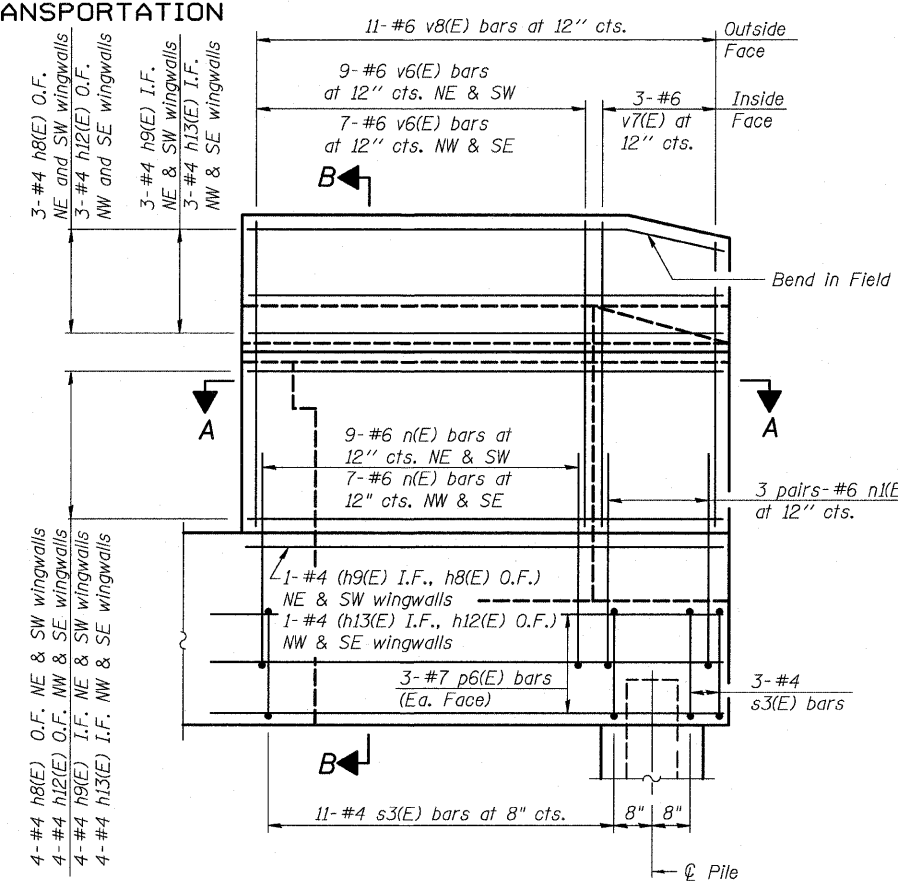


DIMENSION TABLE

	A	B	C	D
N.E. Wingwall	3'-6"	3'-5 3/8"	6'-11 3/8"	1'-0"
N.W. Wingwall	3'-7 3/8"	3'-5 1/2"	7'-0 7/8"	1'-1 3/8"
S.E. Wingwall	3'-7 3/8"	3'-7 1/4"	7'-2 5/8"	1'-1 3/8"
S.W. Wingwall	3'-6"	3'-7"	7'-1"	1'-0"



- Notes:
- Hatched area to be poured after superstructure false work has been removed. Quantity of concrete included with Concrete Superstructure.
 - Space reinforcement in cap to miss anchor bolts.
 - Pour steps monolithically with cap.
 - Quantity of concrete in end post included with Concrete Superstructure on sheet 10 of 27.
 - For Concrete Encasement details, see sheet 22 of 27.
 - The abutments shall have all exposed surfaces of backwalls, bridge seats, and front faces of pile caps treated with Concrete Sealer.
 - I.F. denotes inside face.
O.F. denotes outside face.
 - Min. bar lap: #6 bars = 2'-7".



ABUTMENT DETAILS
IL 47 OVER JOHNNY RUN
FAP ROUTE 326 - SECTION 119BR
GRUNDY COUNTY
STATION 582+65.75
STRUCTURE NO. 032-0112

DESIGNED	MJP
CHECKED	DGL
DRAWN	MJP
CHECKED	DGL

OATES ASSOCIATES
Consulting Engineers

Eastport Business Center 1
100 Lanter Court, Suite 1
Collinsville, Illinois 62234
618-345-2200
Design Firm License No. 184.001115