

STATE OF ILLINOIS
DEPARTMENT OF TRANSPORTATION

ROUTE NO.	SECTION	COUNTY	TOTAL SHEETS	SHEET NO.
FAP 326	119BR	GRUNDY	68	43
FED. ROAD DIST. NO. 7		ILLINOIS	FED. AID PROJECT	

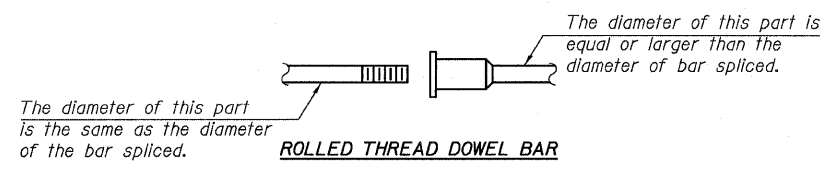
SHEET NO. 23
27 SHEETS

Contract #66687

NOTES

Bar splicer assemblies shall be of an approved type and shall develop in tension at least 125 percent of the yield strength of the lapped reinforcement bars.
Splicer rods shall be of minimum 60 ksi yield strength, threaded or coiled full length.
All reinforcement bars shall be lapped and tied to the splicer rods or dowel bars.
Bar splicer assemblies shall be epoxy coated according to the requirements for reinforcement bars.
Other systems of similar design may be submitted to the Engineer for approval. Approval shall be based on certified test results from an approved testing laboratory that the proposed bar splicer assembly satisfies the following requirements:

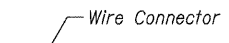
- ① Minimum Capacity (Tension in kips) = $1.25 \times f_y \times A_t$
 - ② Minimum *Pull-out Strength (Tension in kips) = $0.66 \times f_y \times A_t$
- Where f_y = Yield strength of lapped reinforcement bars in ksi.
 A_t = Tensile stress area of lapped reinforcement bars.
* = 28 day concrete



ROLLED THREAD DOWEL BAR



** ONE PIECE

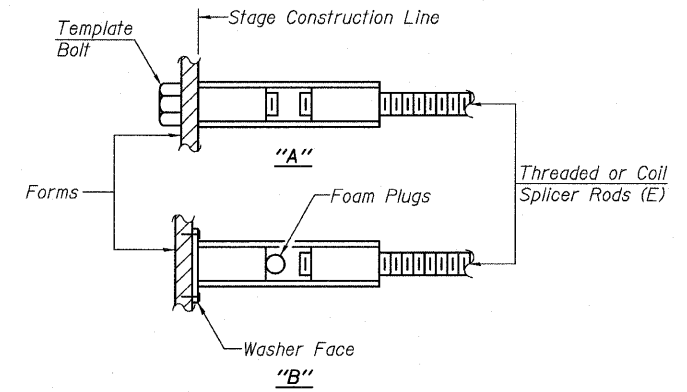


WIRE CONNECTOR

WELDED SECTIONS

BAR SPLICER ASSEMBLY ALTERNATIVES

**Heavy Hex Nuts conforming to ASTM A 563, Grade C, D or DH may be used.

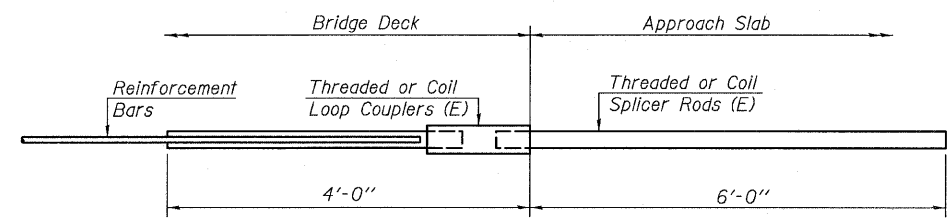


INSTALLATION AND SETTING METHODS

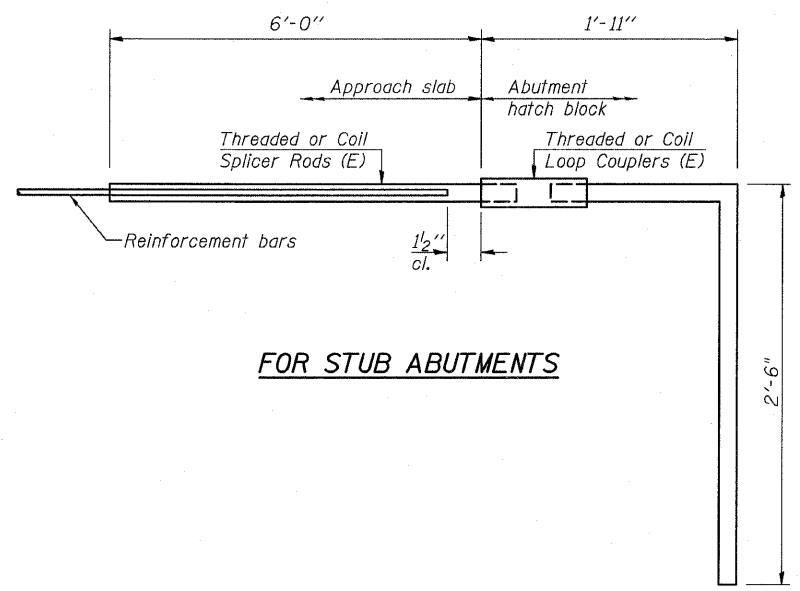
"A" :Set bar splicer assembly by means of a template bolt.
"B" :Set bar splicer assembly by nailing to wood forms or cementing to steel forms.
(E) : Indicates epoxy coating.

BAR SPLICER ASSEMBLIES

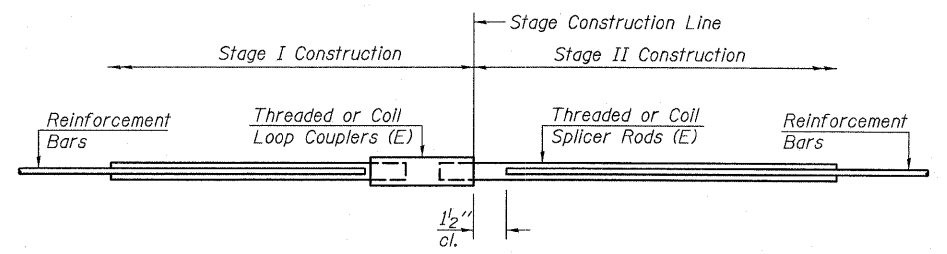
Bar Size to be Spliced	Splicer Rod or Dowel Bar Length	Strength Requirements	
		Min. Capacity kips - tension	Min. Pull-Out Strength kips - tension
#4	1'-8"	14.7	7.9
#5	2'-0"	23.0	12.3
#6	2'-7"	33.1	17.4
#7	3'-5"	45.1	23.8
#8	4'-6"	58.9	31.3
#9	5'-9"	75.0	39.6
#10	7'-3"	95.0	50.3
#11	9'-0"	117.4	61.8



FOR INTEGRAL OR SEMI-INTEGRAL ABUTMENTS



FOR STUB ABUTMENTS



STANDARD

Bar Size	No. Assemblies Required	Location
#5	535	Deck
#5	4	S. Abut.
#5	20	Pier 1
#5	4	N. Abut.
#6	8	Deck
#6	5	S. Abut.
#6	24	Pier 2
#6	5	N. Abut.
#7	10	Pier 1
#7	10	Pier 2
#8	8	Deck
#8	10	S. Abut.
#8	10	N. Abut.

Bar Splicer for #5 bar	
Min. Capacity =	23.0 kips - tension
Min. Pull-out Strength =	12.3 kips - tension
No. Required =	

Bar Splicer for #5 bar	
Min. Capacity =	23.0 kips - tension
Min. Pull-out Strength =	12.3 kips - tension
No. Required =	104

**BAR SPLICER ASSEMBLY DETAILS
IL 47 OVER JOHNNY RUN
FAP ROUTE 326 - SECTION 119BR
GRUNDY COUNTY
STATION 582+65.75
STRUCTURE NO. 032-0112**

DESIGNED -	
CHECKED -	
DRAWN -	
CHECKED -	

BSD-1 5-16-08

OATES ASSOCIATES
Consulting Engineers
Eastport Business Center 1
100 Lanter Court, Suite 1
Collinsville, Illinois 62234
618-345-2200
Design Firm License No. 184.001115