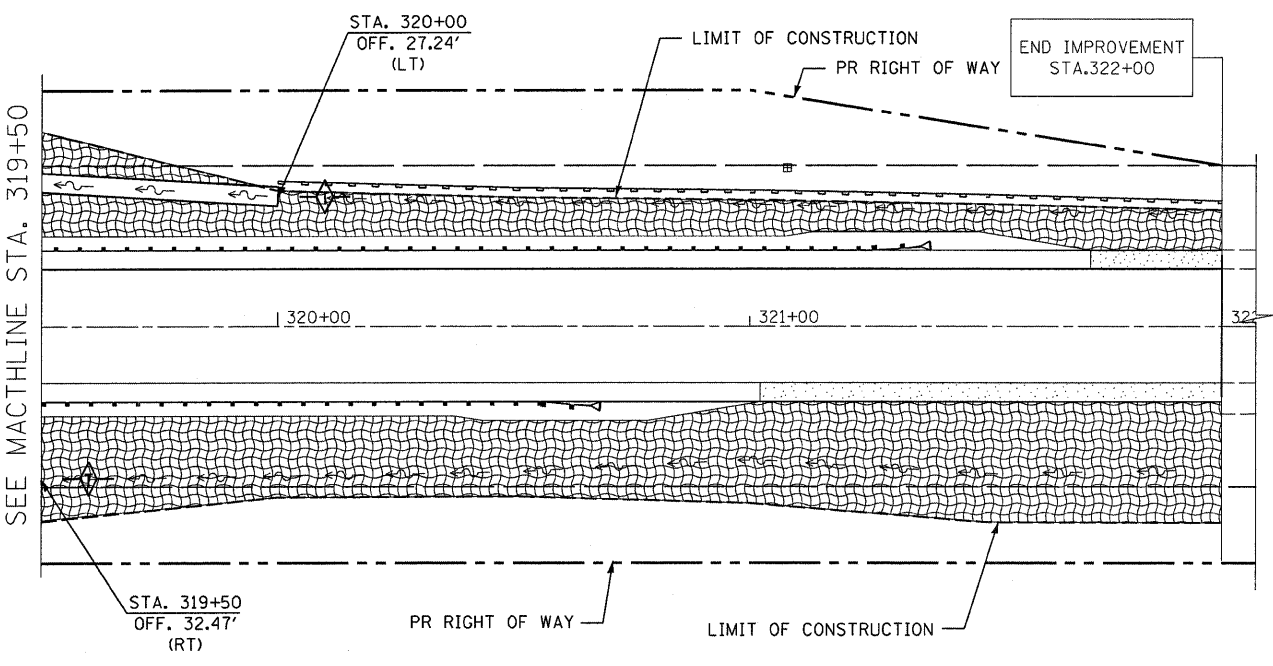
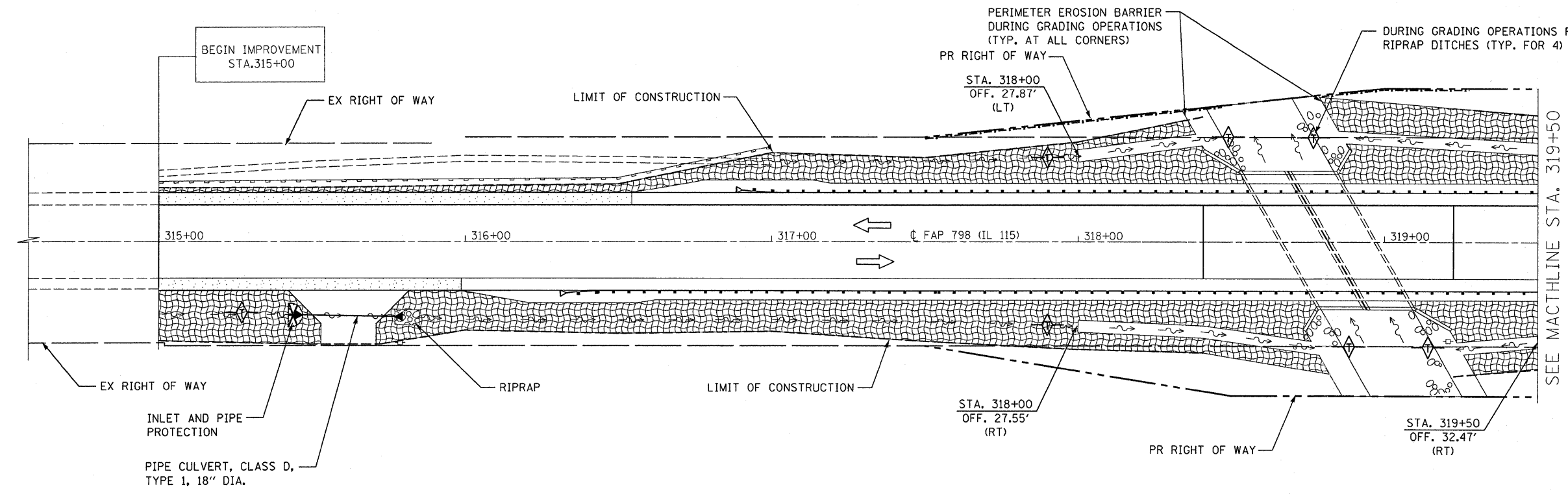
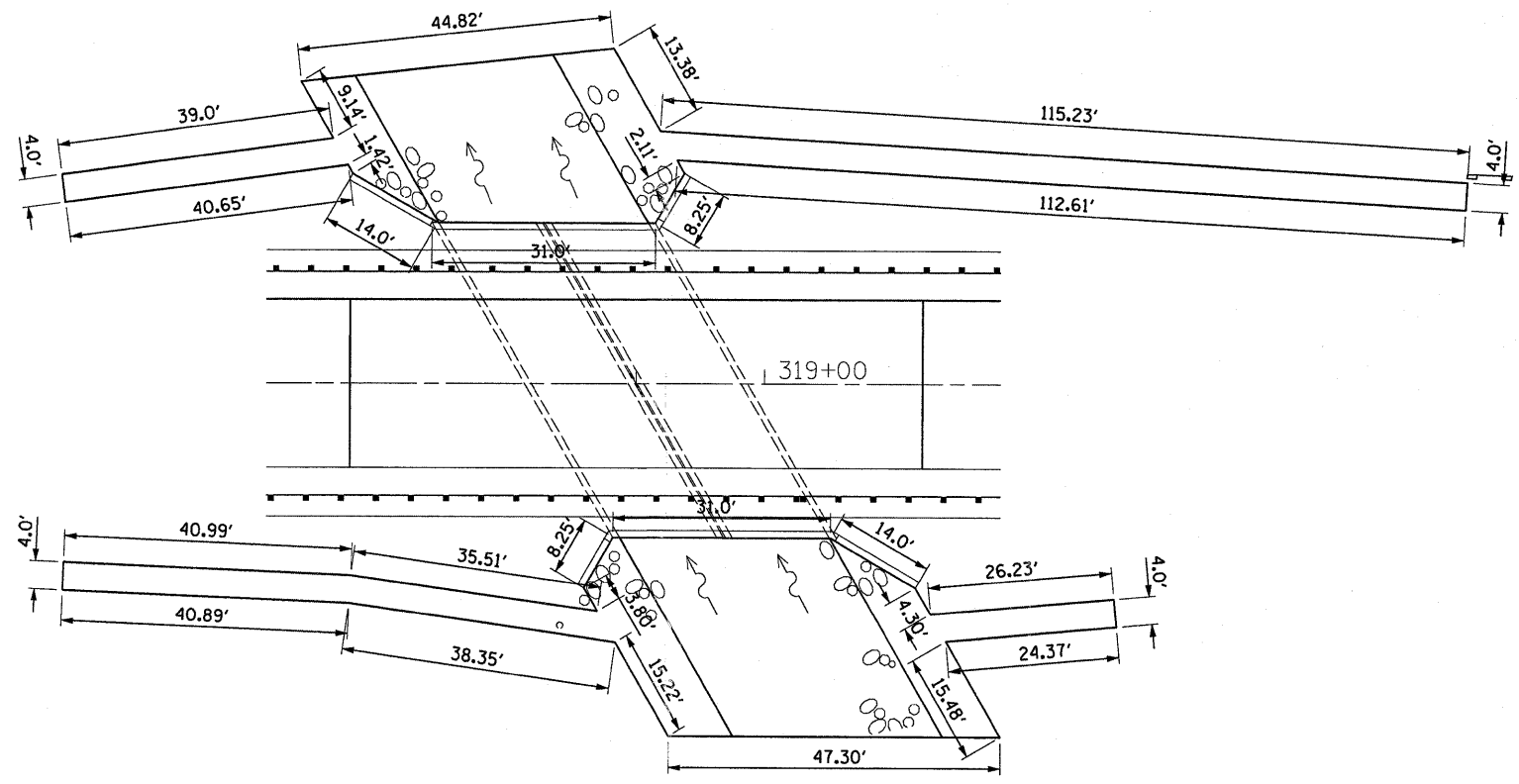




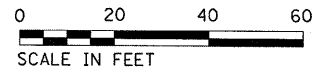
- LEGEND:**
- PROPOSED DITCH
 - PROPOSED SWALE
 - END SECTION
 - TEMPORARY DITCH CHECK
 - RIPRAP, CLASS A4
 - EROSION CONTROL BLANKET AND PERMANENT SEEDING CLASS 3 (TEMPORARY EROSION CONTROL SEEDING AS NEEDED)
 - INLET AND PIPE PROTECTION
 - RIPRAP
 - PERIMETER EROSION BARRIER



EROSION CONTROL PLAN



RIPRAP LAYOUT PLAN
N.T.S.



FILE NAME =	USER NAME = carpenterd_j	DESIGNED - DB	REVISED -	STATE OF ILLINOIS DEPARTMENT OF TRANSPORTATION	EROSION AND SEDIMENT CONTROL PLAN SN 027-2016				F.A.P. RTE.	SECTION	COUNTY	TOTAL SHEETS	SHEET NO.		
c:\pwork\pwork\DOT\CARPENTERD_J\dms30072	erc-0031.dgn	DRAWN - RM/FZ/DK/NS	REVISED -		SCALE: 1" = 20'	SHEET NO.	OF	SHEETS	STA. 315+00	TO STA. 322+00	798	107-BR, 108-BR, 108-BR-1	FORD	92	25
	PLOT SCALE = 20.00' / IN.	CHECKED - AS	REVISED -		CONTRACT NO. 66698										
	PLOT DATE = Aug 22, 2008 - 01:26:25 PM	DATE - AUGUST 2008	REVISED -		FED. ROAD DIST. NO. ILLINOIS FED. AID PROJECT										