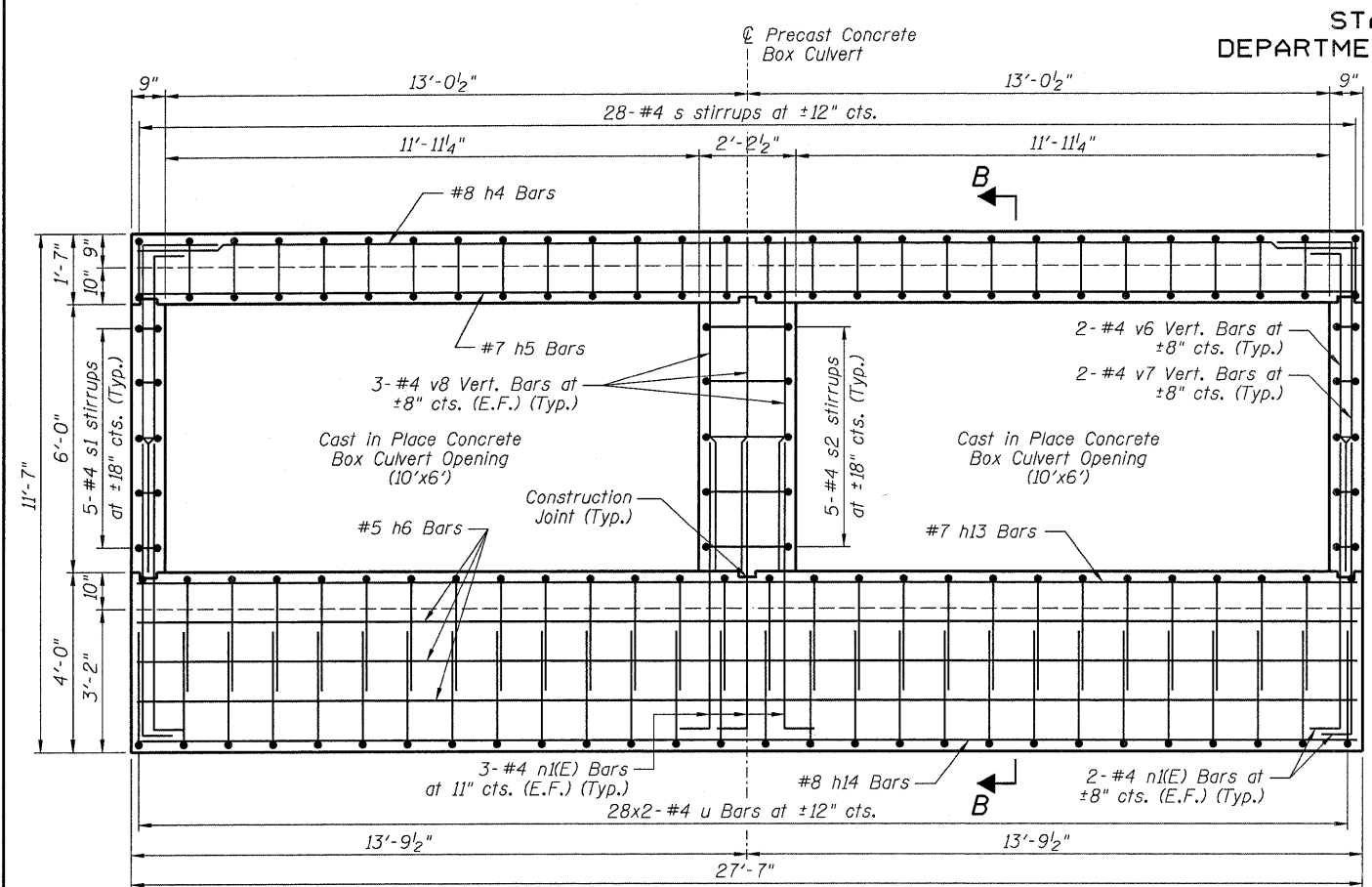
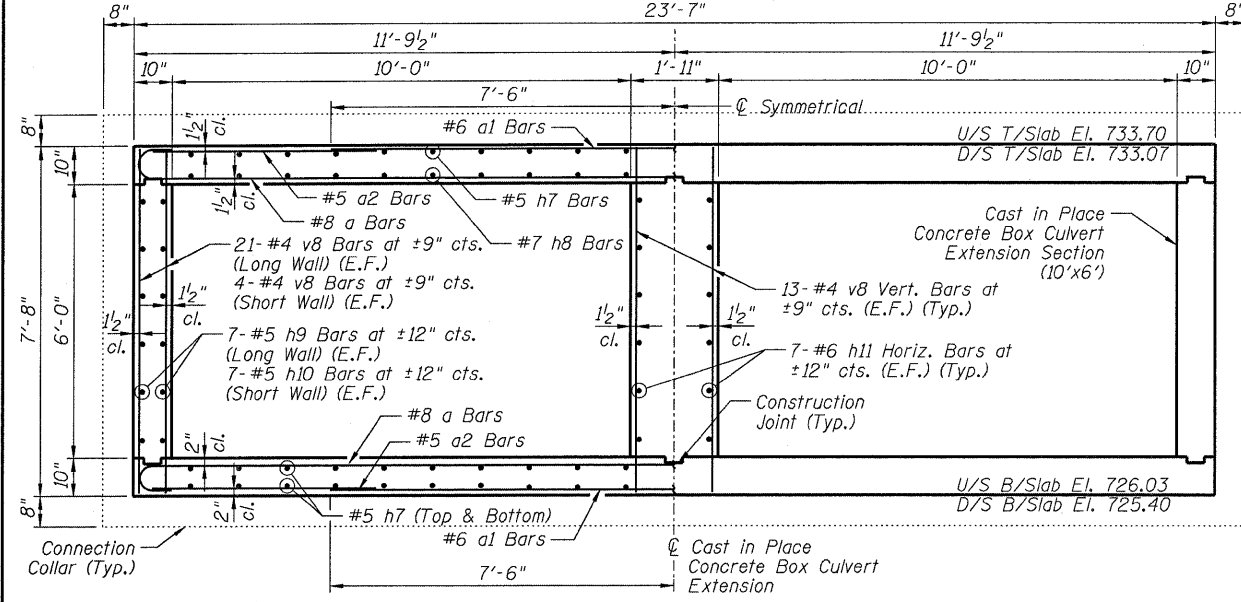


STATE OF ILLINOIS
DEPARTMENT OF TRANSPORTATION

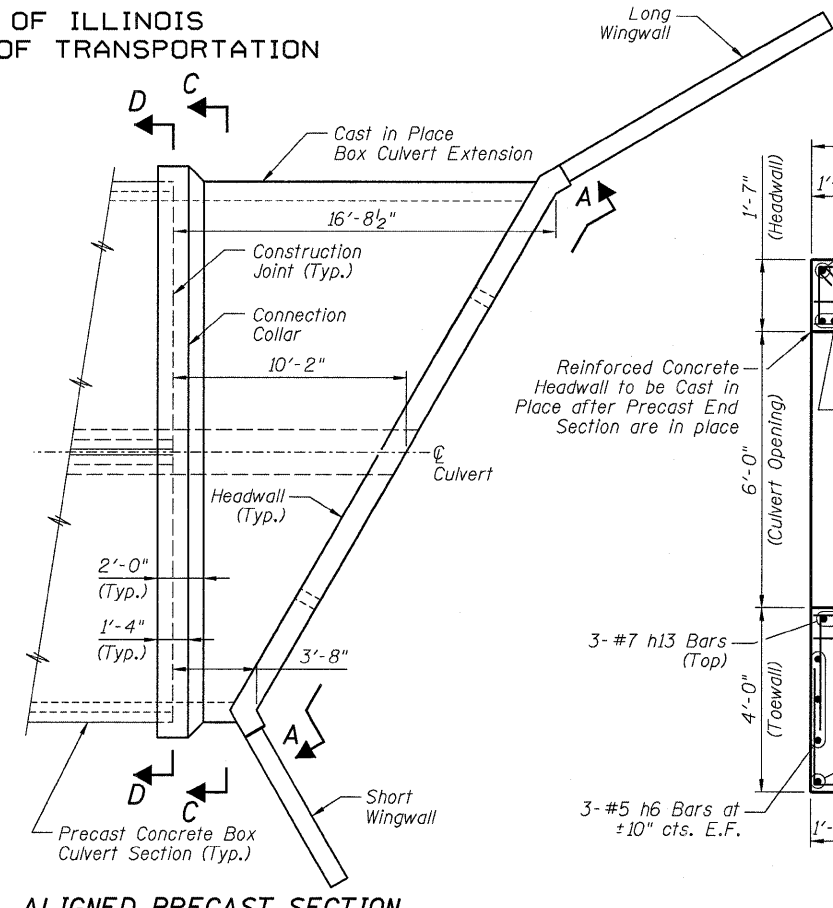
ROUTE NO.	SECTION	COUNTY	SHEET NO.	SHEET	SHEET NO. S3
F.A.P. 798	#	FORD	92	52	S4 SHEETS
FED. ROAD DIST. NO.	ILLINOIS	FED. AID PROJECT			



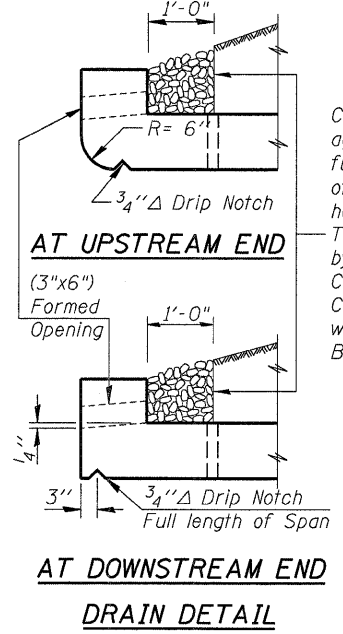
HEADWALL SECTION (A-A)
(Cut Along Skew)



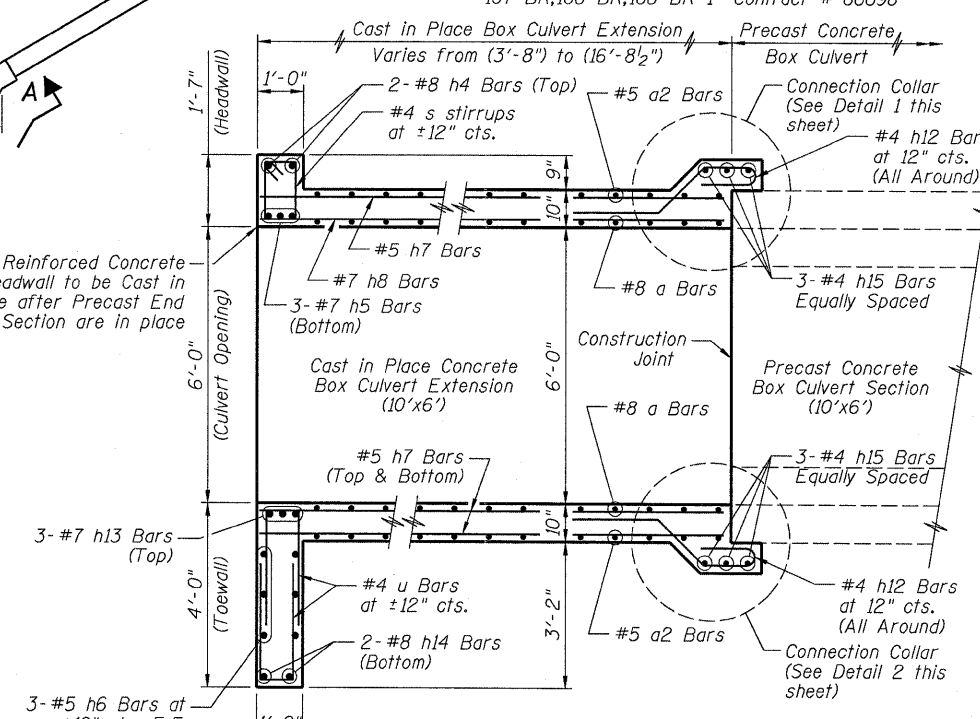
CAST IN PLACE BOX CULVERT EXTENSION SECTION (C-C)



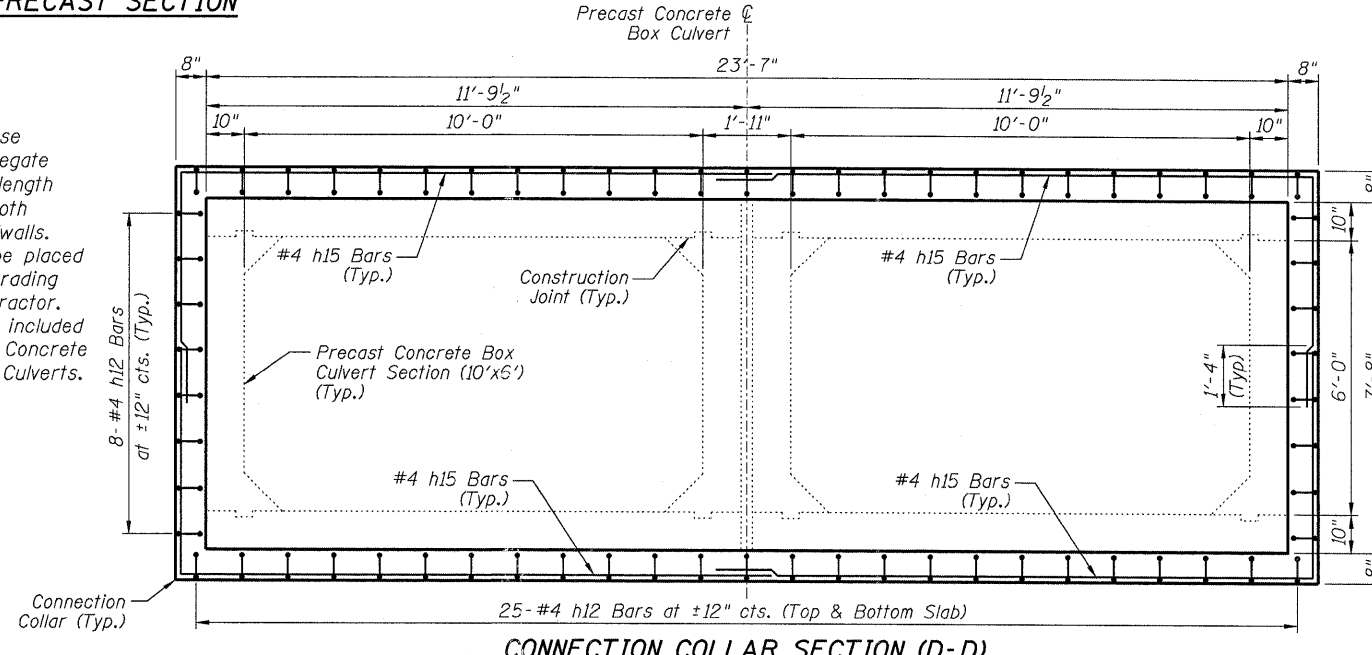
ALIGNED PRECAST SECTION



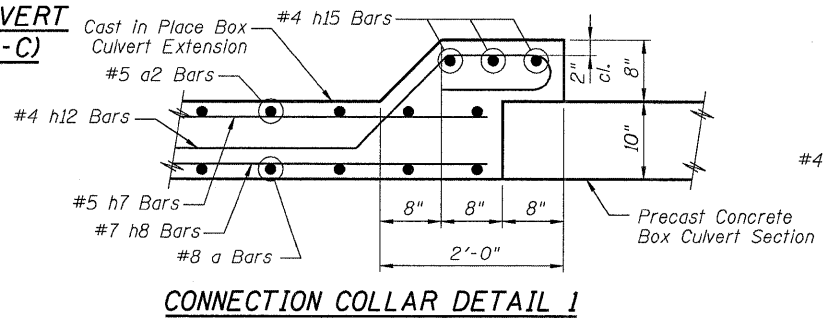
DRAIN DETAIL



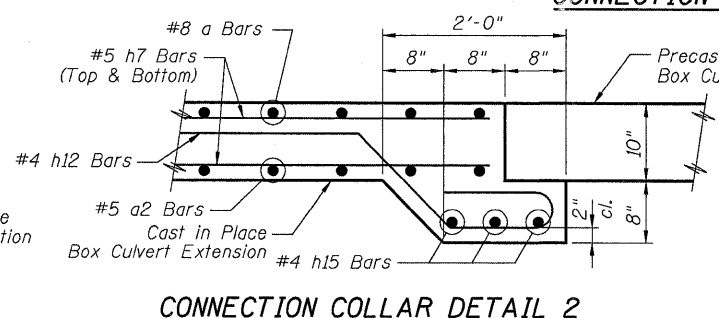
CAST IN PLACE HEADWALL AND BOX CULVERT EXTENSION SECTION (B-B)



CONNECTION COLLAR SECTION (D-D)



CONNECTION COLLAR DETAIL 1



CONNECTION COLLAR DETAIL 2

DESIGNED	GBC/GMK	200
CHECKED	GBC/SMK/GMK	ENGINEER OF BRIDGE DESIGN
DRAWN	RR	PASSED
CHECKED	SMK	ENGINEER OF BRIDGES AND STRUCTURES

HEADWALL SECTIONS AND DETAILS
ILLINOIS ROUTE 115 OVER DRAINAGE DITCH
F.A.P. ROUTE 798 - SECTION 108-BR
FORD COUNTY
STATION 318+82.42
EXISTING STRUCTURE NO. 027-0031
PROPOSED STRUCTURE NO. 027-2016
Scale: None August 2008