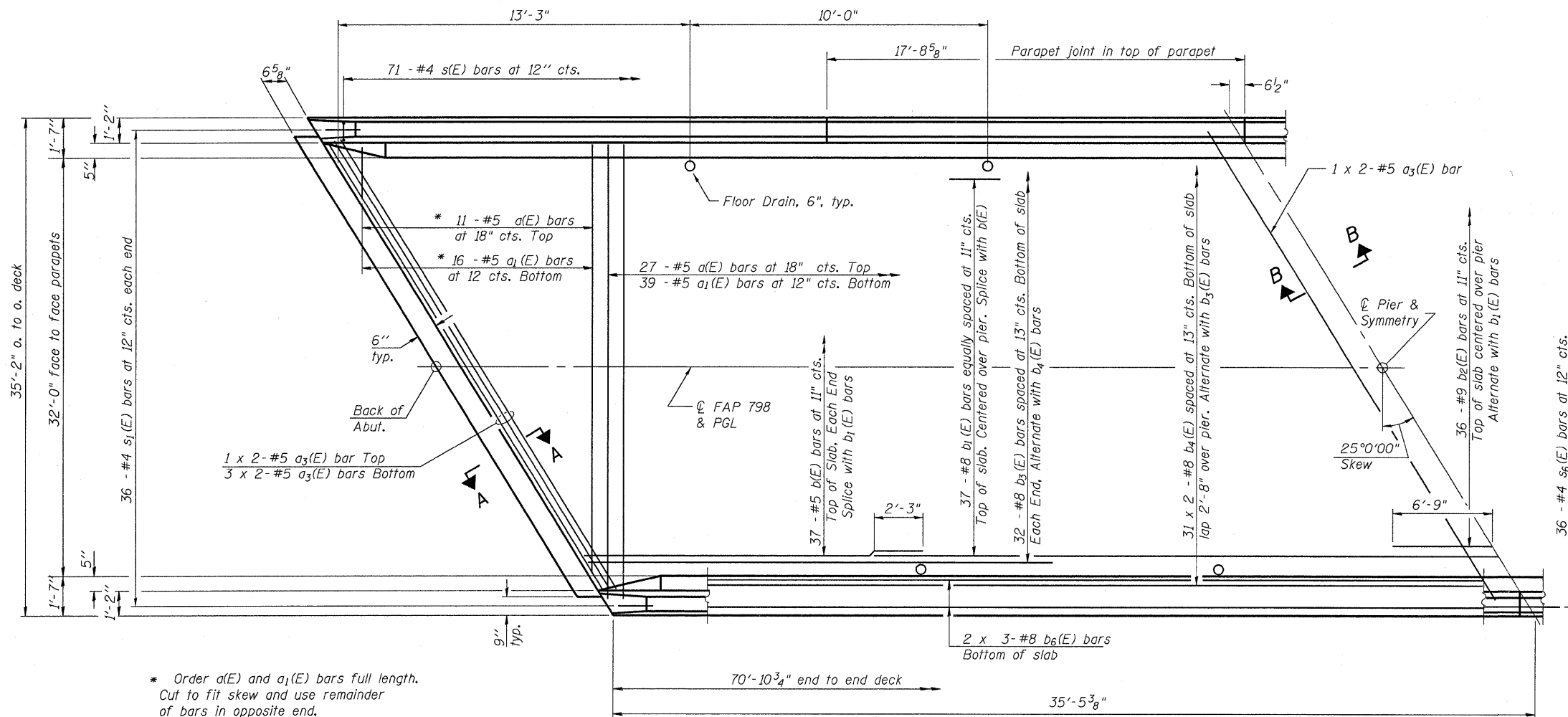


STATE OF ILLINOIS
DEPARTMENT OF TRANSPORTATION

ROUTE NO.	SECTION	COUNTY	TOTAL SHEETS	SHEET NO.	SHEET NO.
FAP 798	107 BR-1	FORD	92	82	8 SHEETS
FED. ROAD DIST. NO. 7	ILLINOIS	FED. AID PROJECT			

Contract # 66698

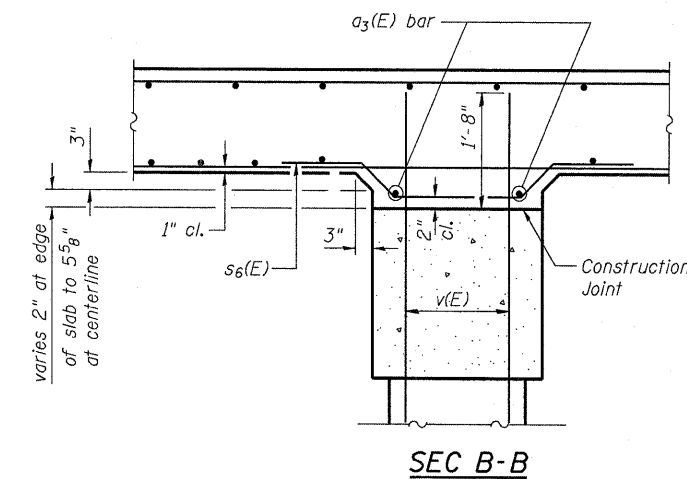
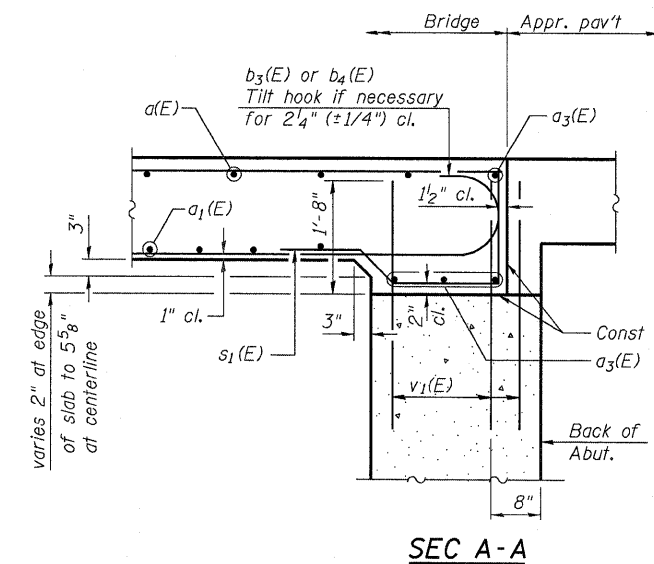
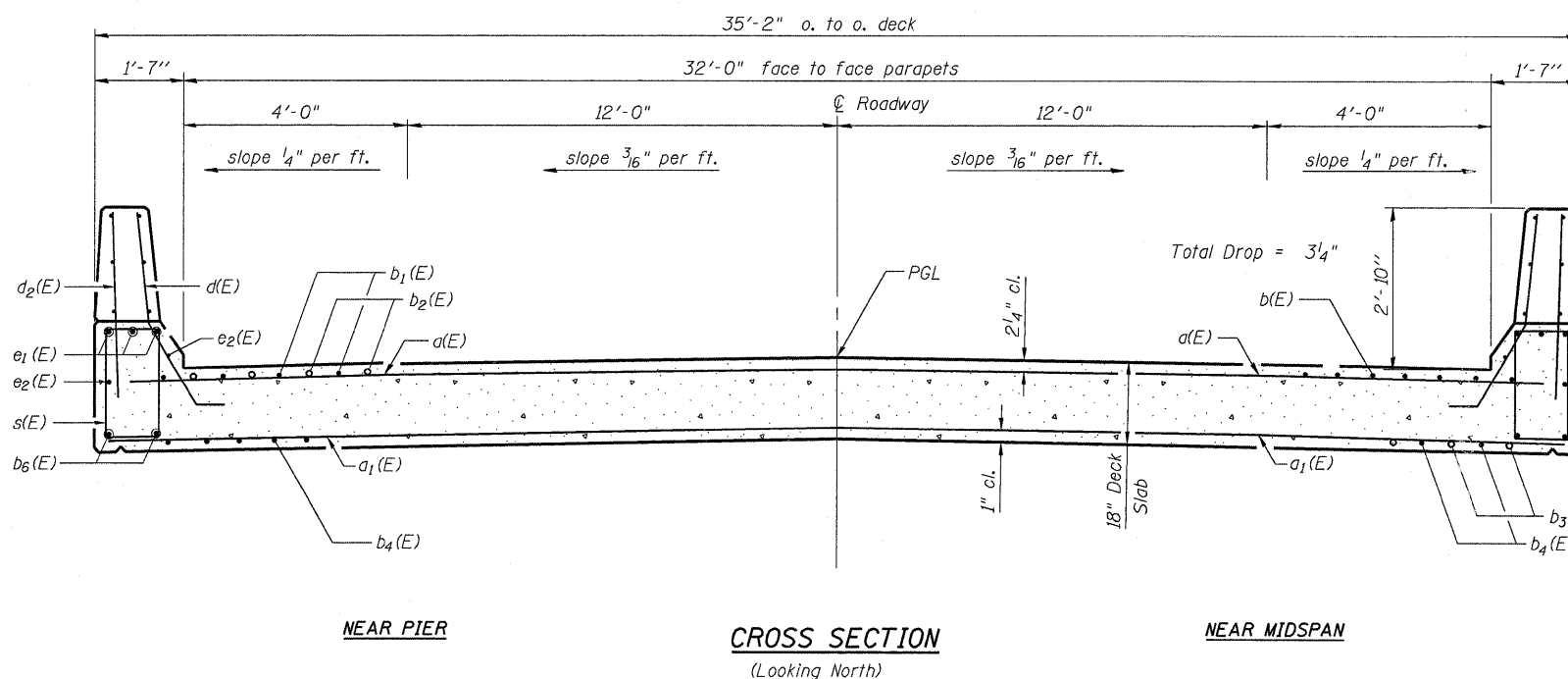


* Order a(E) and a1(E) bars full length. Cut to fit skew and use remainder of bars in opposite end.

MINIMUM LAP LENGTHS	
Bar Size	Length
#5	2'-3"
#8	2'-8"

Notes:
See Sheet 4 of 8 for superstructure details and Bill of Material.
Reinforcement bars designated (E) shall be epoxy coated.
Bars indicated thus 20 x 3-#5 etc. indicates 20 lines of bars with 3 lengths per line.
See Sheet 4 of 8 for parapet reinforcement.

DESIGNED	MAJ
CHECKED	MJB
DRAWN	MSJ
CHECKED	WCC



SUPERSTRUCTURE - DECK
IL RTE 115 OVER DRAINAGE DITCH
TRIBUTARY TO NORTH VERMILLION RIVER
FAP RTE 798 SECTION 107 BR-1
FORD COUNTY
STATION 178+88.00
S.N. 027-0095