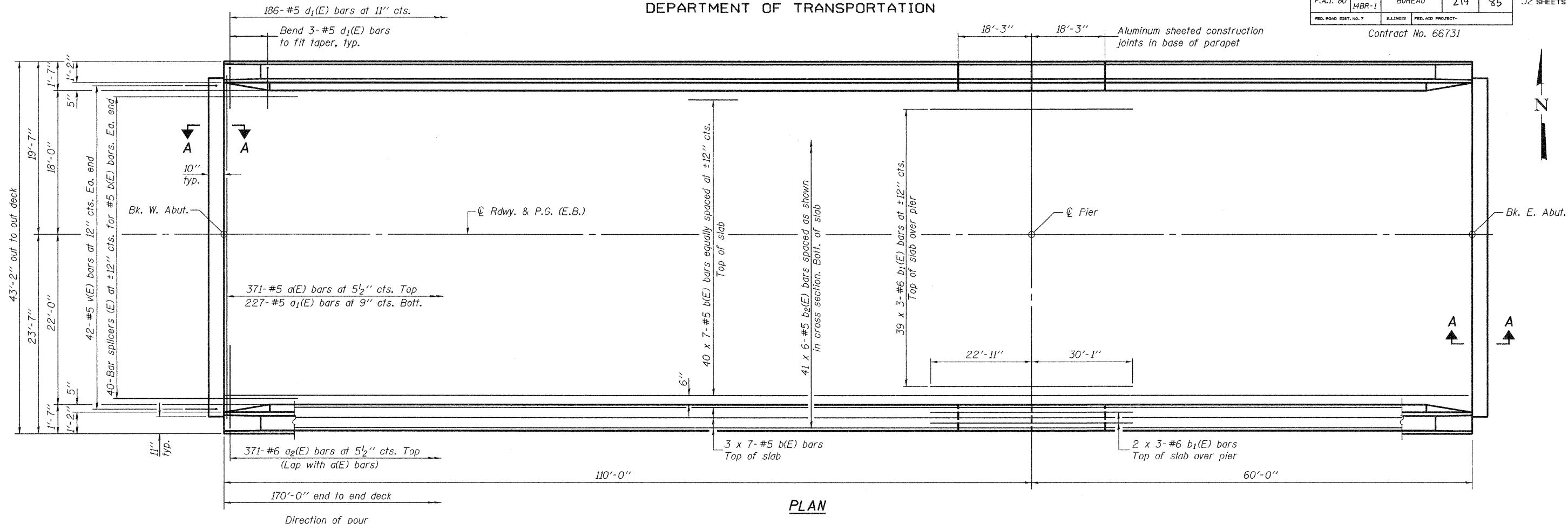


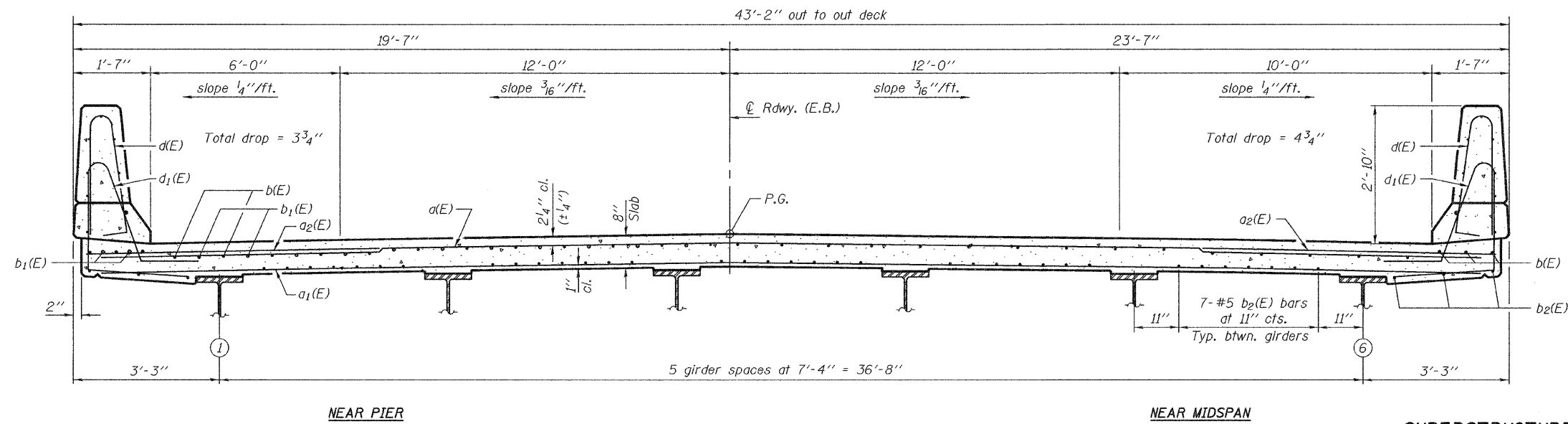
STATE OF ILLINOIS
DEPARTMENT OF TRANSPORTATION

ROUTE NO.	SECTION	COUNTY	TOTAL SHEETS	SHEET NO.	SHEET NO. 13 32 SHEETS
F.A.I. 80	14BR & 14BR-1	BUREAU	219	85	
FED. ROAD DIST. NO. 7	ILLINOIS	FED. AID PROJECT-	Contract No. 66731		



PLAN

Notes: See sheet 15 of 32 for superstructure details and Bill of Material.
Bars indicated thus 20 x 3-#5 etc. indicates 20 lines of bars with 3 lengths per line.
See sheet 15 of 32 for parapet reinforcement.
See sheet 16 of 32 for Section A-A.
See sheet 26 of 32 for bar splicer details.
The Contractor shall be required to pour the deck starting at the west abutment. See plan view for direction of pour. Pouring the deck from east to west is not allowed.



NEAR PIER

CROSS SECTION
(Looking East)

NEAR MIDSPAN

DESIGNED	Nicholas R. Barnett
CHECKED	Ray Ahanchi
DRAWN	h.t. duong
CHECKED	NRB/GRA

EXAMINED *Thomas J. Romagallo*
PASSED *Ronald V. Carlson*
ENGINEER OF BRIDGES AND STRUCTURES

MIN. BAR LAPS
#5 bar = 2'-2"
#6 bar = 2'-7"

SUPERSTRUCTURE (E.B.)
F.A.I. RTE. 80 - SEC. 14BR & 14BR-1
BUREAU COUNTY
STATION 400+22.07
STRUCTURE NO. 006-0165 (E.B.)
STRUCTURE NO. 006-0166 (W.B.)