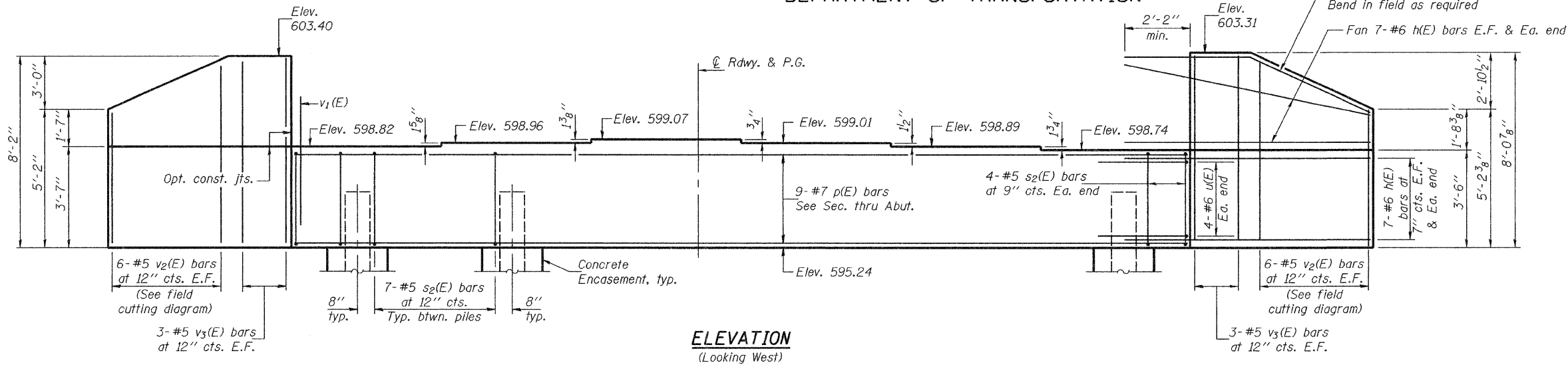


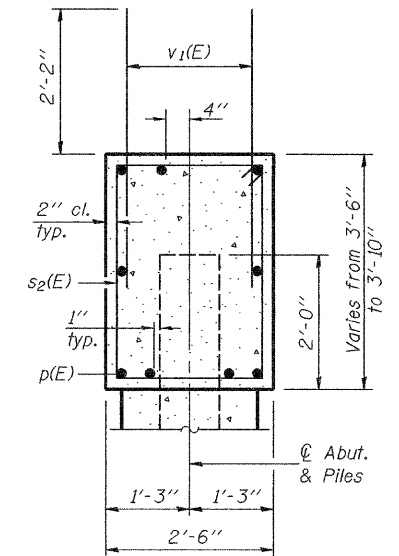
STATE OF ILLINOIS
DEPARTMENT OF TRANSPORTATION

ROUTE NO.	SECTION	COUNTY	TOTAL SHEETS	SHEET NO.	SHEET NO. 22 32 SHEETS
F.A.I. 80	14BR & 14BR-1	BUREAU	219	94	
FED. ROAD DIST. NO. 7		ILLINOIS	FED. AID PROJECT-		

Contract No. 66731



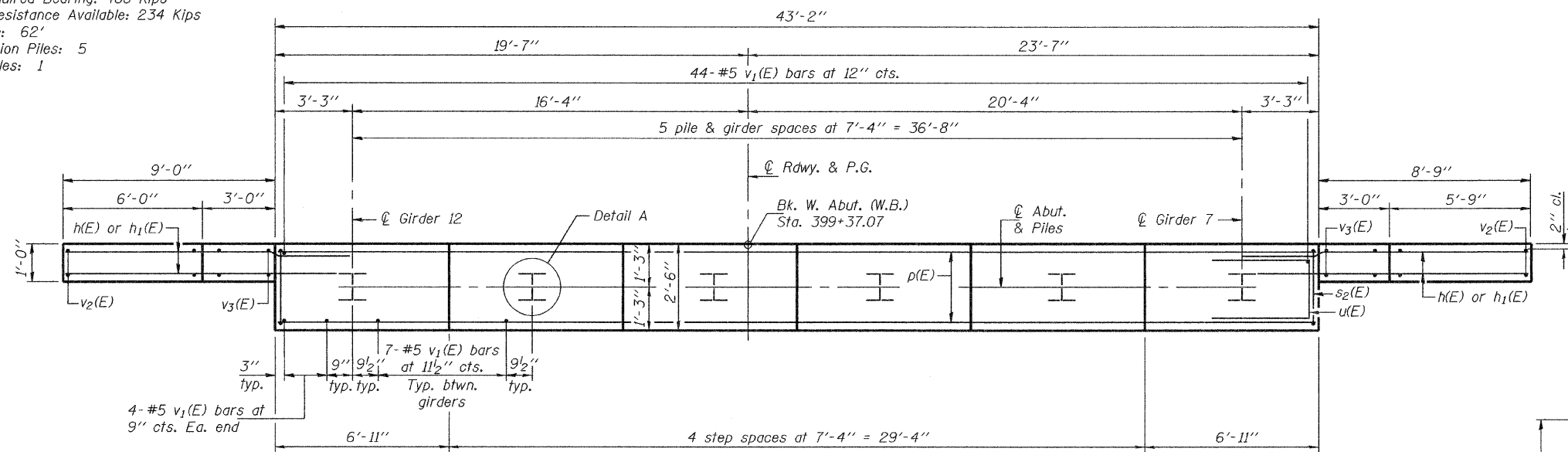
ELEVATION
(Looking West)



SEC. THRU ABUT.

PILE DATA

Type: Steel HP12x63
Nominal Required Bearing: 468 Kips
Factored Resistance Available: 234 Kips
Est. Length: 62'
No. Production Piles: 5
No. Test Piles: 1

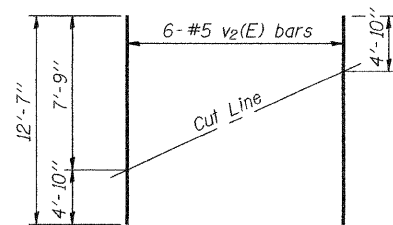


PLAN

Notes: Pour steps monolithically with cap.
For details of piles and concrete encasement, see sheet 27 of 32.
If h(E) bars interfere with steel H-piles, cut h(E) bars to fit and maintain min. 2'-2\"/>

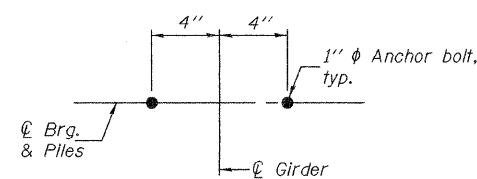
DESIGNED	Nicholas R. Barnett
CHECKED	Ray Ahanchi
DRAWN	h.f. duong
CHECKED	NRB/GRA

EXAMINED	Thomas J. Domagalaki	Sep. 30, 2008
PASSED	Ronald E. Anderson	

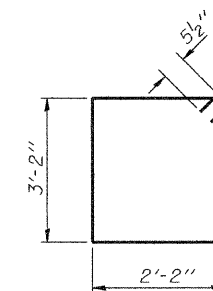


FIELD CUTTING DIAGRAM

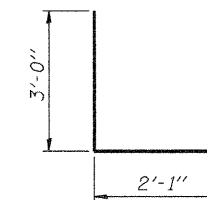
Order v2(E) full length. Cut as shown and use remainder of bars in opposite face.



DETAIL A



BAR s2(E)



BAR u(E)

BILL OF MATERIAL

Bar	No.	Size	Length	Shape
h(E)	56	#6	11'-0"	—
h1(E)	4	#5	12'-3"	—
p(E)	9	#7	42'-10"	—
s2(E)	43	#5	11'-7"	□
u(E)	8	#6	8'-1"	□
v1(E)	87	#5	4'-4"	—
v2(E)	12	#5	12'-7"	—
v3(E)	12	#5	7'-9"	—
Structure Excavation		Cu. Yd.	88	
Concrete Structures		Cu. Yd.	19.4	
Reinforcement Bars, Epoxy Coated		Pound	3030	
Furnishing Steel Piles HP12x63		Foot	310	
Driving Piles		Foot	310	
Test Pile Steel HP12x63		Each	1	
Concrete Encasement		Cu. Yd.	2.1	
Anchor Bolts, 1" φ		Each	12	

WEST ABUTMENT (W.B.)
F.A.I. RTE. 80 - SEC. 14BR & 14BR-1
BUREAU COUNTY
STATION 400+22.07
STRUCTURE NO. 006-0165 (E.B.)
STRUCTURE NO. 006-0166 (W.B.)