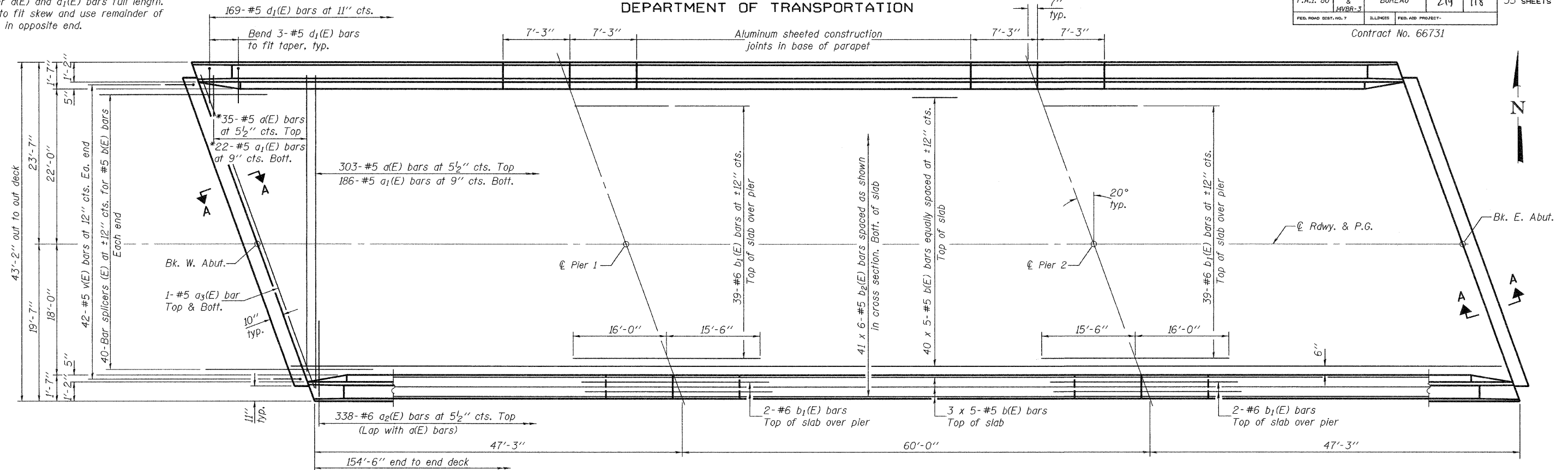


STATE OF ILLINOIS  
DEPARTMENT OF TRANSPORTATION

ROUTE NO.	SECTION	COUNTY	TOTAL SHEETS	SHEET NO.	SHEET NO. 14 35 SHEETS
F.A.I. 80	14VBR-2 & 14VBR-3	BUREAU	219	118	
FED. ROAD DIST. NO. 7		ILLINOIS	FED. AID PROJECT-		

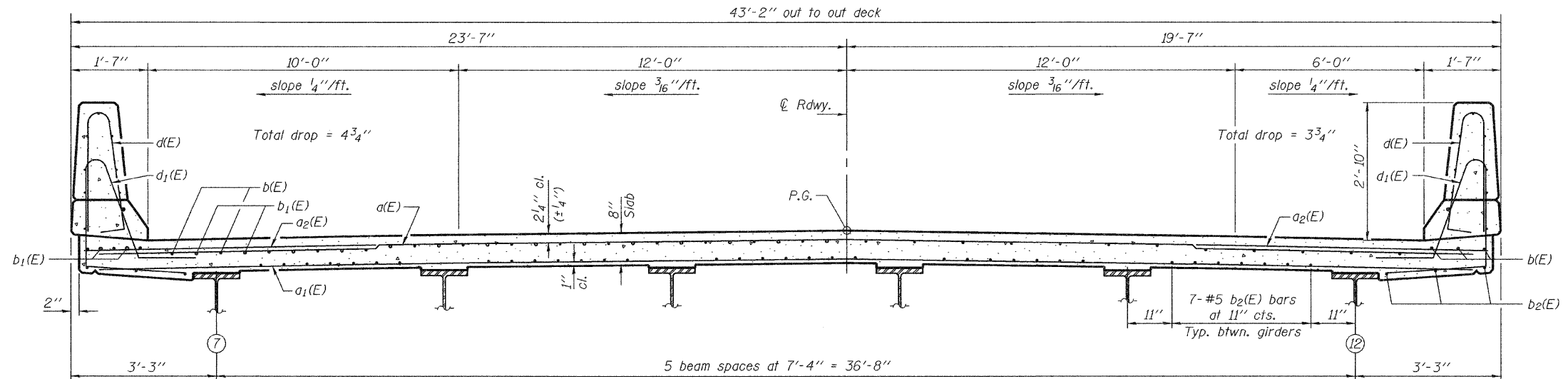
Contract No. 66731

\*Order a(E) and a<sub>1</sub>(E) bars full length. Cut to fit skew and use remainder of bars in opposite end.



PLAN

Notes: See sheet 15 of 35 for superstructure details and Bill of Material.  
Bars indicated thus 20 x 3-#5 etc. indicates 20 lines of bars with 3 lengths per line.  
See sheet 15 of 35 for parapet reinforcement.  
See sheet 16 of 35 for Section A-A.



NEAR PIER

CROSS SECTION  
(Looking East)

NEAR MIDSPAN

DESIGNED	Nicholas R. Barnett
CHECKED	Ray Ahanchi
DRAWN	h.f. duong
CHECKED	NRB/GRA

EXAMINED	Thomas J. Domagala
PASSED	Ralph E. Anderson

MIN. BAR LAP  
#5 bar = 2'-2"

SUPERSTRUCTURE (W.B.)  
F.A.I. RTE. 80 - SEC. 14VBR-2 & 14VBR-3  
BUREAU COUNTY  
STATION 413+39.84  
STRUCTURE NO. 006-0167 (E.B.)  
STRUCTURE NO. 006-0168 (W.B.)