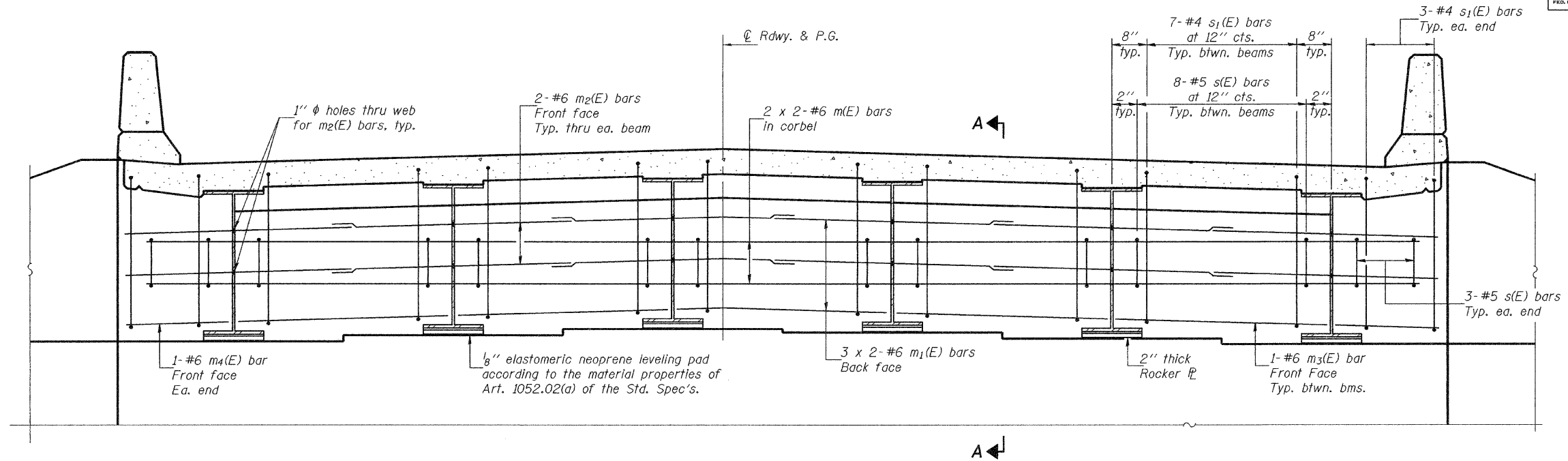


STATE OF ILLINOIS  
DEPARTMENT OF TRANSPORTATION

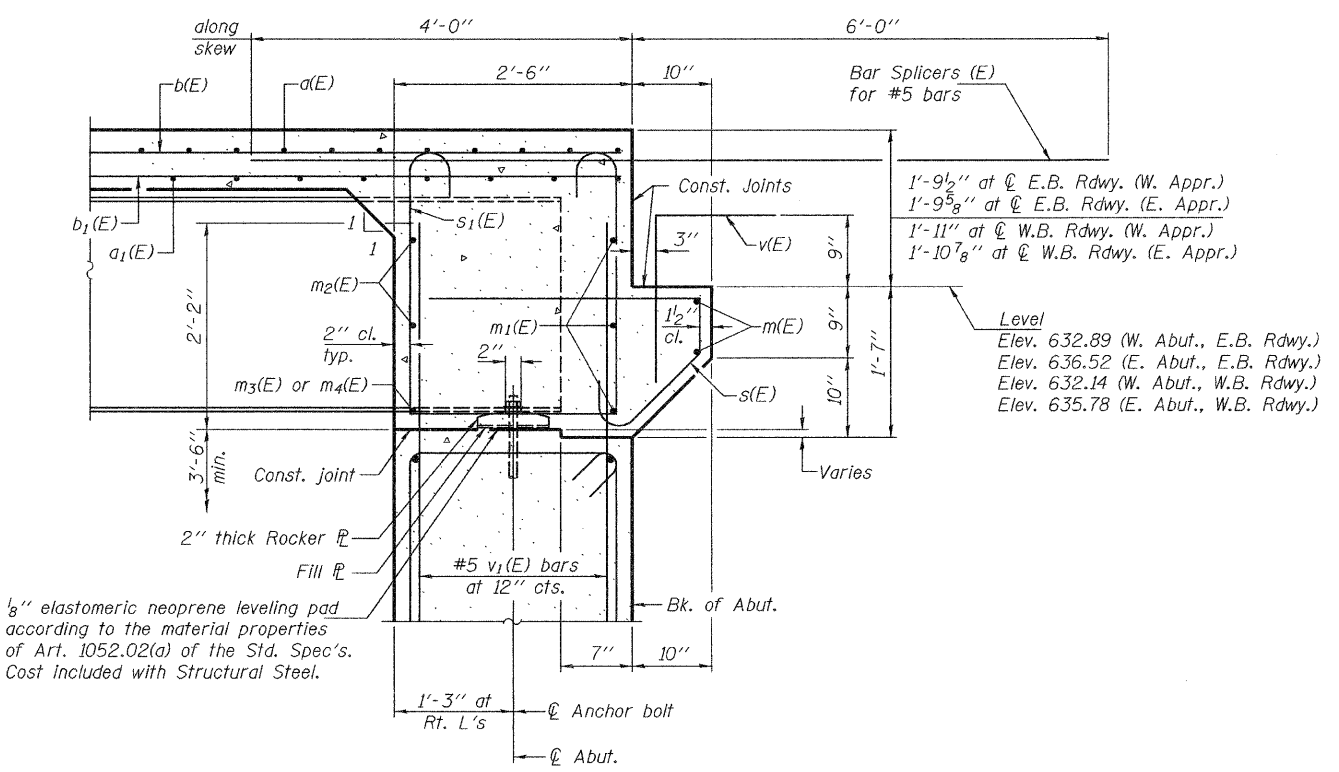
ROUTE NO.	SECTION	COUNTY	TOTAL SHEETS	SHEET NO.	SHEET NO. 16 35 SHEETS
F.A.I. 80	14VBR-2 & 14VBR-3	BUREAU	219	126	
FED. ROAD DIST. NO. 7	ILLINOIS	FED. AID PROJECT-			
Contract No. 66731					



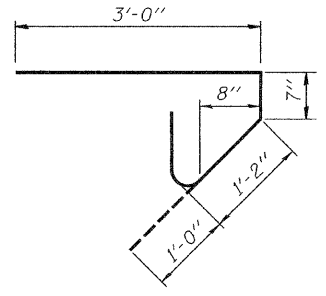
**DIAPHRAGM ELEVATION AT WEST ABUT. (E.B.)**  
(Looking East - Other abutments similar)

Notes: Reinforcement bars in diaphragm are billed with superstructure on sheet 15 of 35.  
Concrete in diaphragm is included with Concrete Superstructure on sheet 15 of 35.  
For details of bar  $s_1(E)$  see sheet 15 of 35.  
The  $s(E)$  and  $s_1(E)$  bars shall be placed parallel to the beams. Spacing for these bars shall be at right angles to the beams.

**MIN. BAR LAP**  
#6 bar = 2'-7"



**SECTION A-A**  
Dimensions at right L's to abutment, except as shown.



**BAR s(E)**

Level  
Elev. 632.89 (W. Abut., E.B. Rdwy.)  
Elev. 636.52 (E. Abut., E.B. Rdwy.)  
Elev. 632.14 (W. Abut., W.B. Rdwy.)  
Elev. 635.78 (E. Abut., W.B. Rdwy.)

**DIAPHRAGM DETAILS**  
**F.A.I. RTE. 80 - SEC. 14VBR-2 & 14VBR-3**  
**BUREAU COUNTY**  
**STATION 413+39.84**  
**STRUCTURE NO. 006-0167 (E.B.)**  
**STRUCTURE NO. 006-0168 (W.B.)**

DESIGNED	Nicholas R. Barnett	EXAMINED	Thomas J. Domagalicki
CHECKED	Ray Ahanchi	PASSED	Ronald E. Anderson
DRAWN	h.t. duong		
CHECKED	NRB/GRA		

Sep. 30, 2008  
ENGINEER OF BRIDGES AND STRUCTURES