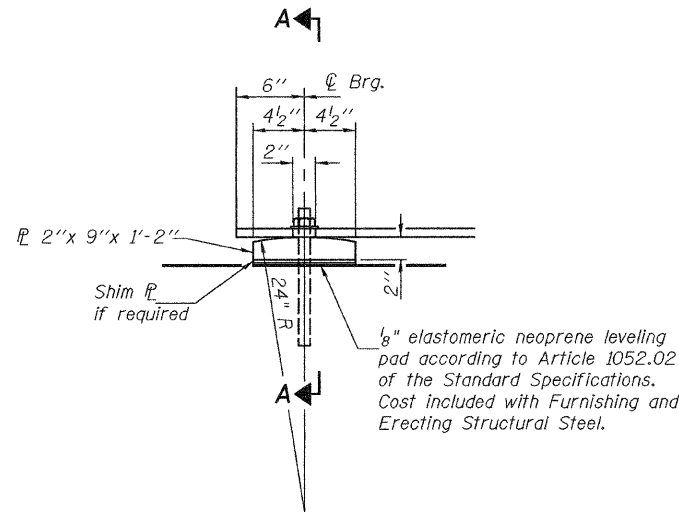


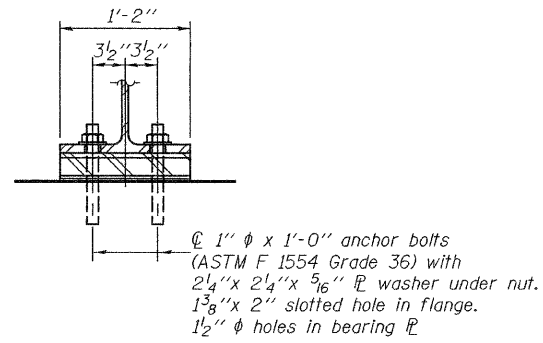
STATE OF ILLINOIS  
DEPARTMENT OF TRANSPORTATION

ROUTE NO.	SECTION	COUNTY	TOTAL SHEETS	SHEET NO.	SHEET NO. 19 35 SHEETS
F.A.I. 80	14VBR-2 & 14VBR-3	BUREAU	219	123	
FED. ROAD DIST. NO. 7	ILLINOIS	FED. AID PROJECT			

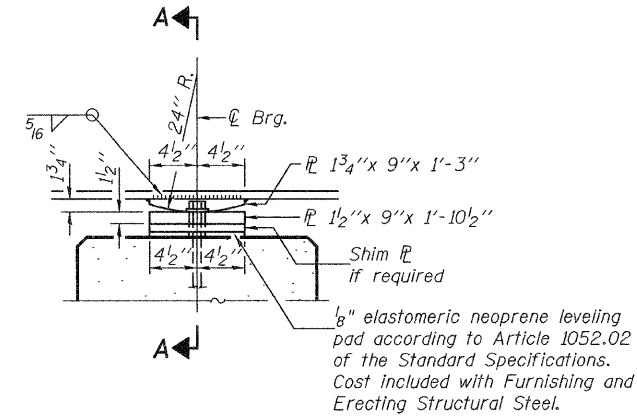
Contract No. 66731



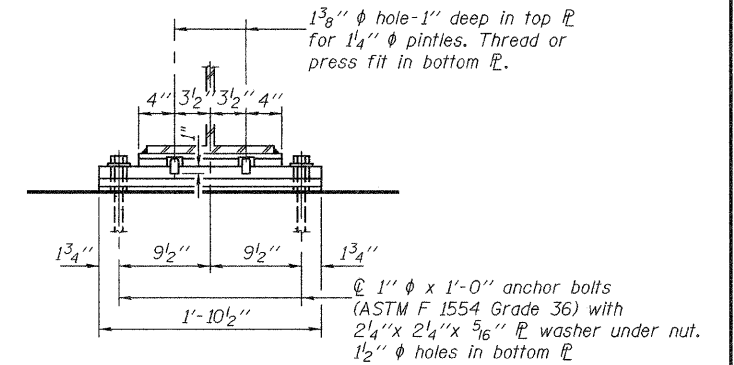
ELEVATION AT ABUTMENTS



SECTION A-A



ELEVATION AT PIERS



SECTION A-A

**FIXED BEARING**

(24 Required)

**FIXED BEARING**

(24 Required)

**\*TOP OF BEAM ELEVATIONS (E.B.)**

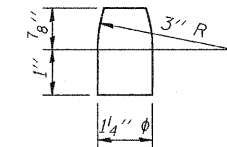
Location	℄ Brg. W. Abut.	℄ Brg. Pier 1	℄ Splice 1	℄ Brg. Pier 2	℄ Splice 2	℄ Brg. E. Abut.
Beam 1	633.59	634.61	634.81	636.01	636.23	637.16
Beam 2	633.79	634.81	635.01	636.21	636.43	637.36
Beam 3	633.96	634.98	635.18	636.39	636.61	637.54
Beam 4	633.96	634.99	635.18	636.39	636.61	637.54
Beam 5	633.91	634.93	635.13	636.33	636.55	637.48
Beam 6	633.82	634.84	635.04	636.24	636.46	637.39

\*For fabrication use only.

**\*TOP OF BEAM ELEVATIONS (W.B.)**

Location	℄ Brg. W. Abut.	℄ Brg. Pier 1	℄ Splice 1	℄ Brg. Pier 2	℄ Splice 2	℄ Brg. E. Abut.
Beam 7	632.84	633.86	634.06	635.27	635.49	636.42
Beam 8	633.06	634.08	634.28	635.48	635.70	636.63
Beam 9	633.24	634.26	634.46	635.66	635.88	636.82
Beam 10	633.37	634.39	634.59	635.79	636.01	636.94
Beam 11	633.31	634.33	634.53	635.74	635.96	636.89
Beam 12	633.24	634.26	634.46	635.66	635.88	636.82

\*For fabrication use only.



PINTLE

**SHIM PLATES THICKNESS (E.B.)**

Beam No.	W. Abut.	Pier 1	Pier 2	E. Abut.
1	—	—	—	—
2	—	—	—	—
3	5/8"	5/8"	—	—
4	5/8"	3/4"	—	—
5	—	—	—	—
6	—	—	—	—

**SHIM PLATES THICKNESS (W.B.)**

Beam No.	W. Abut.	Pier 1	Pier 2	E. Abut.
7	—	—	—	—
8	—	—	—	—
9	—	—	—	—
10	—	5/8"	5/8"	5/8"
11	—	—	—	—
12	—	—	—	—

Notes: Two 1/8 in. adjusting shims shall be provided for each bearing in addition to all other plates or shims and placed as shown on bearing details.  
All bearing plates and pintles shall be AASHTO M 270, Grade 50W.  
Anchor bolts shall be ASTM F1554 all-thread (or an Engineer-approved alternate material) of the grade(s) and diameter(s) specified. ASTM A307 Grade C anchor bolts may be used in lieu of ASTM F1554 Grade 36 (Fy=36 ksi). The corresponding specified grade of AASHTO M314 anchor bolts may be used in lieu of ASTM F1554.  
Anchor bolts at fixed bearings may be either cast in place or installed in holes drilled after the supported member is in place. Drilled and set anchor bolts shall be installed according to Article 521.06 of the Standard Specifications.

DESIGNED	Nicholas R. Barnett
CHECKED	Ray Ahanchi
DRAWN	h.f. duong
CHECKED	NRB/GRA

EXAMINED	Thomas J. Donagallo ENGINEER OF BRIDGE DESIGN
PASSED	Ronald E. Anderson ENGINEER OF BRIDGES AND STRUCTURES

**BEARING DETAILS**  
F.A.I. RTE. 80 - SEC. 14VBR-2 & 14VBR-3  
BUREAU COUNTY  
STATION 413+39.84  
STRUCTURE NO. 006-0167 (E.B.)  
STRUCTURE NO. 006-0168 (W.B.)