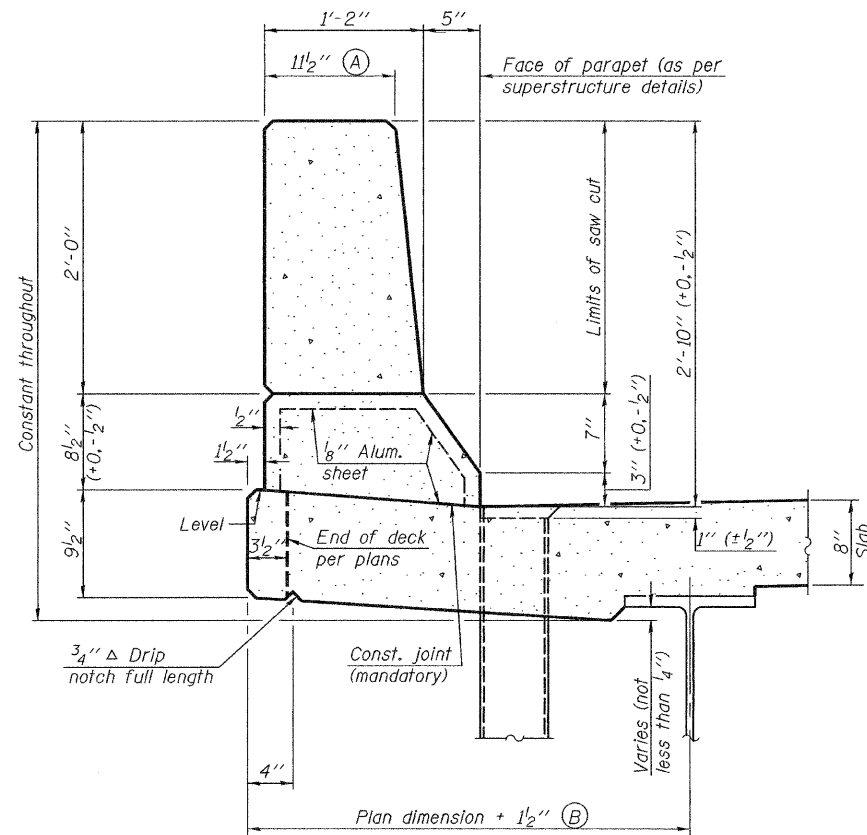


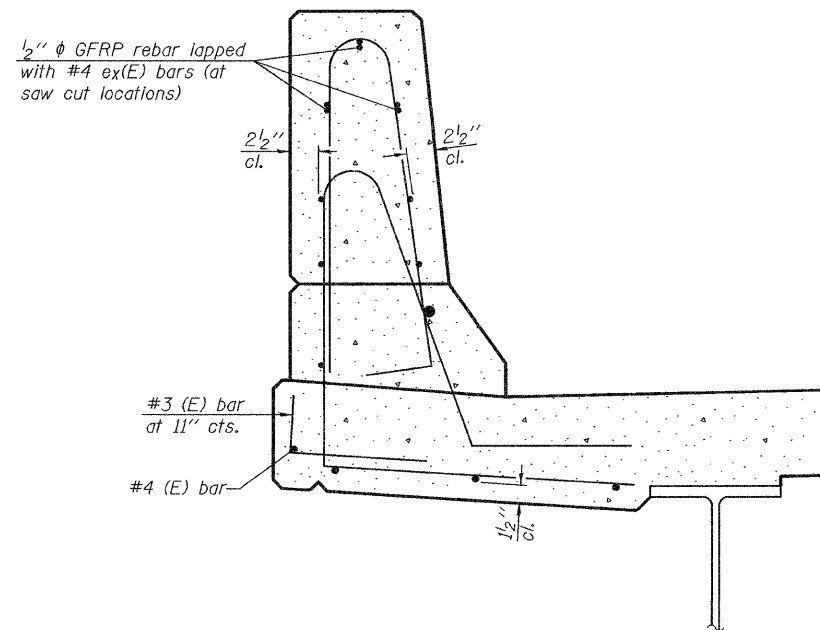
STATE OF ILLINOIS  
DEPARTMENT OF TRANSPORTATION

ROUTE NO.	SECTION	COUNTY	TOTAL SHEETS	SHEET NO.	SHEET NO. 30 35 SHEETS
F.A.I. 80	14VBR-2 & 14VBR-3	BUREAU	219	134	
FED. ROAD DIST. NO. 7		ILLINOIS	FED. AID PROJECT-		

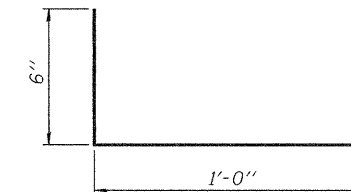
Contract No. 66731



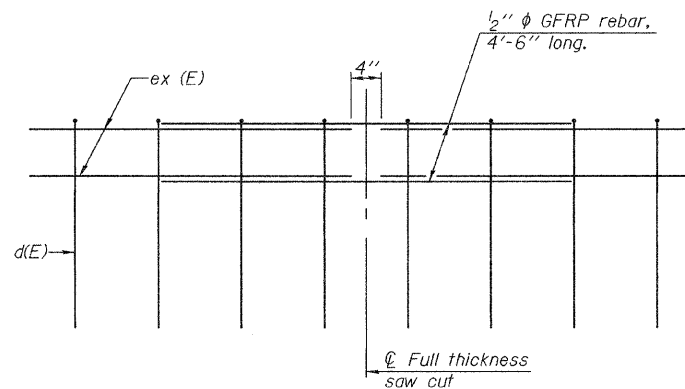
**SECTION**  
(Showing dimensions)



**SECTION**  
(Showing reinforcement clearances for slip forming and additional reinforcement bars)



**#3 (E) BAR**



**GFRP REBAR STIFFENING DETAIL**

(Place as shown in parapet section at each parapet joint location.)

**CONCRETE PARAPET  
SLIPFORMING OPTION**  
F.A.I. RTE. 80 - SEC. 14VBR-2 & 14VBR-3  
BUREAU COUNTY  
STATION 413+39.84  
STRUCTURE NO. 006-0167 (E.B.)  
STRUCTURE NO. 006-0168 (W.B.)

DESIGNED	Nicholas R. Barnett
CHECKED	Ray Ahanchi
DRAWN	h.f. duong
CHECKED	NRB/GRA

EXAMINED	Thomas J. Romagosa	Sep. 30, 2008
PASSED	Ralph E. Anderson	

SFP-34

9-3-07