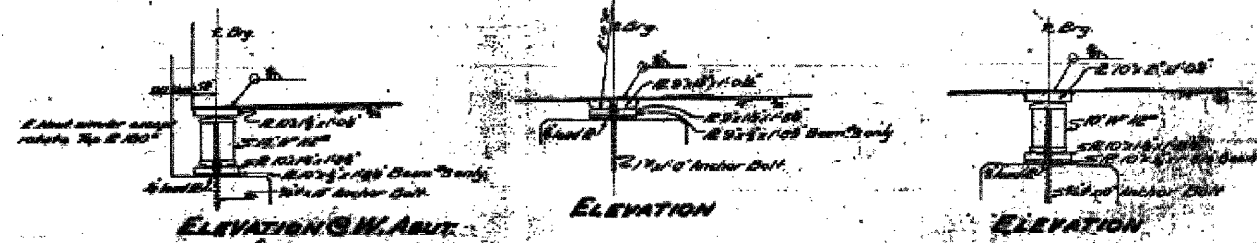
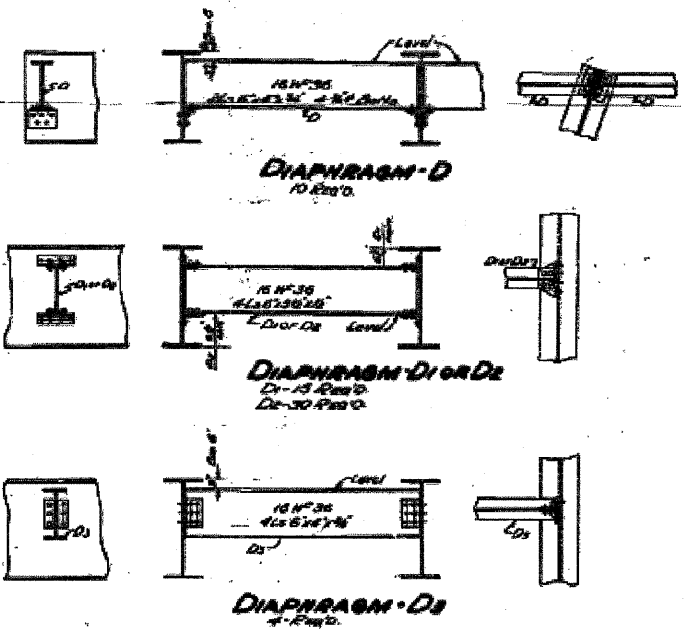
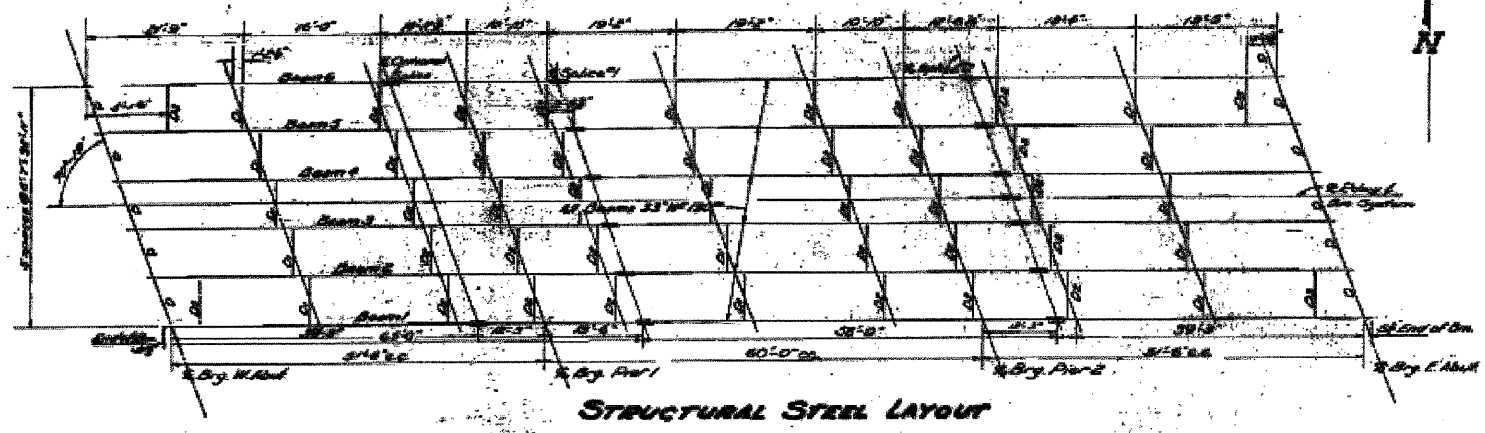


F.A.P. RTE.	SECTION	COUNTY	TOTAL SHEETS	SHEET NO.
80	*	BUR & LAS	219	157
STA. _____		TO STA. _____		
FED. ROAD DIST. NO. _____		ILLINOIS FED. AID PROJECT		

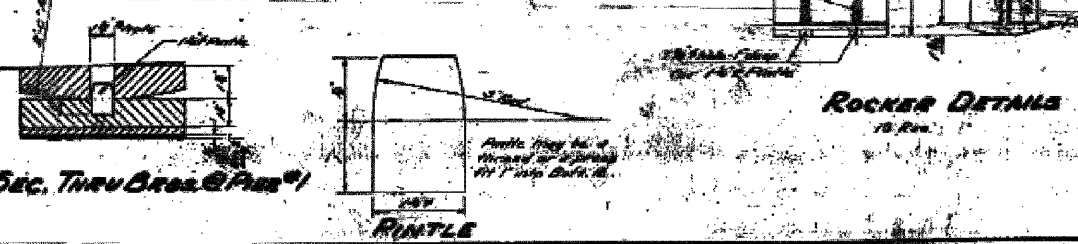
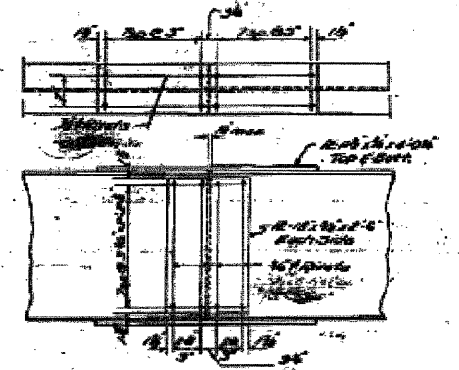
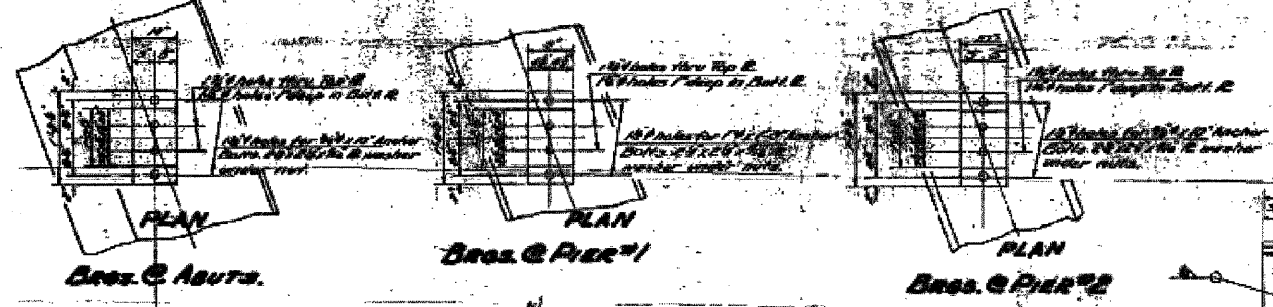
\* (06-14 & 50-8)RS-1 (14B,B-1,VB,VB-1,VB-2,VB-3)BR

STATE OF ILLINOIS  
DEPARTMENT OF PUBLIC WORKS & BUILDINGS  
DIVISION OF HIGHWAYS

Scale	1" = 10'
Author	Bureau
Date	10/25
Sheet No.	7



	1	2	3	4	5	6
Elevation of Pier 1	631.00	632.00	633.00	634.00	635.00	636.00
Elevation of Pier 2	637.00	638.00	639.00	640.00	641.00	642.00
Elevation of Abutment	643.00	644.00	645.00	646.00	647.00	648.00



DESIGNED *Rossie Realli*  
CHECKED *Imelda...*  
DATE *April 3, 1957*  
BY *R.R. M.C.*

**STEEL DETAILS**  
**C.B. & Q.R.R. OVERHEAD**  
**F.A.I. RT. 6 - SEC. 4 & 5**  
**BUREAU COUNTY**  
**STA. 413+24.75**

FOR INFORMATION ONLY

REVISIONS	
NAME	DATE

ILLINOIS DEPARTMENT OF TRANSPORTATION  
**EXISTING BRIDGE PLANS**  
**SN 006-0037 (WBL)**  
SCALE: VERT. \_\_\_\_\_  
DATE: \_\_\_\_\_ HORIZ. \_\_\_\_\_  
DRAWN BY \_\_\_\_\_  
CHECKED BY \_\_\_\_\_