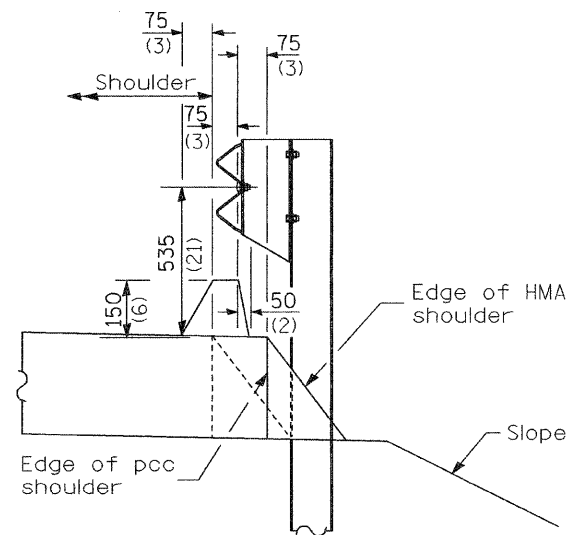


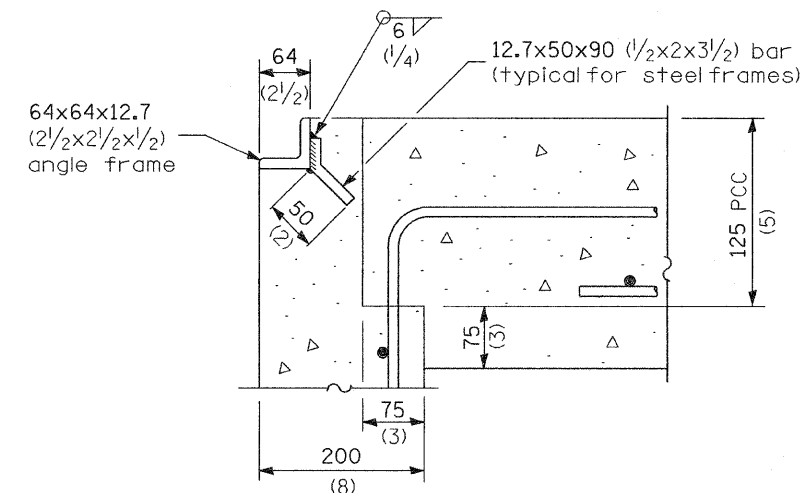
① Joints in prolongation with existing joints in pavements.
No. 19 (No. 6) Tie bars or expansion anchor ties at 600 (24) cts.

PLAN

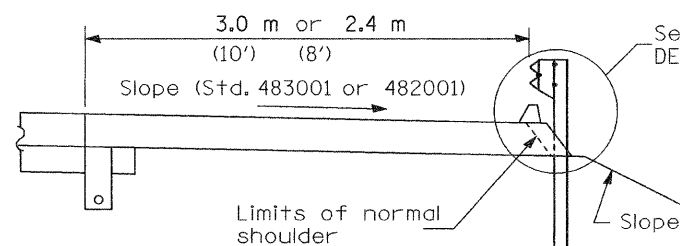
** When used adjacent to bridge approach slabs, width shall equal greater of bridge shoulder width or 4'-10".



DETAIL B



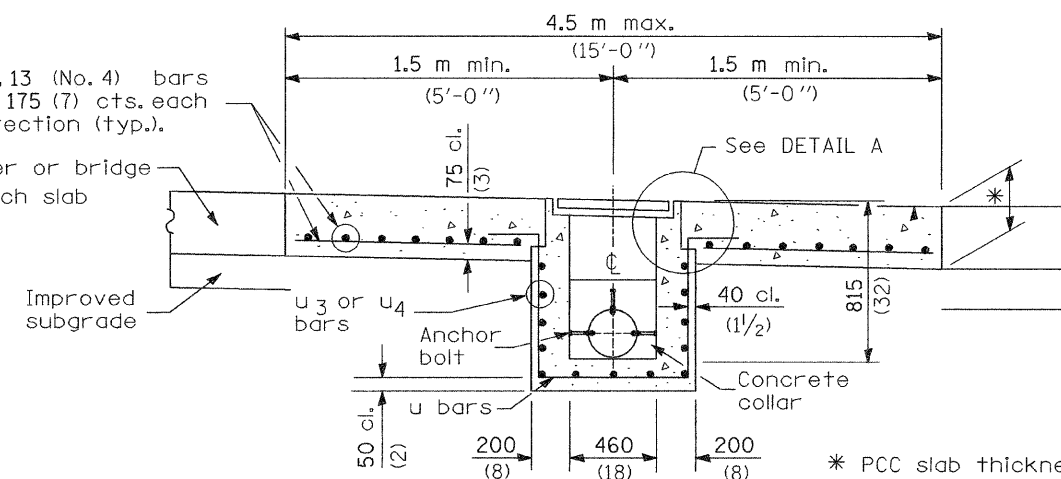
DETAIL A



SECTION C-C

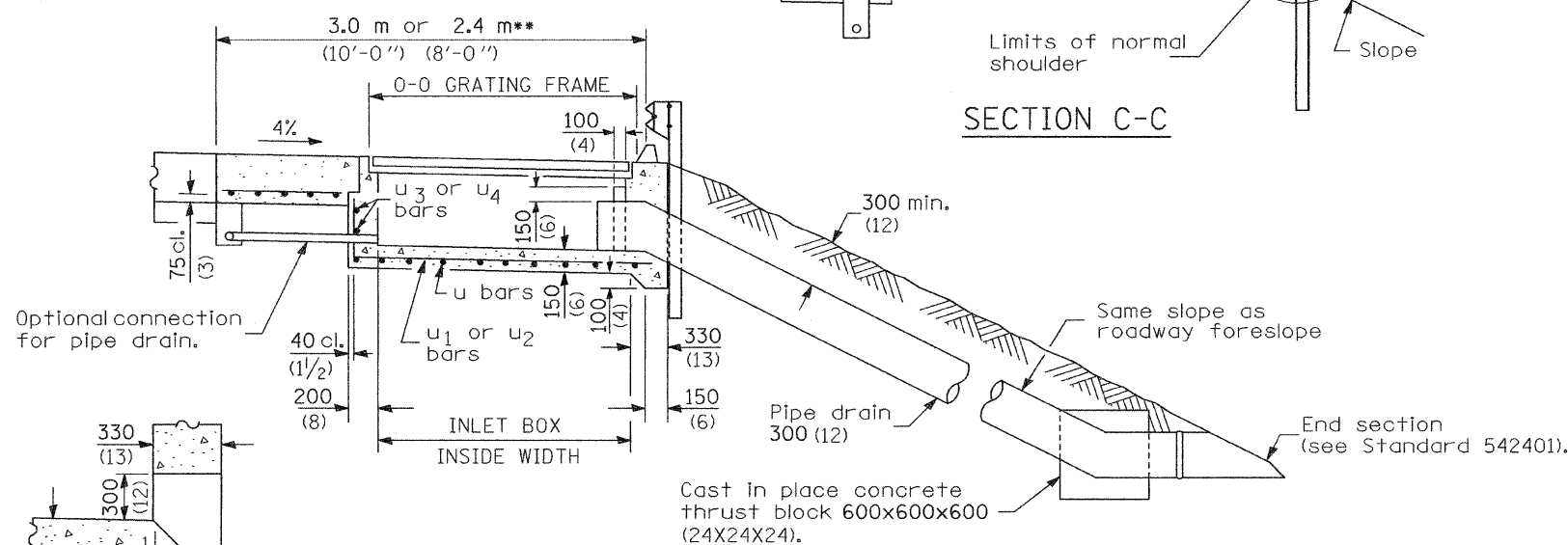
No. 13 (No. 4) bars on 175 (7) cts. each direction (typ.).

Shoulder or bridge approach slab



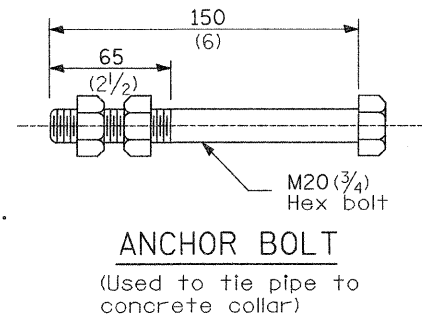
SEC. A-A

* PCC slab thickness same as adjacent shoulder.



SEC. B-B

BOX OUTLET WHEN PRECAST



ANCHOR BOLT

(Used to tie pipe to concrete collar)

GENERAL NOTES

See Standard 420001 for joint details not shown.

All exposed edges of the inlet, except the upper perimeter, shall be beveled 20 mm (3/4").

For placement of drainage elements on existing construction with existing rigid pavement, substitute expansion anchor ties for tie bars. For nonrigid pavements or monolithic construction of pcc slab and shoulder, omit tie bars.

All dimensions are in millimeters (inches) unless otherwise shown.

INLET TYPE	SHOULDER WIDTH	0-0 GRATING FRAME	INLET BOX INSIDE WIDTH	INLET BOX INSIDE LENGTH
Type E	1.2 m to 2.4 m (4' to 8')	1.325 m (4'-4")	1.195 m (3'-11")	460 (18)
Type F	3.0 m (10')	1.960 m (6'-5")	1.830 m (6'-0")	460 (18)

SHOULDER INLET WITH CURB

(Sheet 1 of 2)