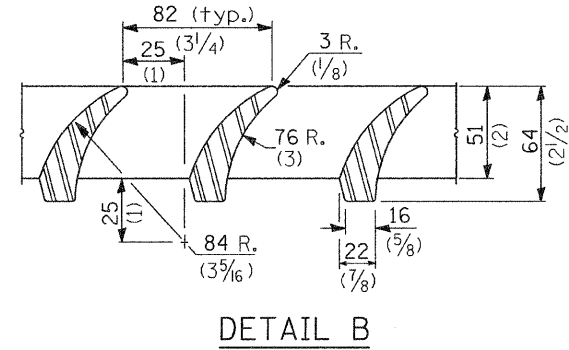
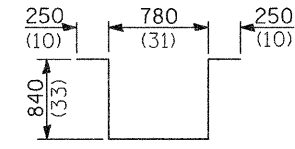


DETAIL OF CAST GRATE

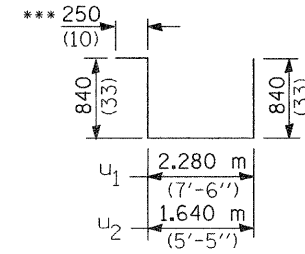
Type E requires 2 grates
 Type F requires 3 grates



DETAIL B

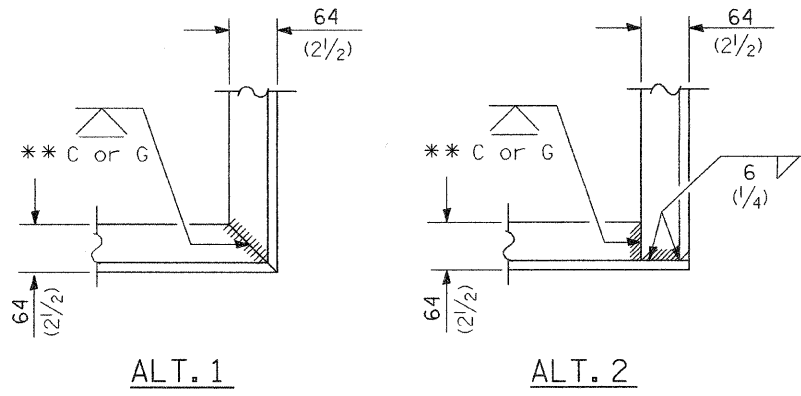


BAR U



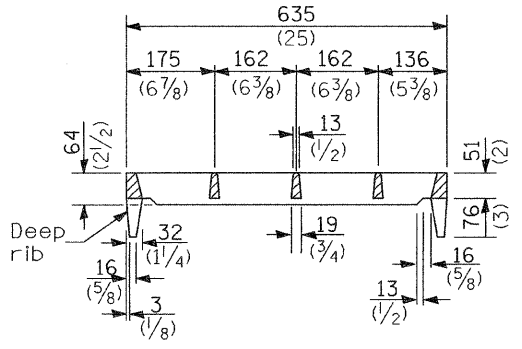
BARS U₁, U₂

***Cut to fit in field as necessary.



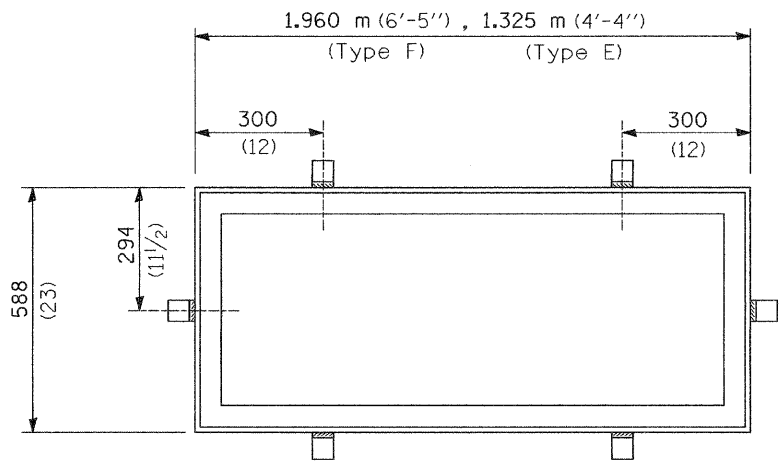
TYPICAL CORNER OF STEEL GRATING FRAME

** Cut or Grind flush



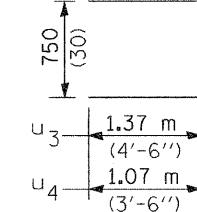
SECTION X-X

(Deep rib shall be omitted for end(s) resting on frame perimeter)



DETAIL OF STEEL FRAME

Cast frame to have same basic dimensions.



BARS U₃, U₄

INLET BOX

REQUIRED MATERIAL

| TYPE F | | | |
|----------------|---------------------------|----------------|------------------|
| Bar | Qty. | Size | Length |
| u | 8 | No. 13 (No. 4) | 2.96 m (9'-9") |
| u ₁ | 3 | No. 13 (No. 4) | 4.21 m (13'-10") |
| u ₃ | 6 | No. 13 (No. 4) | 3.49 m (11'-6") |
| Concrete | m ³ (cu. yds.) | | 1.3 (1.7) |
| Reinf. bars | kg (lbs.) | | 57.2 (126) |
| Grating | m ² (sq. ft.) | | 1.02 (10.9) |
| TYPE E | | | |
| Bar | Qty. | Size | Length |
| u | 6 | No. 13 (No. 4) | 2.96 m (9'-9") |
| u ₂ | 3 | No. 13 (No. 4) | 3.57 m (11'-9") |
| u ₄ | 6 | No. 13 (No. 4) | 2.89 m (9'-6") |
| Concrete | m ³ (cu. yds.) | | 1.0 (1.3) |
| Reinf. bars | kg (lbs.) | | 45.8 (101) |
| Grating | m ² (sq. ft.) | | 0.68 (7.3) |

All dimensions are in millimeters (inches) unless otherwise shown.

SHOULDER INLET WITH CURB