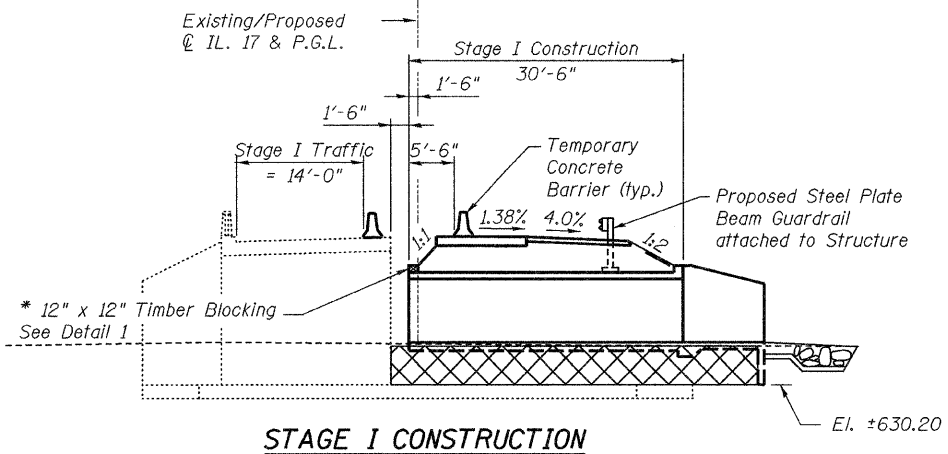
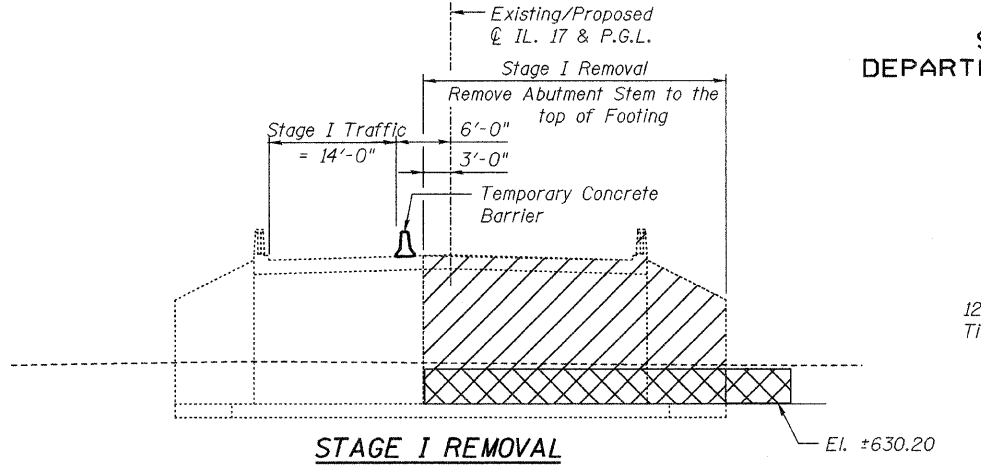


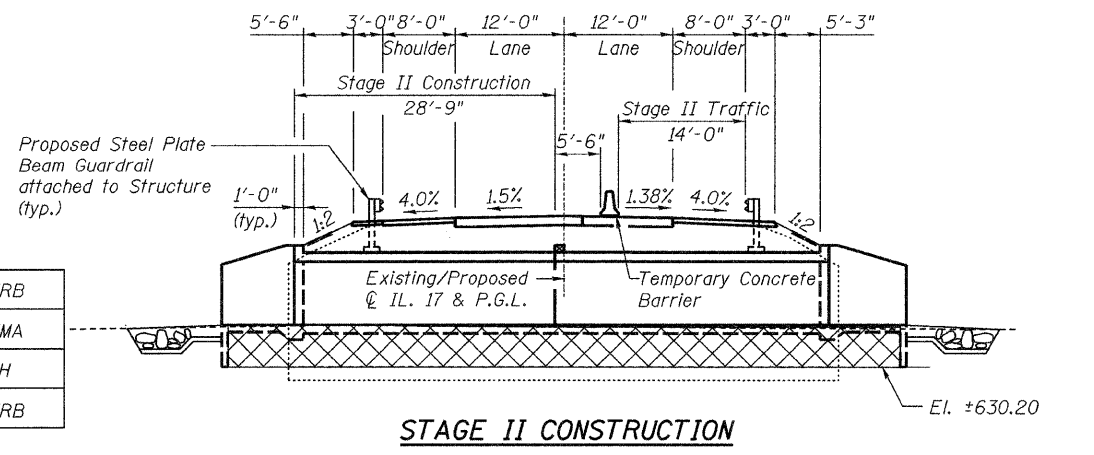
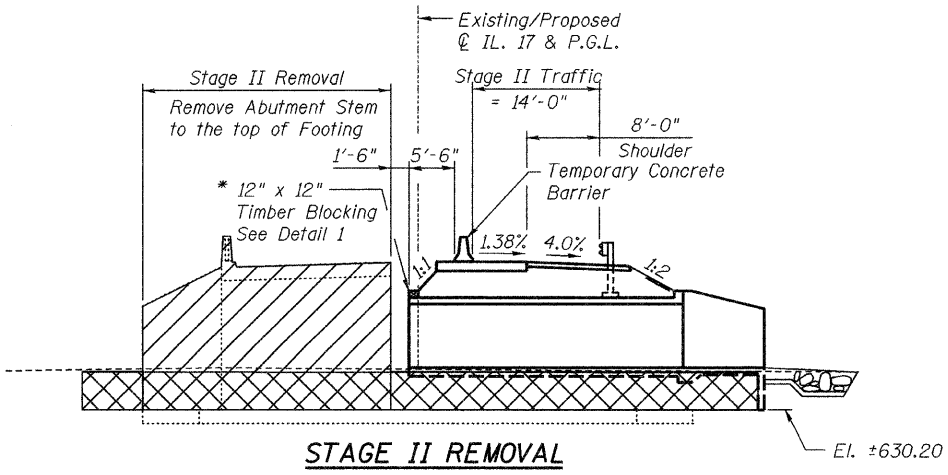
STATE OF ILLINOIS
DEPARTMENT OF TRANSPORTATION

ROUTE NO.	SECTION	COUNTY	TOTAL SHEETS	SHEET NO.	SHEET NO. S2 S7 SHEETS
F.A.P. 649	(107) BR	LASALLE	24	13	
FED. ROAD DIST. NO. 7		ILLINOIS	FED. AID PROJECT-		

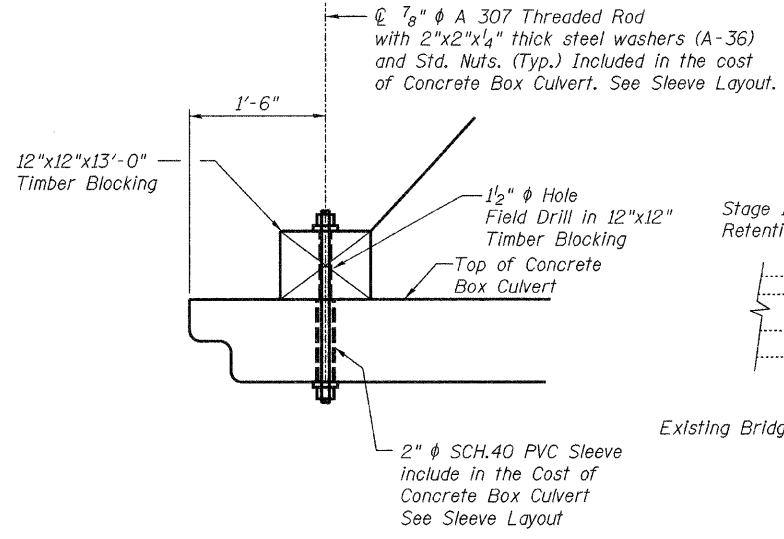
Contract # 66844



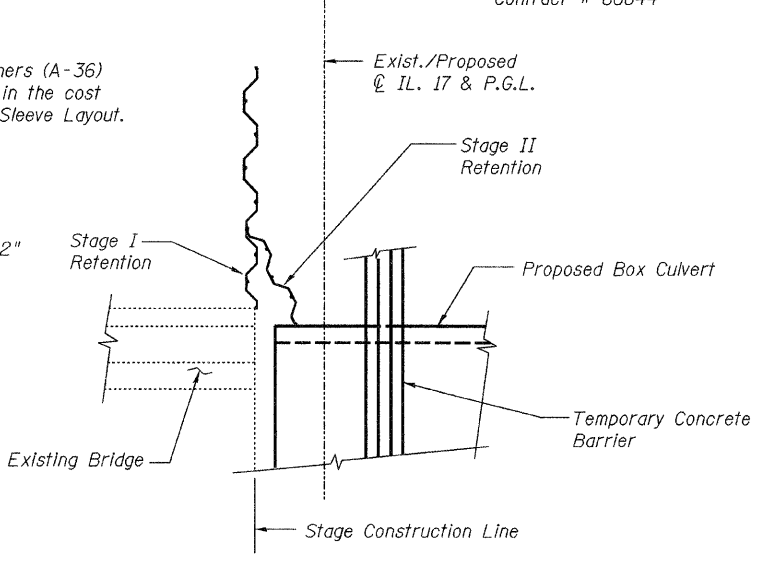
* Cost included with Precast Concrete Box Culvert.



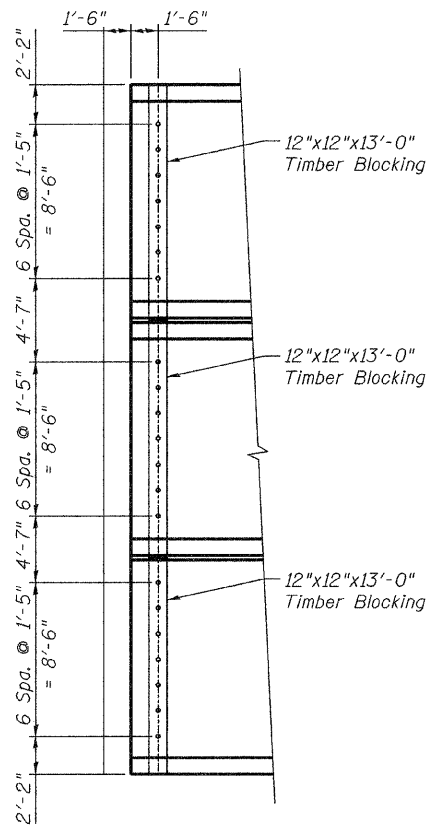
DESIGNED -	MRB
CHECKED -	HMA
DRAWN -	VH
CHECKED -	MRB



DETAIL 1



PART PLAN



SLEEVE LAYOUT

NOTE:
For details of Temporary Concrete Barrier, see Sheet S3.

LEGEND

Indicates Removal of Existing Structure.

Indicates Removal and Replacement of Unsuitable Material.

benesch
alfred benesch & company
Engineers • Surveyors • Planners
205 North Michigan Avenue, Suite 2400
Chicago, Illinois 60601
312.565.0450
Job # 3838.01

STAGE CONSTRUCTION
ILLINOIS 17 OVER SOUTH BRANCH
OF MOON CREEK
F.A.P. ROUTE 649 SEC. NO. (107) BR
LASALLE COUNTY
STATION 50+98.00
STRUCTURE NO. 050-2044