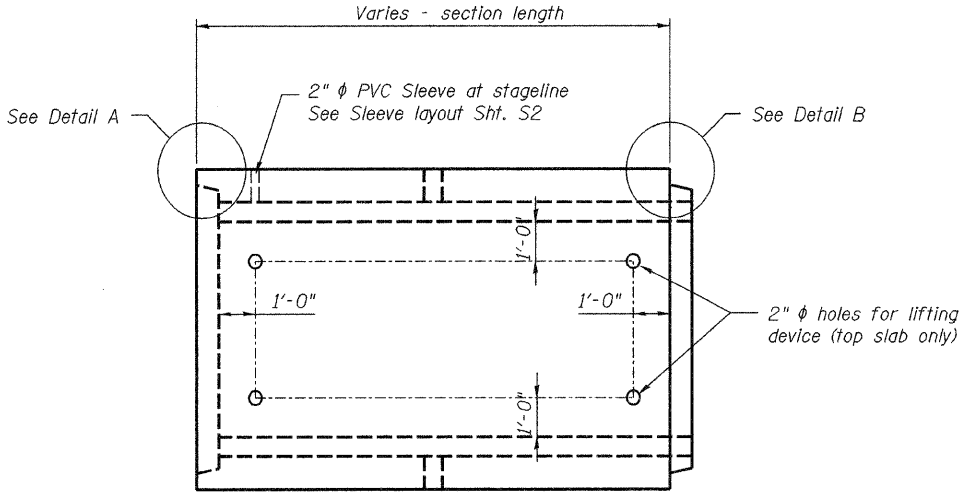


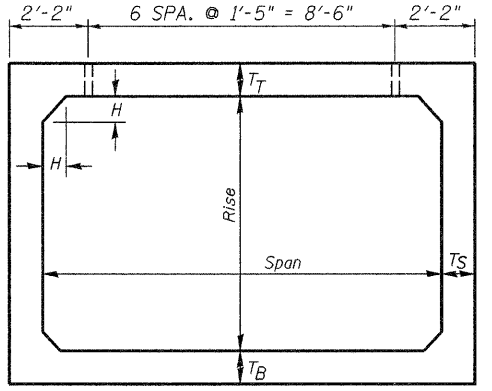
STATE OF ILLINOIS  
DEPARTMENT OF TRANSPORTATION

ROUTE NO.	SECTION	COUNTY	TOTAL SHEETS	SHEET NO.	SHEET NO. S4 S7 SHEETS
F.A.P. 649	(107) BR	LASALLE	24	15	
FED. ROAD DIST. NO. 7		ILLINOIS	FED. AID PROJECT		

Contract # 66844

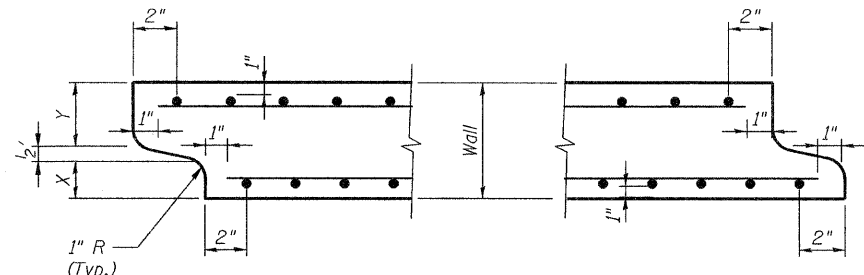


Note: Location of lifting holes may be varied as needed to clear reinforcement.



Note: The haunch dimension h, is equal to the wall thickness t<sub>s</sub>.

TYPICAL BOX SECTION



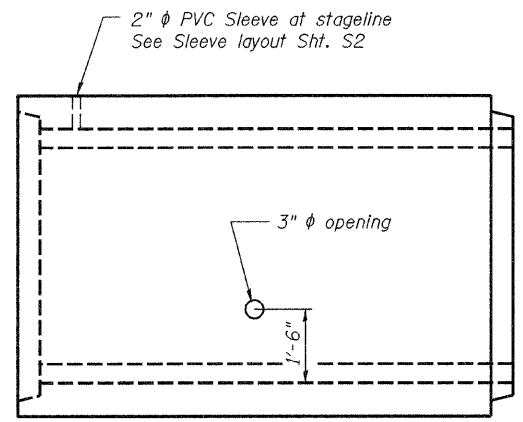
DETAIL A  
(typ. inlet end)

DETAIL B  
(typ. outlet end)

End detail is subject to variation by fabricator.

Note: Inlet and Outlet ends shall be compatible.

PLAN

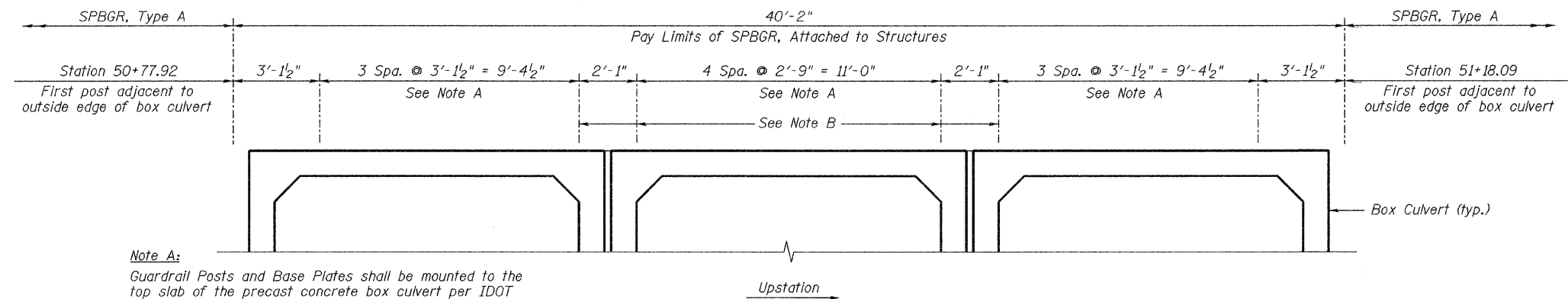


ELEVATION

Span, Feet	T <sub>T</sub> , inches		T <sub>B</sub> , inches		T <sub>S</sub> , inches	
	M 259	M 273	M 259	M 273	M 259	M 273
3	4	7	4	6	4	4
4	5	7½	5	6	5	5
5	6	8	6	7	6	6
6	7	8	7	7	7	7
7	8	8	8	8	8	8
8	8	8	8	8	8	8
9	9	9	9	9	9	9
10	10	10	10	10	10	10
11	11	11	11	11	11	11
12	12	12	12	12	12	12

TYPICAL THICKNESSES

GENERAL NOTES:  
Minimum cover for box culverts shall be 6".



Note A:  
Guardrail Posts and Base Plates shall be mounted to the top slab of the precast concrete box culvert per IDOT Highway Standard 630101-07 (Case IV) unless noted otherwise.

Note B:  
The Base Plates shall be anchored to the top slab of the box culvert using 4 - 1" dia. Anchor Bolts & Expansion Shells or Multi-Unit type with standard washer. The minimum embedment into the concrete shall be 12". Cost is included with "SPBGR, Attached to Structures".

DESIGNED -	MRB
CHECKED -	HMA
DRAWN -	VH
CHECKED -	MRB

GUARDRAIL ATTACHED TO STRUCTURES  
POST & BASE PLATE LAYOUT

**benesch**  
alfred benesch & company  
Engineers • Surveyors • Planners  
206 North Michigan Avenue, Suite 2400  
Chicago, Illinois 60601  
312-565-0450  
Job # 3838.01

PRECAST CONCRETE BOX SECTION  
ILLINOIS 17 OVER SOUTH BRANCH  
OF MOON CREEK  
F.A.P. ROUTE 649 SEC. NO. (107) BR  
LASALLE COUNTY  
STATION 50+98.00  
STRUCTURE NO. 050-2044