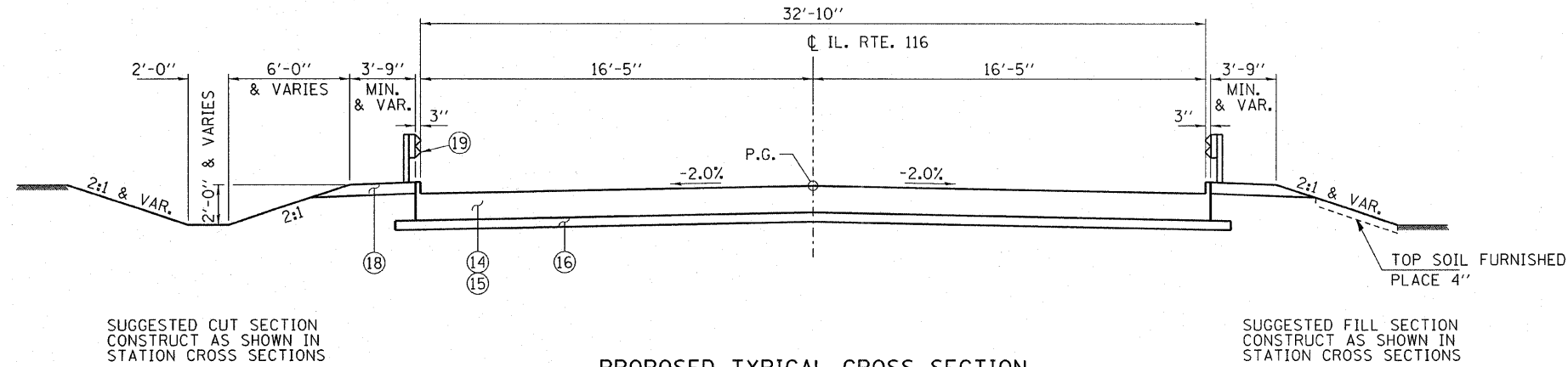


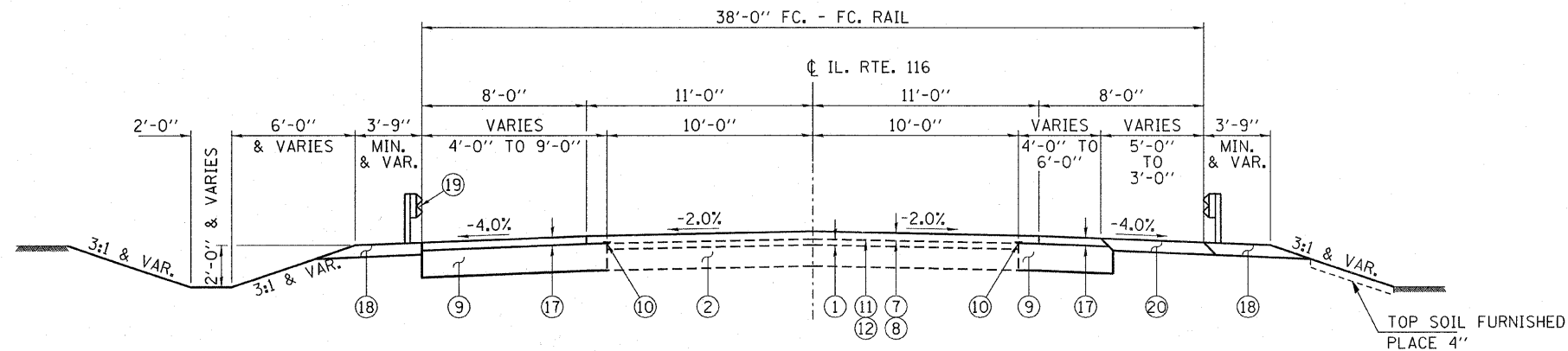
ROUTE NO.	SECTION	COUNTY	TOTAL SHEETS	SHEET NO.
F.A.P. 665	(144-B)BR	FULTON	67	9
FED. ROAD DIST. NO.		ILLINOIS CONTRACT NO. 68091		

LEGEND

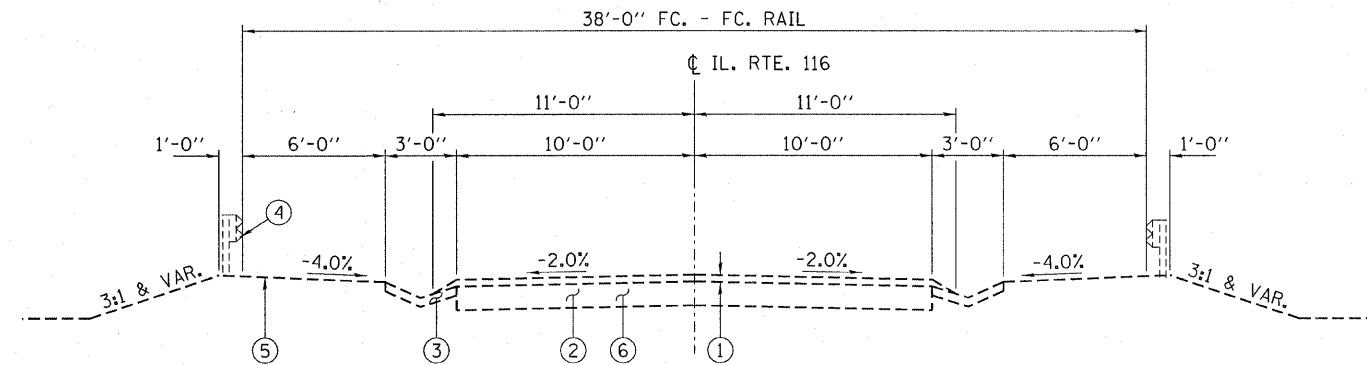
- ① EXISTING BITUMINOUS PAVEMENT (3" +/-)
- ② EXISTING AGGREGATE BASE COURSE STA 570+00 TO STA 574+00
- ③ EXISTING TYPE A GUTTER
- ④ EXISTING STEEL PLATE BEAM GUARDRAIL
- ⑤ EXISTING EARTH SHOULDERS
- ⑥ EXISTING PCC/ HMA PAVEMENT
- ⑦ HOT-MIX ASPHALT SURFACE COURSE, MIX D, N50 (1 1/2" THICKNESS MIN.)
- ⑧ LEVELING BINDER (MACHINE METHOD) N50 (1.5" THICKNESS)
- ⑨ HOT-MIX ASPHALT BASE COURSE (10" THICKNESS)
- ⑩ STRIP REFLECTIVE CRACK CONTROL TREATMENT
- ⑪ BITUMINOUS MATERIALS (PRIME COAT)
- ⑫ AGGREGATE (PRIME COAT)
- ⑬ HOT-MIX ASPHALT SURFACE REMOVAL, BUTT-JOINT
- ⑭ BRIDGE APPROACH PAVEMENT
- ⑮ BRIDGE APPROACH PAVEMENT CONNECTOR (FLEXIBLE)
- ⑯ SUB-BASE GRANULAR MATERIAL, TYPE A 4" (SEE STD 420401)
- ⑰ HOT-MIX ASPHALT SHOULDERS 3"
- ⑱ GUARDRAIL AGGREGATE EROSION CONTROL
- ⑲ STEEL PLATE BEAM GUARDRAIL TYPE A
- ⑳ HOT-MIX ASPHALT SHOULDERS 6"



PROPOSED TYPICAL CROSS SECTION
 STA. 570+45.75 TO STA. 570+51.75 (FLEXIBLE PAVEMENT CONNECTOR)
 STA. 570+51.75 TO STA. 570+81.75 (BRIDGE APPROACH PAVEMENT)
 STA. 571+83.25 TO STA. 572+13.25 (BRIDGE APPROACH PAVEMENT)
 STA. 572+13.25 TO STA. 572+19.25 (FLEXIBLE PAVEMENT CONNECTOR)



PROPOSED TYPICAL CROSS SECTION
 STA. 567+05.00 TO STA. 570+45.75
 STA. 572+19.25 TO STA. 574+50.00



EXISTING TYPICAL CROSS SECTION
 STA. 567+00 TO 577+00

PAVEMENT DESIGN	
DESIGN PERIOD:	20 YEARS 80,000 LB. LOAD LIMIT
STRUCTURAL DESIGN TRAFFIC (S.D.T.):	2984 YEAR 2016
P.V. =	2536 S.U. = 209 M.U. = 239
ROAD/STREET CLASSIFICATION:	CLASS II ROAD
PERCENT OF S.D.T. IN DESIGN LANE	
P =	50% S = 50% M = 50%
TRAFFIC FACTOR =	ACTUAL TF 1.16 AC TYPE 64-22
	MINIMUM TF
PG GRADE:	BINDER = 64-22 SURFACE = 64-22
SUBGRADE SUPPORT RATING:	
SSR =	POOR (STA. 570+05 TO STA. 574+00)

HAMPTON, LENZINI & RENWICK, INC.
 CIVIL & STRUCTURAL ENGINEERS
 LAND SURVEYORS

HLR

3085 STEVENSON DRIVE, SUITE 201
 SPRINGFIELD, ILLINOIS 62703
 (217) 546-3400

ELGIN • SPRINGFIELD

PROJECT NUMBER: 12-37-0003-1 DATE: 07/31/08
 DESIGNED: L.F.S. CHECKED: S.W.M. DRAWN: D.T.M.

TYPICAL CROSS SECTIONS
 F.A.P. ROUTE 665 (IL 116) OVER LITTLERS CREEK
 SECTION (144-B) BR
 FULTON COUNTY