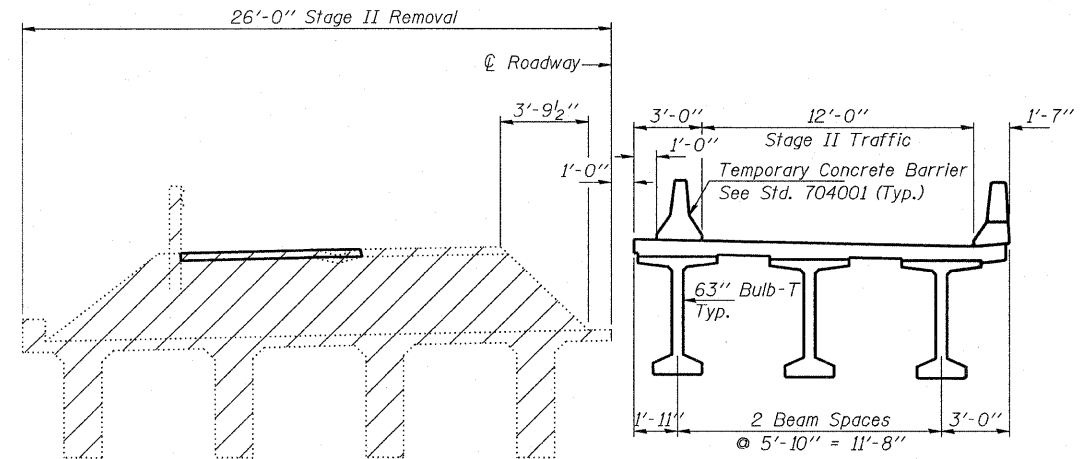
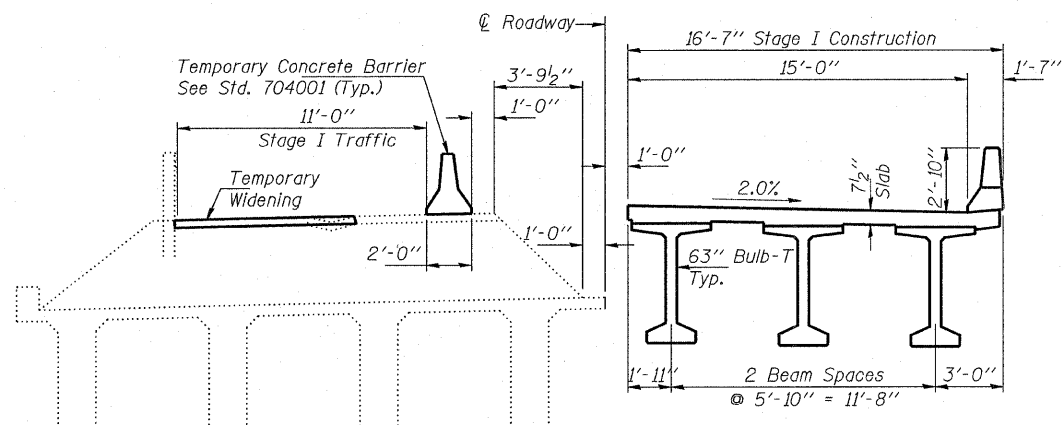


STAGE I REMOVAL

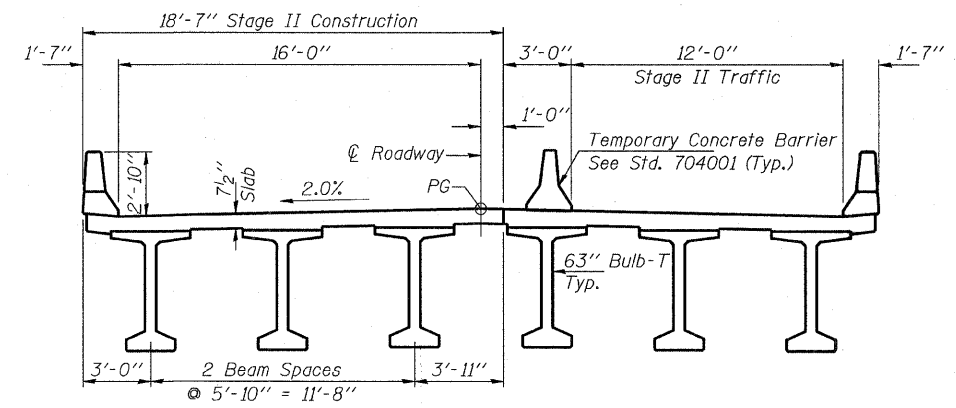


STAGE II REMOVAL



STAGE I CONSTRUCTION

Note: All sections are looking east.
 Hatched areas indicate removal.



STAGE II CONSTRUCTION

DESIGNED - P.S.L.
CHECKED - M.D.C.
DRAWN - D.A.B.
CHECKED - M.D.C.

**STAGE CONSTRUCTION DETAILS
 STRUCTURE NO. 029-0066**

HAMPTON, LENZINI & RENWICK, INC. CIVIL & STRUCTURAL ENGINEERS LAND SURVEYORS 3085 STEVENSON DRIVE, SUITE 201 SPRINGFIELD, ILLINOIS 62703 (217) 546-3400 PROJECT NUMBER: 12-37-0003-i DATE: 07/31/08	SHEET NO. 4	F.A.P.	SECTION	COUNTY	TOTAL SHEETS	SHEET NO.
	20 SHEETS	665	(144-B)BR	FULTON	67	20
		IL 116 OVER LITTLERS CREEK			CONTRACT NO. 68091	
		FED. ROAD DIST. NO. 4 ILLINOIS			FED. AID PROJECT	