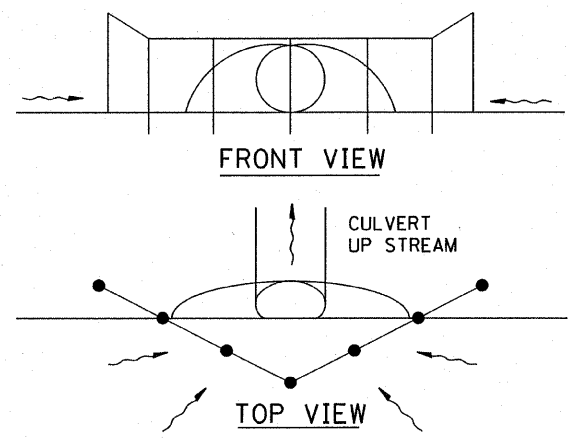
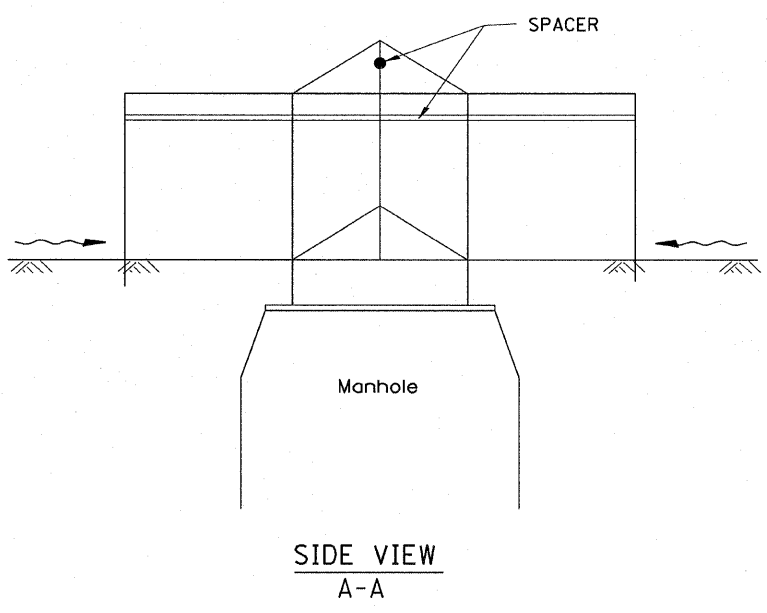


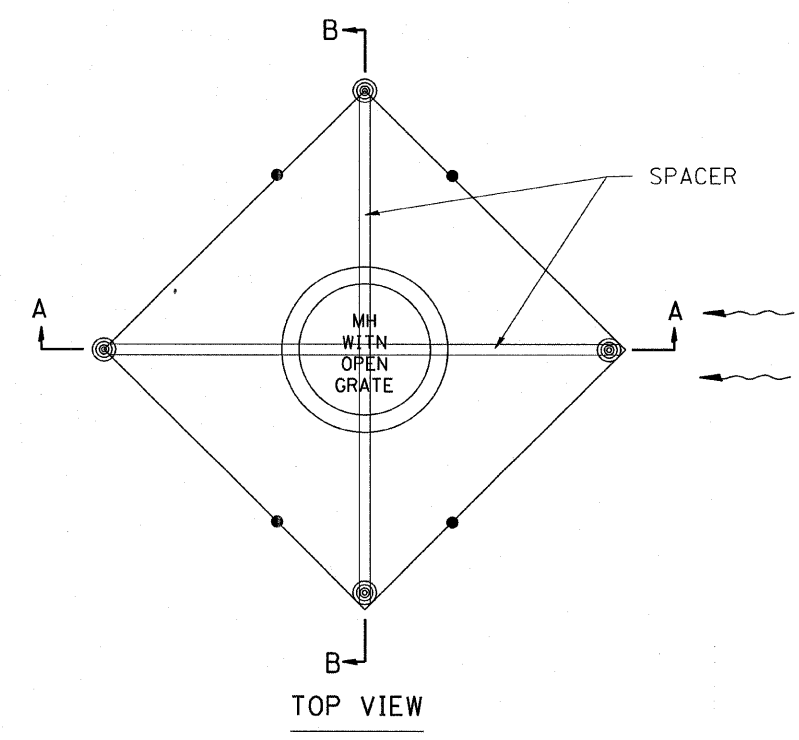
| F.A.P. RTE. | SECTION | COUNTY | TOTAL SHEETS | SHEET NO. |
|---------------------|-----------|----------|------------------|-----------|
| 665 | (144-B)BR | FULTON | 67 | 38 |
| STA. | | TO STA. | | |
| FED. ROAD DIST. NO. | | ILLINOIS | FED. AID PROJECT | |



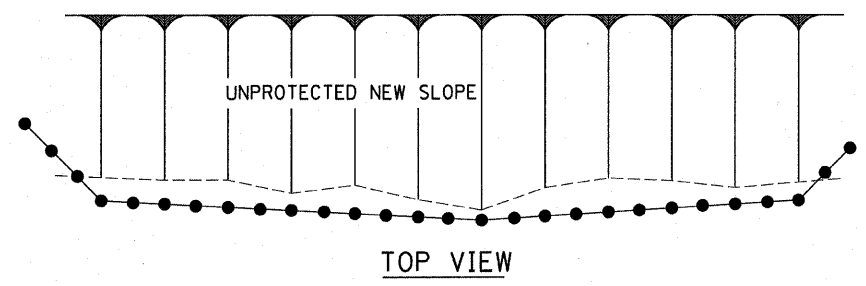
UPSTREAM PIPE CULVERT EROSION CONTROL



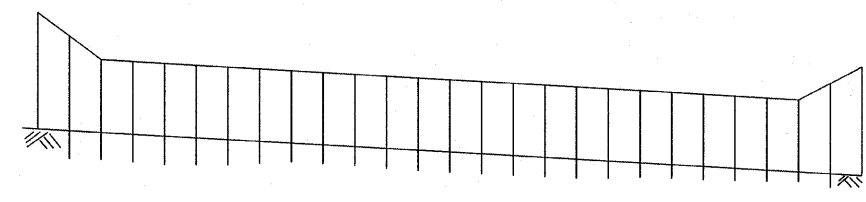
SIDE VIEW
A-A



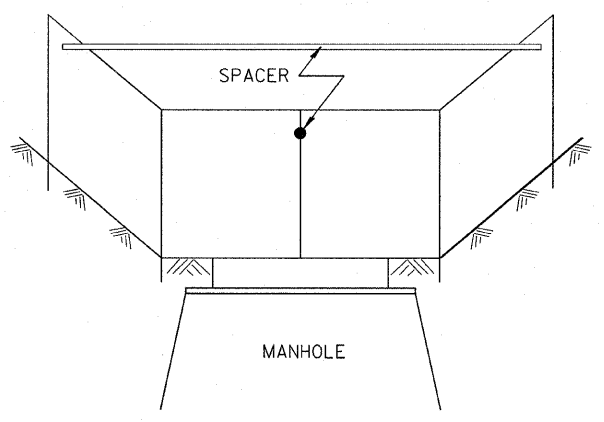
TOP VIEW



TOP VIEW



FRONT VIEW



Front View
B-B

EROSION CONTROL
AT
OPEN GRATE MAN HOLE

GENERAL NOTES:

1. This work shall be performed in accordance with Sections 280 & 1081, of the Standard Specifications.
2. Additional Timber or Metal Post shall be installed, as needed.

All dimensions are in inches (millimeters) unless otherwise noted.

| DATE | REVISIONS | BY |
|---------|-----------------------------------|--------|
| 1-1-97 | RENUM. A-12.05, NEW REVISION BOX | T.P. |
| 3-11-03 | ELIMINATED SILT FENCE DITCH CHECK | M.M.A. |
| | | |
| | | |
| | | |
| | | |

ILLINOIS DEPARTMENT OF TRANSPORTATION
 SPECIAL DETAIL SHEET
 TYPICAL APPLICATION
 OF
 SILT FILTER FENCE
 CADD DETAIL 280001-D4
 SCALE: NOT DRAWN TO SCALE
 DRAWN BY CADD
 CHECKED BY

Designer NOTES:
 1. Designer to modify this Special Detail sheet, as needed, for inclusion in plans.
 2. Include Highway Standard 280001 "TEMPORARY EROSION CONTROL SYSTEM."