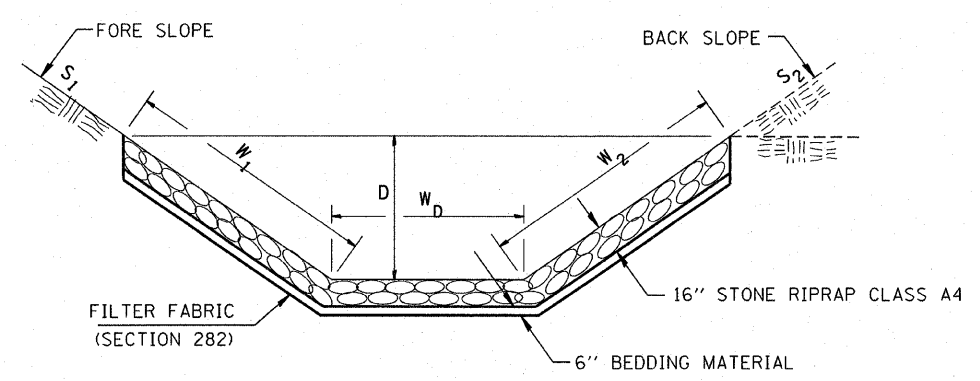


F.A.P. RTE.	SECTION	COUNTY	TOTAL SHEETS	SHEET NO.
665	(144-B)BR	FULTON	67	39
STA.		TO STA.		
FED. ROAD DIST. NO.	ILLINOIS	FED. AID PROJECT		

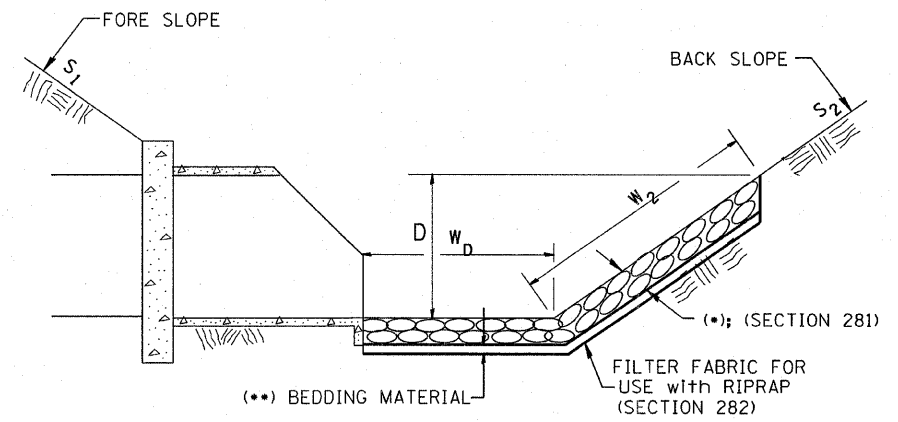
**CASE 1  
(DITCH)**



STONE RIPRAP CLASS A4				
LOCATION	WIDTH (1)	LENGTH	RIPRAP	FABRIC
STA TO STA	lin ft (m)	lin ft (m)	tons (m tons)	sq yds (m <sup>2</sup> )
LT. STA. 570+18 TO LT. STA. 571+35	12	117	81	160
LT. STA. 569+95 TO LT. STA. 570+60	12	95	66	130
<b>TOTAL</b>			<b>147</b>	<b>290</b>

(1) WIDTH =  $W_1 + W_2 + W_D$

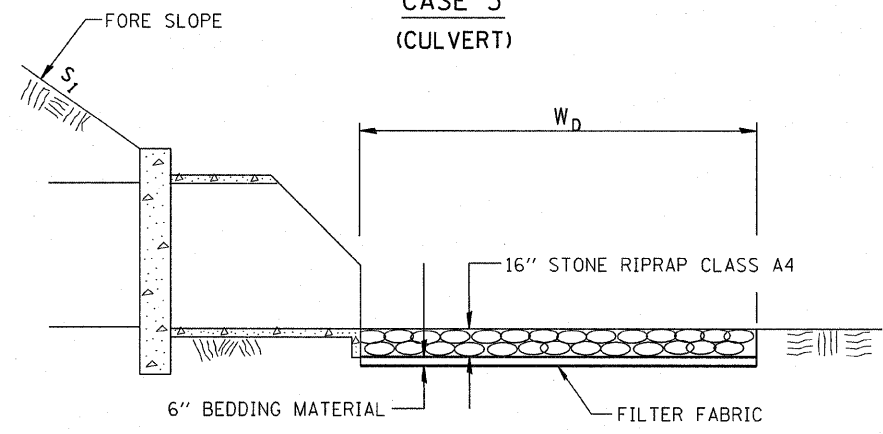
**CASE 2  
(CULVERT & SLOPE)**



(*)				
LOCATION	WIDTH (1)	LENGTH	RIPRAP	FABRIC
STA TO STA	lin ft (m)	lin ft (m)	tons (m tons)	sq yds (m <sup>2</sup> )
<b>TOTAL</b>				

(1) WIDTH =  $W_2 + W_D$

**CASE 3  
(CULVERT)**



STONE RIPRAP CLASS A4				
LOCATION	WIDTH (1)	LENGTH	RIPRAP	FABRIC
STA TO STA	lin ft (m)	lin ft (m)	tons (m tons)	sq yds (m <sup>2</sup> )
RT. STA. 571+97.25	8	8	5.5	7
LT. STA. 571+97.25	8	8	5.5	7
<b>TOTAL</b>			<b>11</b>	<b>14</b>

(1) WIDTH =  $W_D$

All slope ratios are expressed as units of vertical displacement to units of horizontal displacement (V:H).  
All dimensions are in inches (millimeters) unless otherwise noted.

ILLINOIS DEPARTMENT OF TRANSPORTATION  
**SPECIAL DETAIL SHEET**  
**RIPRAP DITCH FOR EROSION PROTECTION**  
CADD DETAIL 281001-D4  
SCALE: NOT DRAWN TO SCALE  
DRAWN BY CADD  
CHECKED BY

DATE	REVISIONS	BY
1-1-97	RENUM. A-12.02. NEW REVISION BOX	T.P.
12-1-97	CORRECT FILTER FABRIC LEADER ARROW	J.A.
10-16-06	REVISED TO 2007 SPEC.	M.A.

- 2. (\*) Designer to specify pay item including material, quality, and gradation.
- 3. (\*\*) Designer to specify thickness of bedding material.
- 4. Include District Special Provision if needed.