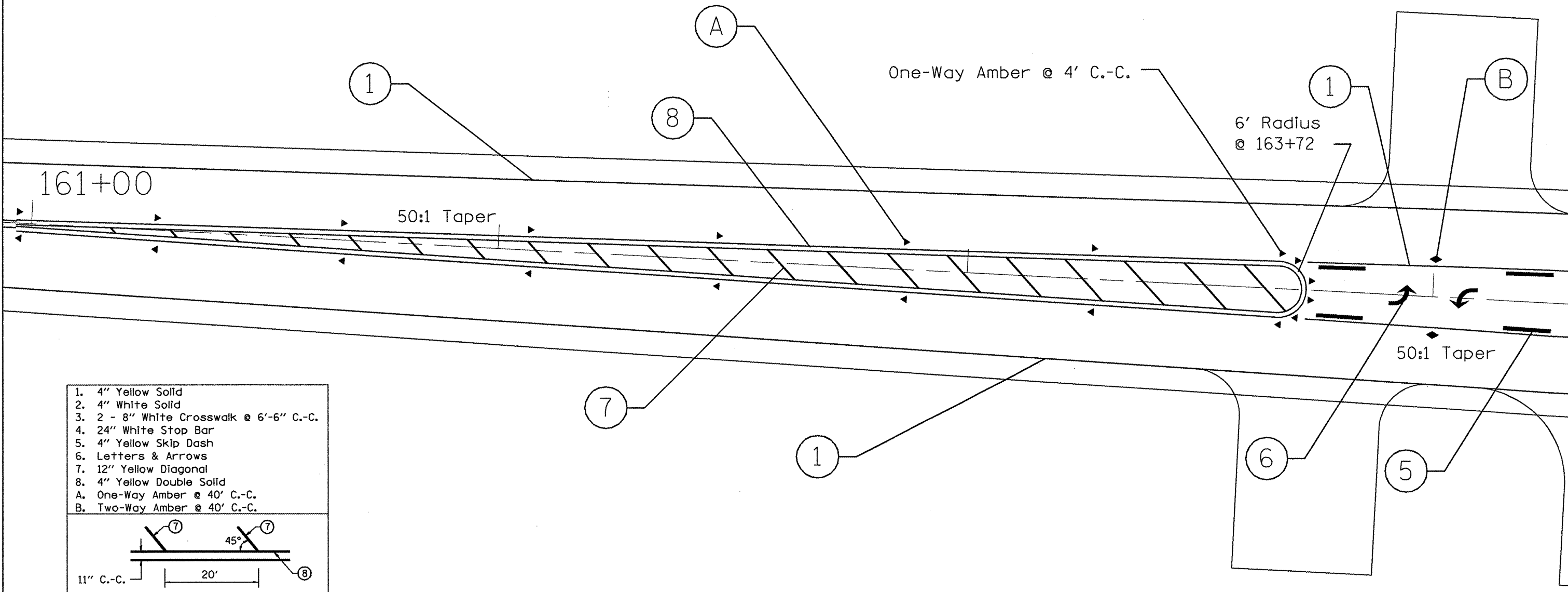
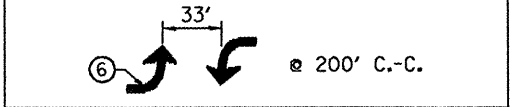
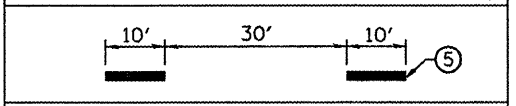
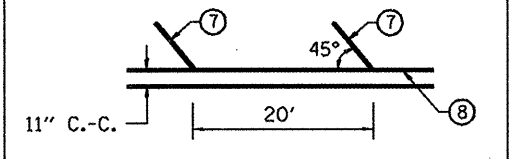


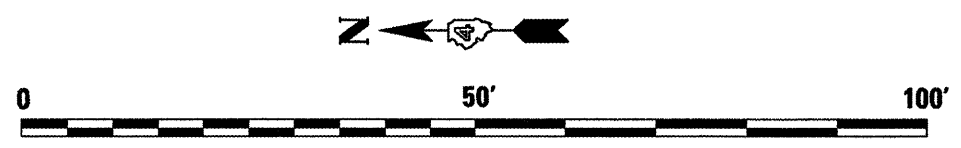
F.A.P. RTE.	SECTION	COUNTY	TOTAL SHEETS	SHEET NO.
22	135W-2; RS-5	FULTON	282	109
STA.		TO STA.		
FED. ROAD DIST. NO.		ILLINOIS FED. AID PROJECT		



- 1. 4" Yellow Solid
- 2. 4" White Solid
- 3. 2 - 8" White Crosswalk @ 6'-6" C.-C.
- 4. 24" White Stop Bar
- 5. 4" Yellow Skip Dash
- 6. Letters & Arrows
- 7. 12" Yellow Diagonal
- 8. 4" Yellow Double Solid
- A. One-Way Amber @ 40' C.-C.
- B. Two-Way Amber @ 40' C.-C.



Note: See Highway Standard 780001 for additional information.



REVISIONS	
NAME	DATE

ILLINOIS DEPARTMENT OF TRANSPORTATION

Pavement Markings Detail

SCALE: VERT. _____
HORIZ. _____

DATE _____ DRAWN BY _____
CHECKED BY _____

PLOT DATE = 6/19/2008
 FILE NAME = s:\projects\178\station\general.dgn
 PLOT SCALE = 21.2897 / IN.
 REFERENCE = WEP#