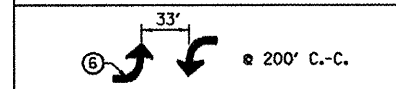
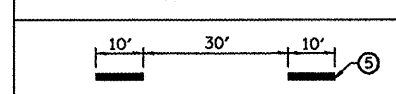
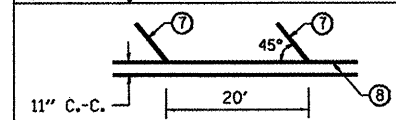
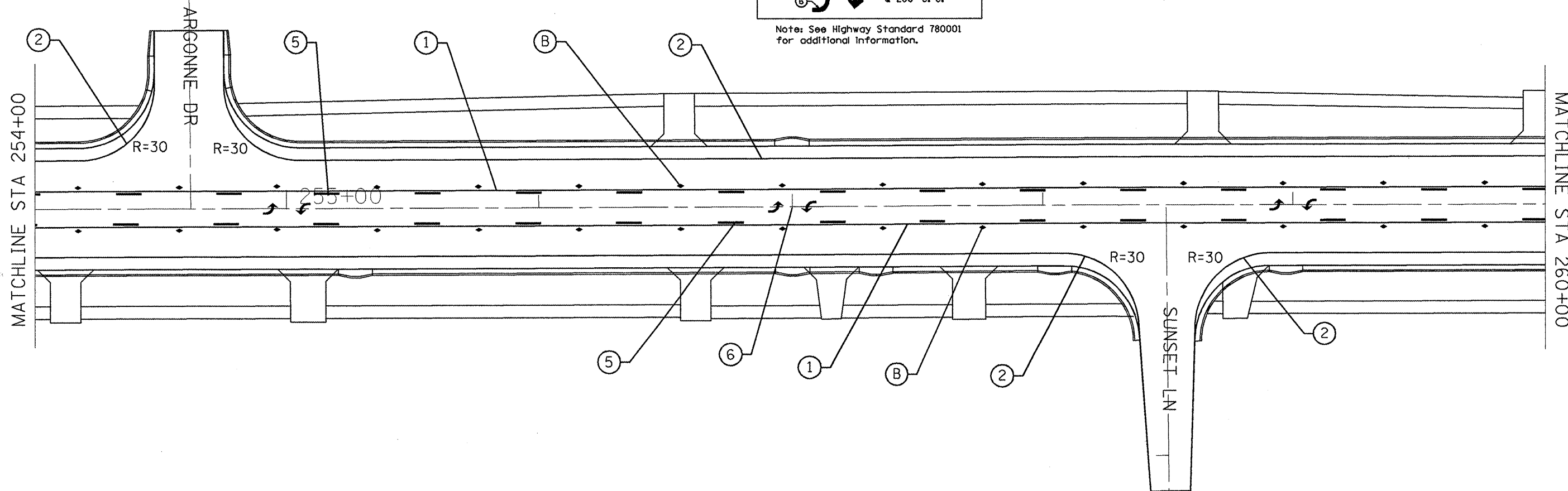
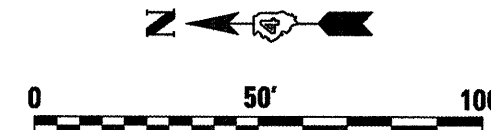


F.A.P. RTE.	SECTION	COUNTY	TOTAL SHEETS	SHEET NO.
22	135W-2; RS-5	FULTON	282	114
STA.		TO STA.		
FED. ROAD DIST. NO.	ILLINOIS	FED. AID PROJECT		

1. 4" Yellow Solid
2. 4" White Solid
3. 2 - 8" White Crosswalk @ 6'-6" C.-C.
4. 24" White Stop Bar
5. 4" Yellow Skip Dash
6. Letters & Arrows
7. 12" Yellow Diagonal
8. 4" Yellow Double Solid
- A. One-Way Amber @ 40' C.-C.
- B. Two-Way Amber @ 40' C.-C.



Note: See Highway Standard 780001 for additional information.



PLT DATE = 8/18/2008
 FILE NAME = c:\projects\176\gencon\general2.dgn
 PLT SCALE = 42:4874' / 1" IN.
 REFERENCE = WIER9

REVISIONS	
NAME	DATE

ILLINOIS DEPARTMENT OF TRANSPORTATION

Pavement Markings

SCALE: VERT.
 HORIZ.
 DATE

DRAWN BY
 CHECKED BY